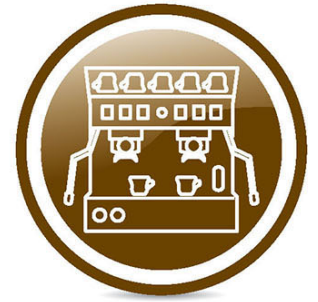




Spare parts for:

## Espresso machines



Suitable for:

# GAGGIA



This catalogue is automatically generated.  
Therefore, the sequence of the items might  
not be always shown at best.  
Updates will be issued in case of additions  
and/or amendments.

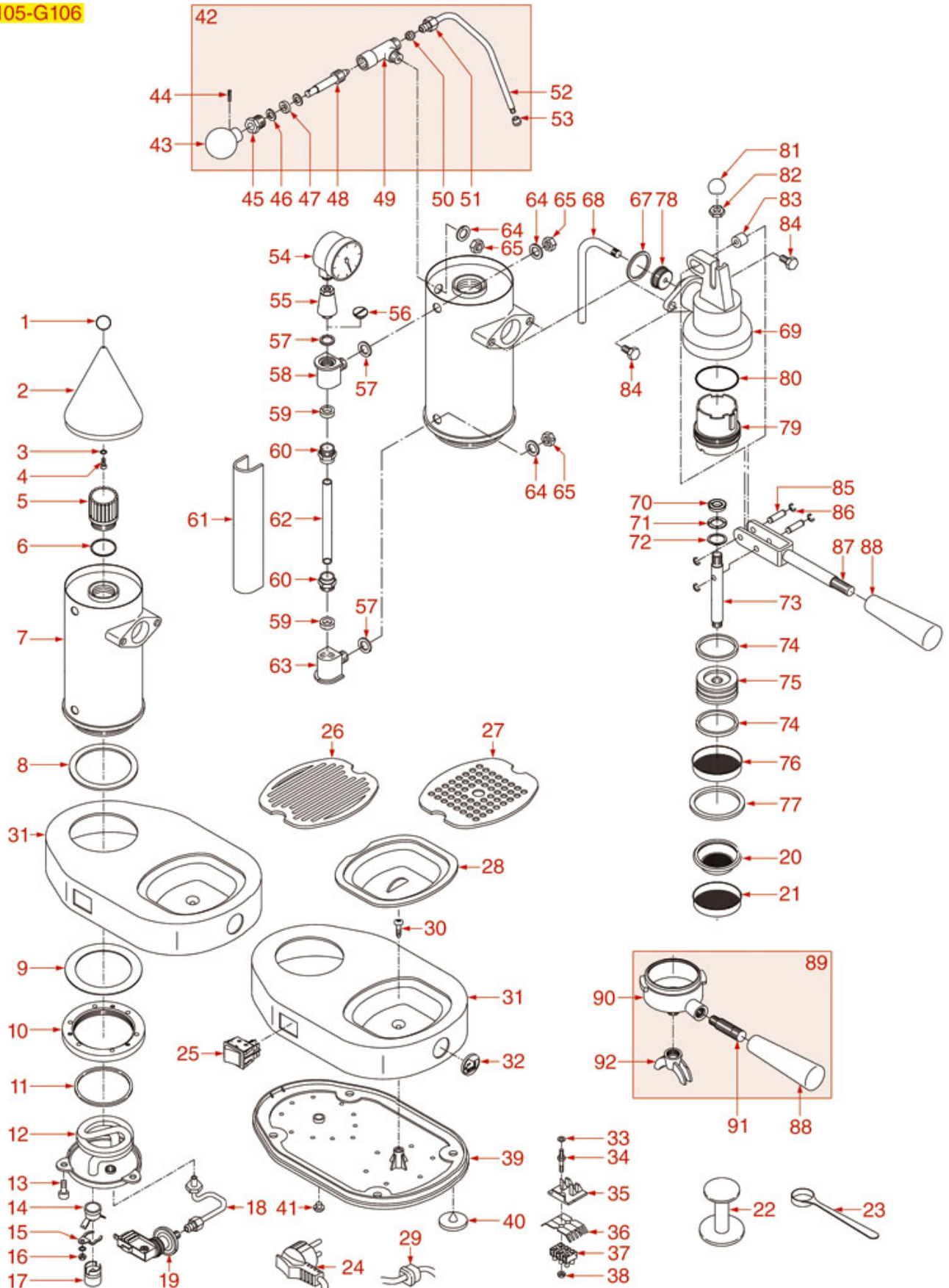
*Suitable **universal spare parts** may not be included*





## COFFEE MACHINE MOD. G105-G106

G105-G106





# GAGGIA



| Position | LF code no. | Description                                  |
|----------|-------------|--|
| 3        | 1348814     | S/STEEL COGGED WASHER M4 UNI 8842            |
| 6        | 1186480     | EPDM O RING 04112                            |
| 8        | 1186483     | BOILER GASKET $\varnothing$ 93x80x2 mm       |
| 8        | 5501123     | BOILER GASKET $\varnothing$ 108x80x2 mm      |
| 9        | 5501123     | BOILER GASKET $\varnothing$ 108x80x2 mm      |
| 11       | 1186641     | O-RING 0176 EPDM                             |
| 12       | 1755050     | HEATING ELEMENT 920/1000W 230/240V           |
| 12       | 1755166     | HEATING ELEMENT 1000W 110V                   |
| 13       | 1184012     | S/STEEL SCREW T.C.C.E.I. M5x10 UNI 5931      |
| 14       | 1443007     | CONTACT THERMOSTAT 127°C 16A 250V            |
| 15       | 3528004     | HEXAGONAL SCREW WASHER M4 - 100 PCS          |
| 16       | 3528003     | BRASS NUT M4 - 100 PIECES                    |
| 18       | 1449122     | PRESSURE SWITCH PIPE                         |
| 19       | 1320002     | PRESSURE SWITCH 0.5-1.2 BAR 1/4"             |
| 20       | 1160113     | 1 CUP FILTER                                 |
| 21       | 1160013     | 2 CUPS FILTER                                |
| 22       | 1385002     | NYLON COFFEE TAMPER $\varnothing$ 50/57 mm   |
| 23       | 1069001     | PLASTIC MEASURING SPOON 20 ml                |
| 24       | 5008206     | SCHUKO POWER CABLE 230V 1400 mm              |
| 25       | 1319128     | RED BIPOLAR SWITCH 16A 250V                  |
| 25       | 3319944     | GREEN BIPOLAR SWITCH 16A 250V                |
| 26       | 1185002     | PLASTIC CUP SUPPORT GRID                     |
| 27       | 1185001     | CHROME-PLATED STEEL CUP SUPPORT GRID         |
| 28       | 1015001     | PLASTIC TRAY                                 |
| 29       | 5008195     | SELF-LOCKING GROMMET                         |
| 31       | 5014758     | CHROME PLATED BASE                           |
| 39       | 1015007     | UNDERBASE TRAY                               |
| 40       | 1313003     | FOOT $\varnothing$ 30 mm                     |
| 46       | 1186474     | FLAT NBR GASKET $\varnothing$ 12x7x5 mm      |
| 47       | 1528029     | BRASS WASHER $\varnothing$ 12x7x1 mm         |
| 48       | 5027689     | STEAM TAP PIN                                |
| 57       | 1186468     | EFLON FLAT GASKET $\varnothing$ 17x12x1.5 mm |
| 59       | 1186469     | FLAT SILICONE GASKET $\varnothing$ 15x9x5 mm |
| 61       | 1201016     | PROTECTION FOR LEVEL GLASS                   |
| 62       | 1520007     | LEVEL GLASS $\varnothing$ 9x132 mm           |
| 64       | 1528025     | BRASS WASHER $\varnothing$ 17x12x1 mm        |
| 65       | 1528027     | NUT M12                                      |
| 67       | 3186247     | O-RING 03112 EPDM                            |
| 68       | 5027687     | SUCTION PIPE                                 |
| 70       | 1186470     | LIP SEAL $\varnothing$ 21x11x4.5 mm          |
| 71       | 1528024     | BORED WASHER                                 |
| 72       | 1348050     | STAINLESS ST.SPRING RING J-20 UNI 7437       |
| 73       | 5501148     | PISTON TIE ROD FOR GROUP                     |
| 74       | 1186467     | LIP SEAL $\varnothing$ 44x36x5.5 mm          |
| 75       | 1321002     | PISTON FOR LEVER GROUP                       |
| 76       | 1081020     | SHOWER $\varnothing$ 54 mm                   |
| 78       | 5501139     | DELIVERY GROUP CAP WITH JACKET               |
| 79       | 5029493     | JACKET FOR COFFEE GROUP                      |
| 80       | 1186087     | O-RING 0152 EPDM                             |
| 83       | 1192015     | ARTICULATION BUSHING                         |
| 85       | 1324092     | FORK PIN                                     |
| 86       | 1250023     | STAINLESS STEEL CIRCLIP RA-5 UNI 7437        |
| 87       | 5032977     | GROUP CONTROL LEVER                          |
| 88       | 1241055     | FILTER HOLDER KNOB M12                       |
| 89       | 1165018     | 2 CUPS FILTER HOLDER ASSEMBLY PAVONI/GA      |
| 92       | 1022524     | DOUBLE SPOUT $\varnothing$ 3/8"              |

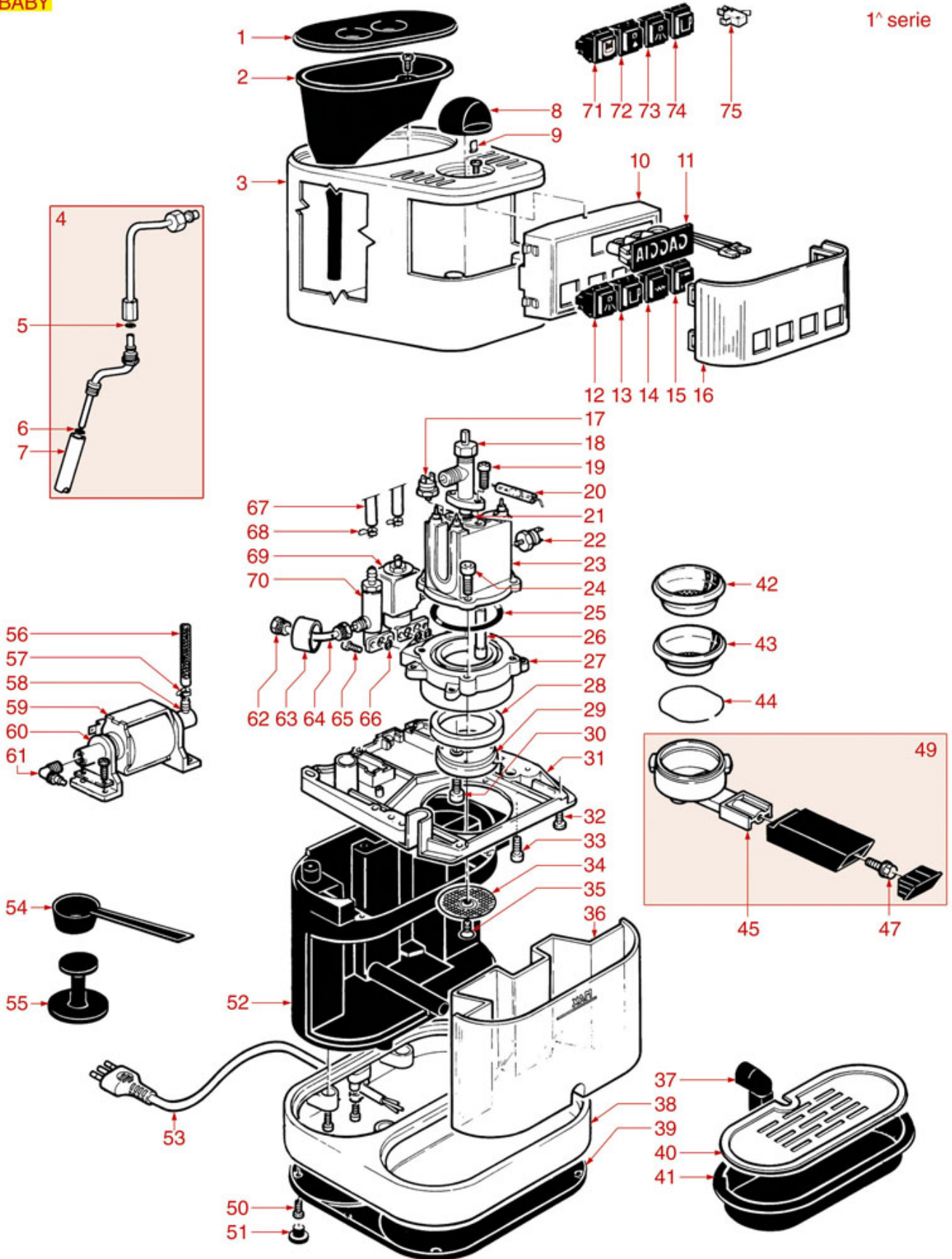




## COFFEE MACHINE MOD. BABY

**BABY**

1<sup>a</sup> serie







# GAGGIA

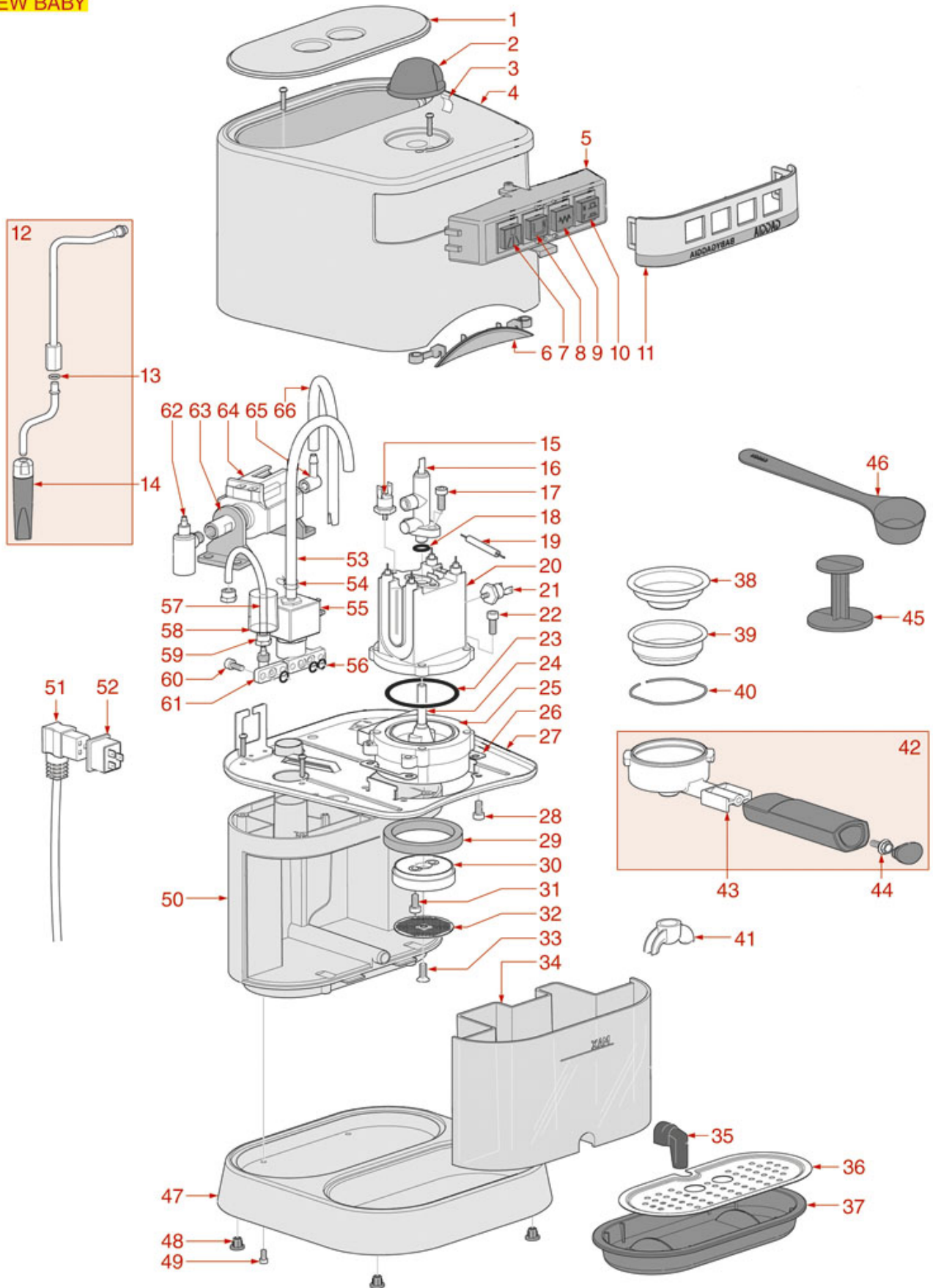


| Position | LF code no. | Description                                       |
|----------|-------------|---|
| 17       | 1444521     | CONTACT THERMOSTAT 155°C M4                       |
| 18       | 1348116     | STEAM TAP   |
| 21       | 1186304     | O-RING 0112 EPDM                                  |
| 22       | 1443400     | CONTACT THERMOSTAT 107°C M4                       |
| 23       | 5038339     | BOILER 110/120V 570/680W                          |
| 25       | 3186454     | O-RING 0167 EPDM                                  |
| 28       | 1786216     | FILTER HOLDER GASKET $\varnothing$ 72x57x8.5 mm   |
| 29       | 5047151     | SHOWER HOLDER SPRAYER                             |
| 30       | 9528022     | SCREW M6x12                                       |
| 33       | 1184012     | S/STEEL SCREW T.C.C.E.I. M5x10 UNI 5931           |
| 34       | 1081022     | SHOWER $\varnothing$ 51.5 mm                      |
| 34       | 1081063     | SHOWER SCREEN $\varnothing$ 54.5 mm               |
| 35       | 1528501     | S/STEEL CROSS SCREW M5x12 mm UNI 7689             |
| 42       | 1160262     | 2-CUP FILTER 14 GRAMS                             |
| 43       | 1160251     | 1 CUP FILTER 6 g                                  |
| 44       | 1250101     | FILTER BLOCKING SPRING $\varnothing$ 1,00 mm INOX |
| 49       | 1165027     | FILTER HOLDER COMPLETE GAGGIA                     |
| 54       | 1069001     | PLASTIC MEASURING SPOON 20 ml                     |
| 55       | 1385002     | NYLON COFFEE TAMPER $\varnothing$ 50/57 mm        |
| 56       | 1449510     | WIRE HOSE $\varnothing$ 8.2x4.2 mm SH60 - 5 m     |
| 58       | 1349651     | PIPETTE FITTING 90°                               |
| 59       | 1122737     | VIBRATORY PUMP EP5 48W 230V 50Hz                  |
| 59       | 1122741     | VIBRATORY PUMP INVENSYS/ARS                       |
| 60       | 1331023     | SQUARE DAMPER EX-EP-EK-EA                         |
| 64       | 1449502     | TEFLON PIPE $\varnothing$ 4x6 mm - 10 m           |
| 65       | 1184012     | S/STEEL SCREW T.C.C.E.I. M5x10 UNI 5931           |
| 66       | 1186611     | O-RING 02025 RED SILICONE                         |
| 67       | 1449683     | SILICONE HOSE $\varnothing$ 5x10 SHORE 60 - 10 m  |
| 69       | 1120366     | 3-WAYS SOLENOID VALVE M&M 230/240V 50Hz           |
| 71       | 1221253     | RED INDICATOR LAMP 250V                           |
| 72       | 1319251     | RED BIPOLAR PUSH BUTTON 16A 250V                  |
| 73       | 1319252     | RED BIPOLAR PUSH BUTTON 16A 250V                  |
| 75       | 3240407     | MECHANICAL MICROSWITCH KIT 16A 250V               |



## COFFEE MACHINE MOD. NEW BABY

**NEW BABY**



GA0301

Positions without LF code no.: upon request



# GAGGIA



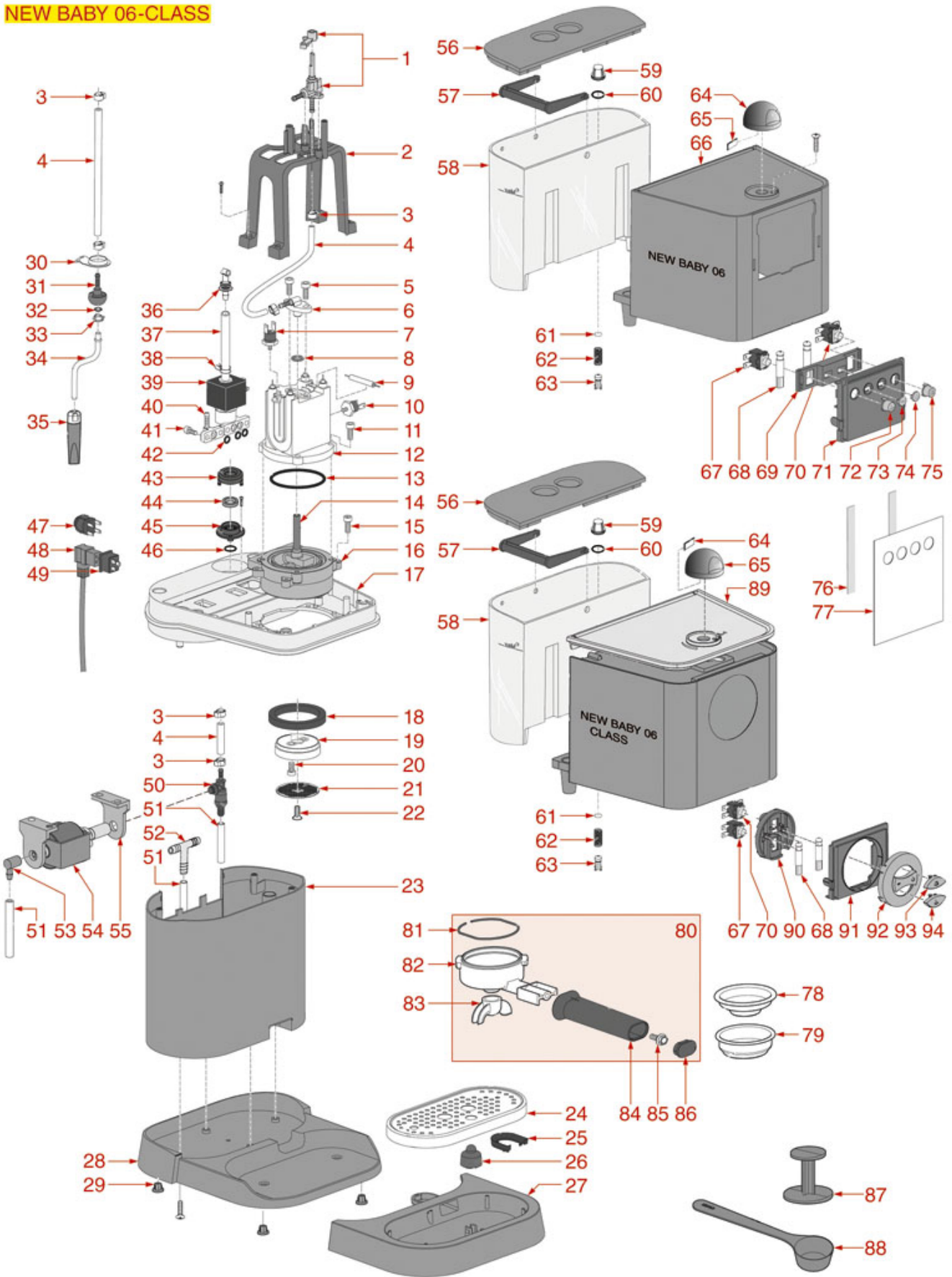
| Position | LF code no. | Description                                       |
|----------|-------------|---|
| 7        | 1319379     | GREY BIPOLAR SWITCH 16A 250V                      |
| 9        | 1221038     | INDICATOR LIGHT 24V                               |
| 13       | 3243139     | O-RING 02025 EPDM                                 |
| 14       | 5047887     | PLASTIC PANNARELLO                                |
| 15       | 1444521     | CONTACT THERMOSTAT 155°C M4                       |
| 16       | 1348116     | STEAM TAP   |
| 18       | 1186304     | O-RING 0112 EPDM                                  |
| 20       | 5038339     | BOILER 110/120V 570/680W                          |
| 21       | 1443400     | CONTACT THERMOSTAT 107°C M4                       |
| 23       | 3186454     | O-RING 0167 EPDM                                  |
| 28       | 1184012     | S/STEEL SCREW T.C.C.E.I. M5x10 UNI 5931           |
| 29       | 1786216     | FILTER HOLDER GASKET $\varnothing$ 72x57x8.5 mm   |
| 30       | 5047151     | SHOWER HOLDER SPRAYER                             |
| 31       | 9528022     | SCREW M6x12                                       |
| 32       | 1081022     | SHOWER $\varnothing$ 51.5 mm                      |
| 32       | 1081063     | SHOWER SCREEN $\varnothing$ 54.5 mm               |
| 33       | 1528501     | S/STEEL CROSS SCREW M5x12 mm UNI 7689             |
| 38       | 1160251     | 1 CUP FILTER 6 g                                  |
| 39       | 1160262     | 2-CUP FILTER 14 GRAMS                             |
| 40       | 1250101     | FILTER BLOCKING SPRING $\varnothing$ 1,00 mm INOX |
| 41       | 1022524     | DOUBLE SPOUT $\varnothing$ 3/8"                   |
| 45       | 1385002     | NYLON COFFEE TAMPER $\varnothing$ 50/57 mm        |
| 46       | 1069001     | PLASTIC MEASURING SPOON 20 ml                     |
| 53       | 1449683     | SILICONE HOSE $\varnothing$ 5x10 SHORE 60 - 10 m  |
| 55       | 1120366     | 3-WAYS SOLENOID VALVE M&M 230/240V 50Hz           |
| 56       | 1186611     | O-RING 02025 RED SILICONE                         |
| 57       | 1449502     | TEFLON PIPE $\varnothing$ 4x6 mm - 10 m           |
| 60       | 1184012     | S/STEEL SCREW T.C.C.E.I. M5x10 UNI 5931           |
| 63       | 1331023     | SQUARE DAMPER EX-EP-EK-EA                         |
| 64       | 1122737     | VIBRATORY PUMP EP5 48W 230V 50Hz                  |
| 65       | 1349651     | PIPETTE FITTING 90°                               |





## COFFEE MACHINE MOD. NEW BABY 06-CLASS

### NEW BABY 06-CLASS





# GAGGIA

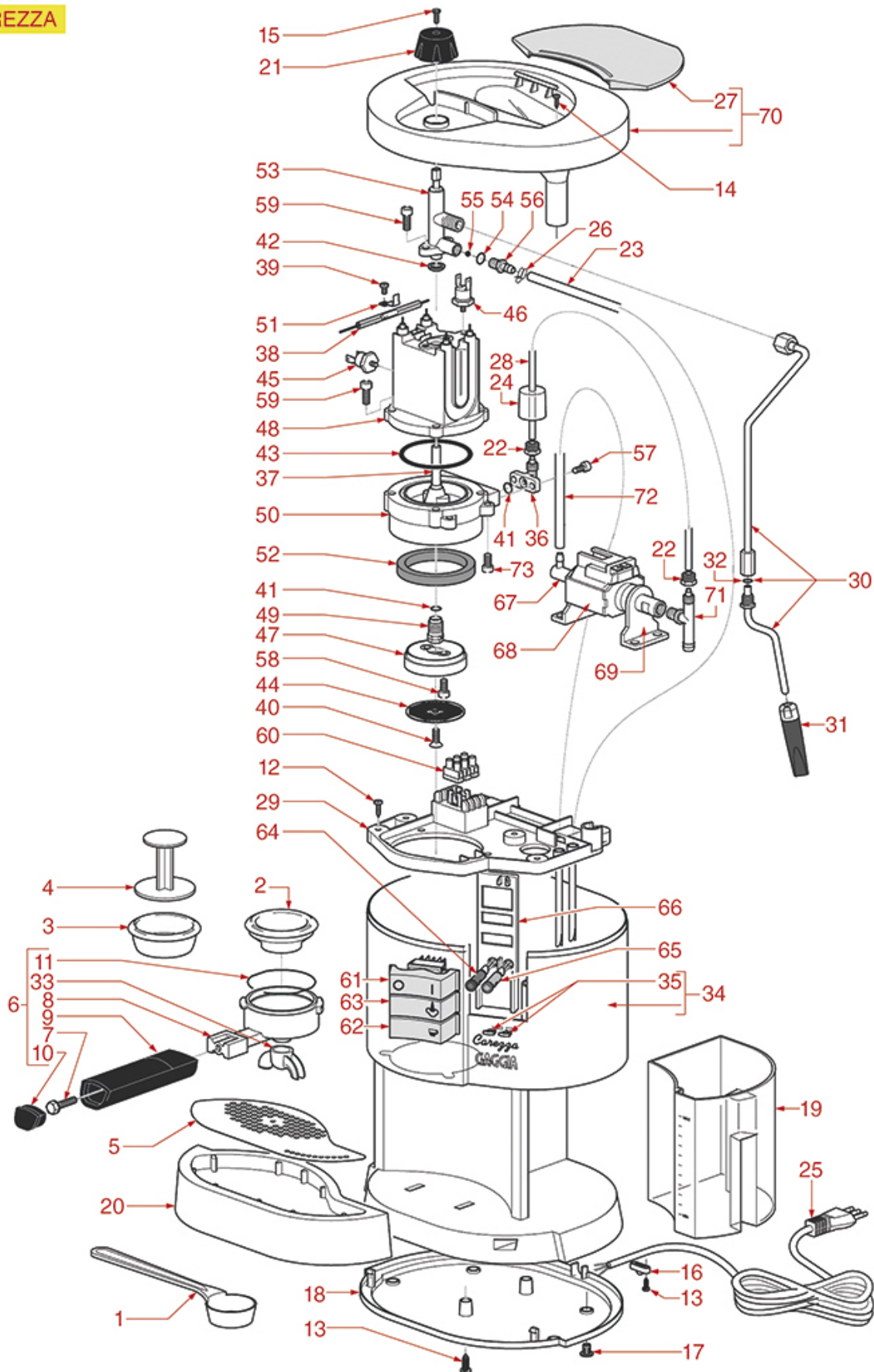


| Position | LF code no. | Description                                       |
|----------|-------------|---|
| 3        | 5035467     | HOSE CLAMP $\varnothing$ 7.8-9.5 mm               |
| 4        | 1449510     | WIRE HOSE $\varnothing$ 8.2x4.2 mm SH60 - 5 m     |
| 6        | 1349098     | "T"-COUPLING BOILER STEAM OUTLET                  |
| 7        | 1444521     | CONTACT THERMOSTAT 155°C M4                       |
| 8        | 1186304     | O-RING 0112 EPDM                                  |
| 10       | 1443400     | CONTACT THERMOSTAT 107°C M4                       |
| 12       | 5038339     | BOILER 110/120V 570/680W                          |
| 13       | 3186454     | O-RING 0167 EPDM                                  |
| 15       | 1184012     | S/STEEL SCREW T.C.C.E.I. M5x10 UNI 5931           |
| 18       | 1786216     | FILTER HOLDER GASKET $\varnothing$ 72x57x8.5 mm   |
| 19       | 5047151     | SHOWER HOLDER SPRAYER                             |
| 20       | 9528022     | SCREW M6x12                                       |
| 21       | 1081022     | SHOWER $\varnothing$ 51.5 mm                      |
| 21       | 1081063     | SHOWER SCREEN $\varnothing$ 54.5 mm               |
| 22       | 1528501     | S/STEEL CROSS SCREW M5x12 mm UNI 7689             |
| 31       | 1449174     | BALL COUPLING STEAM PIPE                          |
| 32       | 3243139     | O-RING 02025 EPDM                                 |
| 35       | 5047887     | PLASTIC PANNARELLO                                |
| 37       | 1449683     | SILICONE HOSE $\varnothing$ 5x10 SHORE 60 - 10 m  |
| 41       | 1184012     | S/STEEL SCREW T.C.C.E.I. M5x10 UNI 5931           |
| 42       | 1186611     | O-RING 02025 RED SILICONE                         |
| 43       | 1186844     | GASKET GREY COVER                                 |
| 44       | 1186700     | LIP SEAL $\varnothing$ 23x15x6 mm                 |
| 45       | 5029644     | GASKET HOLDER                                     |
| 47       | 1319376     | BLACK BIPOLAR SWITCH 16A 250V                     |
| 51       | 1449683     | SILICONE HOSE $\varnothing$ 5x10 SHORE 60 - 10 m  |
| 52       | 1315008     | T-SHAPED HOSE END FITTING $\varnothing$ 8 mm      |
| 53       | 1349651     | PIPETTE FITTING 90°                               |
| 54       | 1331026     | VIBRATORY PUMP EP5GW 48W 230V 50Hz                |
| 55       | 1331023     | SQUARE DAMPER EX-EP-EK-EA                         |
| 59       | 1160026     | WATER FILTER                                      |
| 61       | 5008675     | ORM GASKET 0060-30 BLACK SILICONE                 |
| 67       | 1319377     | BIPOLAR SWITCH 16A 250V                           |
| 70       | 1319319     | BIPOLAR SWITCH 16A 250V                           |
| 78       | 1160251     | 1 CUP FILTER 6 g                                  |
| 79       | 1160262     | 2-CUP FILTER 14 GRAMS                             |
| 81       | 1250101     | FILTER BLOCKING SPRING $\varnothing$ 1,00 mm INOX |
| 83       | 1022524     | DOUBLE SPOUT $\varnothing$ 3/8"                   |
| 84       | 5047149     | FILTER HOLDER KNOB                                |
| 86       | 5047150     | FILTER HOLDER KNOB CAP                            |
| 87       | 1385002     | NYLON COFFEE TAMPER $\varnothing$ 50/57 mm        |
| 88       | 1069001     | PLASTIC MEASURING SPOON 20 ml                     |



## COFFEE MACHINE MOD. CAREZZA

CAREZZA







# GAGGIA

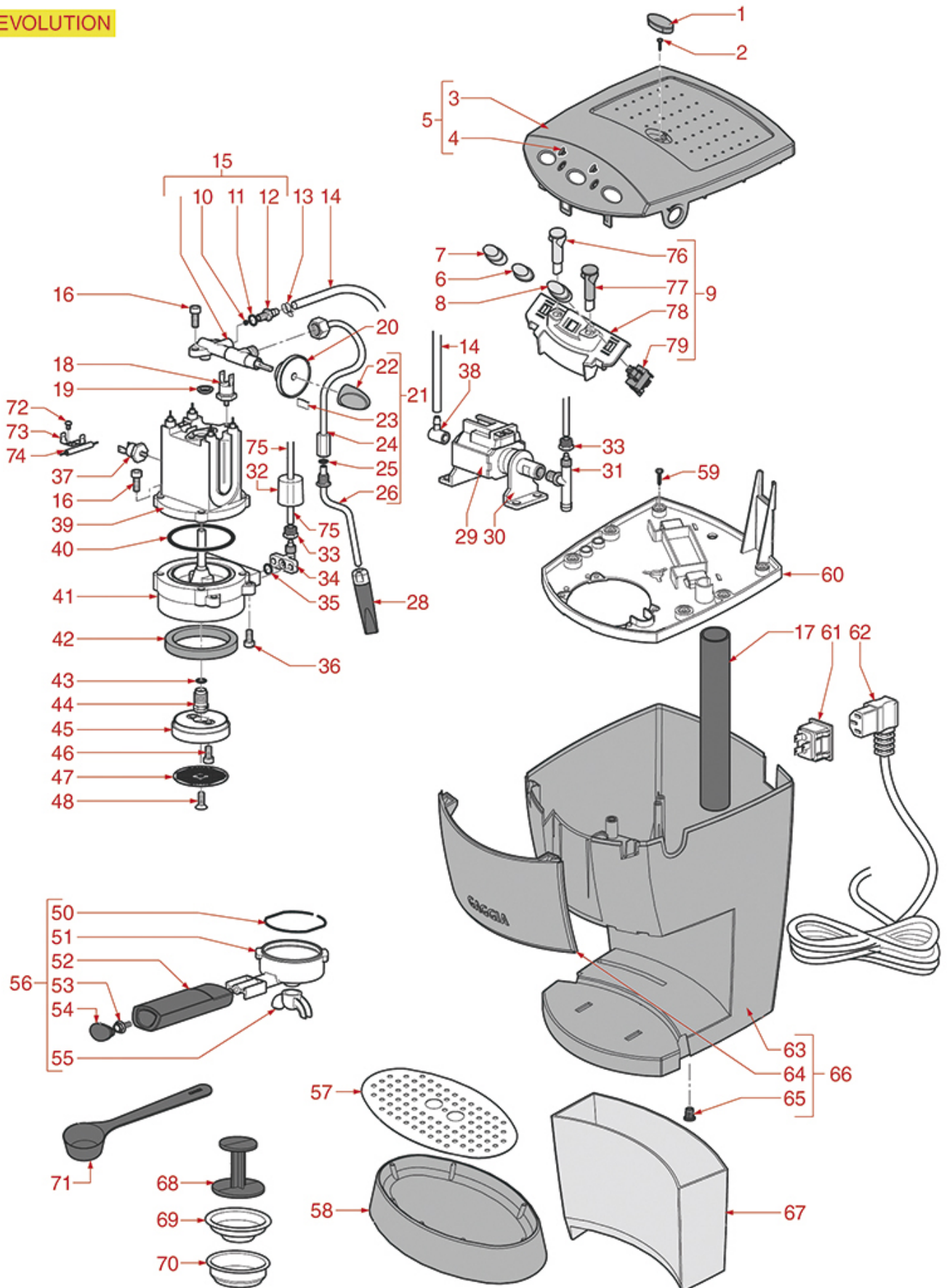


| Position | LF code no. | Description                             |
|----------|-------------|---|
| 1        | 1069001     | PLASTIC MEASURING SPOON 20 ml           |
| 2        | 1160251     | 1 CUP FILTER 6 g                        |
| 3        | 1160262     | 2-CUP FILTER 14 GRAMS                   |
| 4        | 1385002     | NYLON COFFEE TAMPER ø 50/57 mm          |
| 9        | 5047149     | FILTER HOLDER KNOB                      |
| 10       | 5047150     | FILTER HOLDER KNOB CAP                  |
| 11       | 1250101     | FILTER BLOCKING SPRING ø 1,00 mm INOX   |
| 21       | 1241159     | STEAM TAP KNOB                          |
| 23       | 1449510     | WIRE HOSE ø 8.2x4.2 mm SH60 - 5 m       |
| 31       | 5047887     | PLASTIC PANNARELLO                      |
| 32       | 3243139     | O-RING 02025 EPDM                       |
| 40       | 1528501     | S/STEEL CROSS SCREW M5x12 mm UNI 7689   |
| 41       | 1186611     | O-RING 02025 RED SILICONE               |
| 42       | 1186304     | O-RING 0112 EPDM                        |
| 43       | 3186454     | O-RING 0167 EPDM                        |
| 44       | 1081063     | SHOWER SCREEN ø 54.5 mm                 |
| 45       | 1443400     | CONTACT THERMOSTAT 107°C M4             |
| 46       | 1444521     | CONTACT THERMOSTAT 155°C M4             |
| 47       | 5047151     | SHOWER HOLDER SPRAYER                   |
| 48       | 5038339     | BOILER 110/120V 570/680W                |
| 49       | 5048106     | GROUP DIFFUSER M13x1.5                  |
| 52       | 1786216     | FILTER HOLDER GASKET ø 72x57x8.5 mm     |
| 53       | 1348113     | STEAM TAP                               |
| 57       | 1184012     | S/STEEL SCREW T.C.C.E.I. M5x10 UNI 5931 |
| 58       | 9528022     | SCREW M6x12                             |
| 62       | 1319380     | BLACK BIPOLAR SWITCH 16A 120/230V       |
| 63       | 1319329     | BLACK BIPOLAR SWITCH 16A 120/230V       |
| 67       | 1349651     | PIPETTE FITTING 90°                     |
| 68       | 1122737     | VIBRATORY PUMP EP5 48W 230V 50Hz        |
| 69       | 1331023     | SQUARE DAMPER EX-EP-EK-EA               |
| 73       | 1184012     | S/STEEL SCREW T.C.C.E.I. M5x10 UNI 5931 |



## COFFEE MACHINE MOD. EVOLUTION

**EVOLUTION**





# GAGGIA



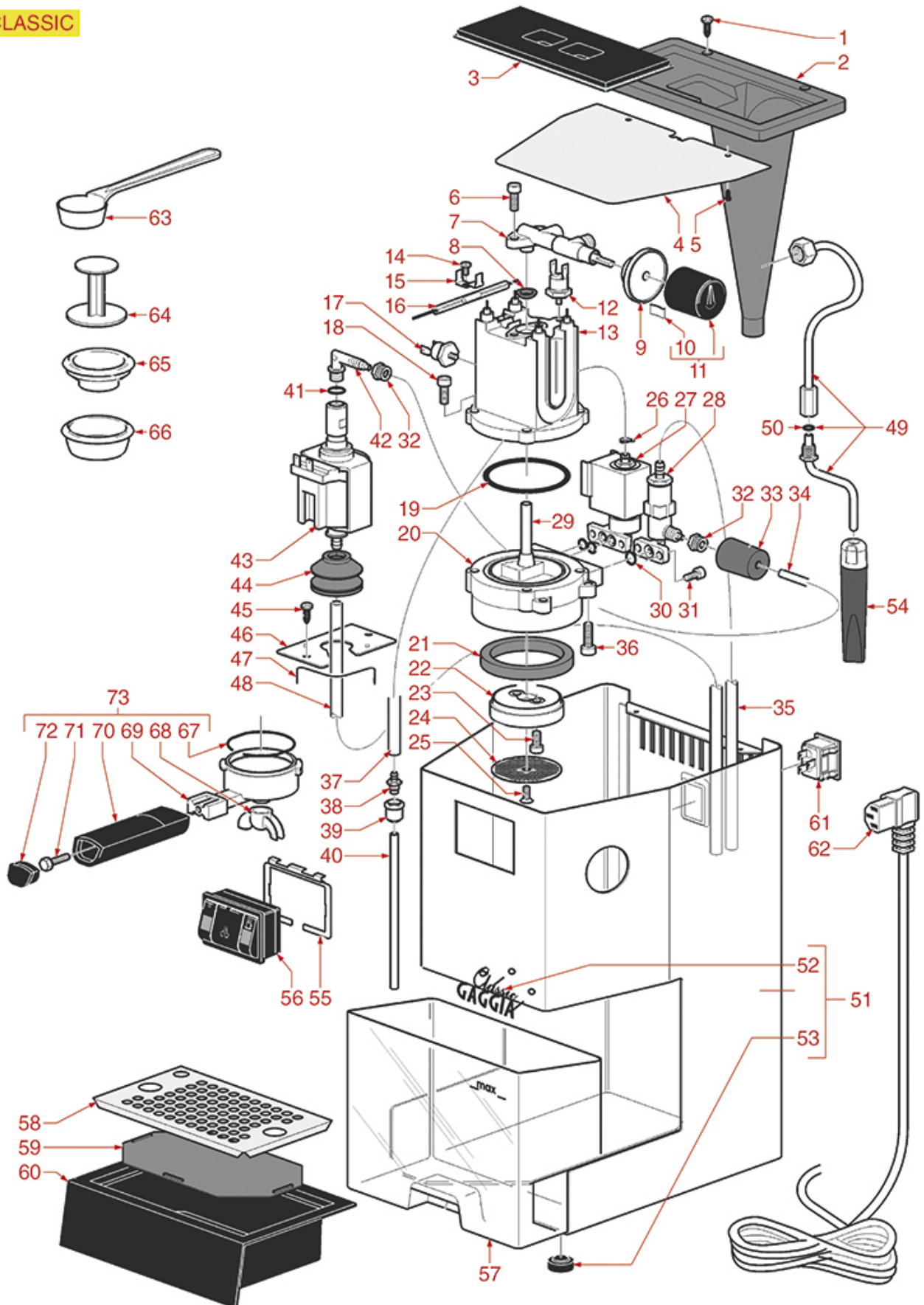
| Position | LF code no. | Description                             |
|----------|-------------|---|
| 15       | 1348114     | STEAM TAP                               |
| 18       | 1444521     | CONTACT THERMOSTAT 155°C M4             |
| 19       | 1186304     | O-RING 0112 EPDM                        |
| 25       | 3243139     | O-RING 02025 EPDM                       |
| 28       | 5047887     | PLASTIC PANNARELLO                      |
| 29       | 1122737     | VIBRATORY PUMP EP5 48W 230V 50Hz        |
| 30       | 1331023     | SQUARE DAMPER EX-EP-EK-EA               |
| 35       | 1186611     | O-RING 02025 RED SILICONE               |
| 36       | 1184012     | S/STEEL SCREW T.C.C.E.I. M5x10 UNI 5931 |
| 37       | 1443400     | CONTACT THERMOSTAT 107°C M4             |
| 38       | 1349651     | PIPETTE FITTING 90°                     |
| 39       | 5038339     | BOILER 110/120V 570/680W                |
| 40       | 3186454     | O-RING 0167 EPDM                        |
| 42       | 1786216     | FILTER HOLDER GASKET ø 72x57x8.5 mm     |
| 43       | 1186611     | O-RING 02025 RED SILICONE               |
| 44       | 5048106     | GROUP DIFFUSER M13x1.5                  |
| 45       | 5047151     | SHOWER HOLDER SPRAYER                   |
| 46       | 9528022     | SCREW M6x12                             |
| 47       | 1081063     | SHOWER SCREEN ø 54.5 mm                 |
| 48       | 1528501     | S/STEEL CROSS SCREW M5x12 mm UNI 7689   |
| 50       | 1250101     | FILTER BLOCKING SPRING ø 1,00 mm INOX   |
| 52       | 5047149     | FILTER HOLDER KNOB                      |
| 54       | 5047150     | FILTER HOLDER KNOB CAP                  |
| 68       | 1385002     | NYLON COFFEE TAMPER ø 50/57 mm          |
| 69       | 1160251     | 1 CUP FILTER 6 g                        |
| 70       | 1160262     | 2-CUP FILTER 14 GRAMS                   |
| 71       | 1069001     | PLASTIC MEASURING SPOON 20 ml           |
| 75       | 1449502     | TEFLON PIPE ø 4x6 mm - 10 m             |
| 79       | 1319544     | SINGLE-POLE SWITCH 16A 250V             |





## COFFEE MACHINE MOD. CLASSIC

**CLASSIC**





# GAGGIA

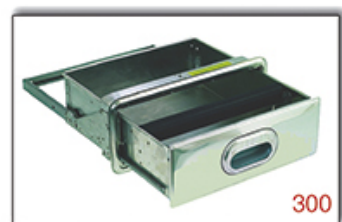
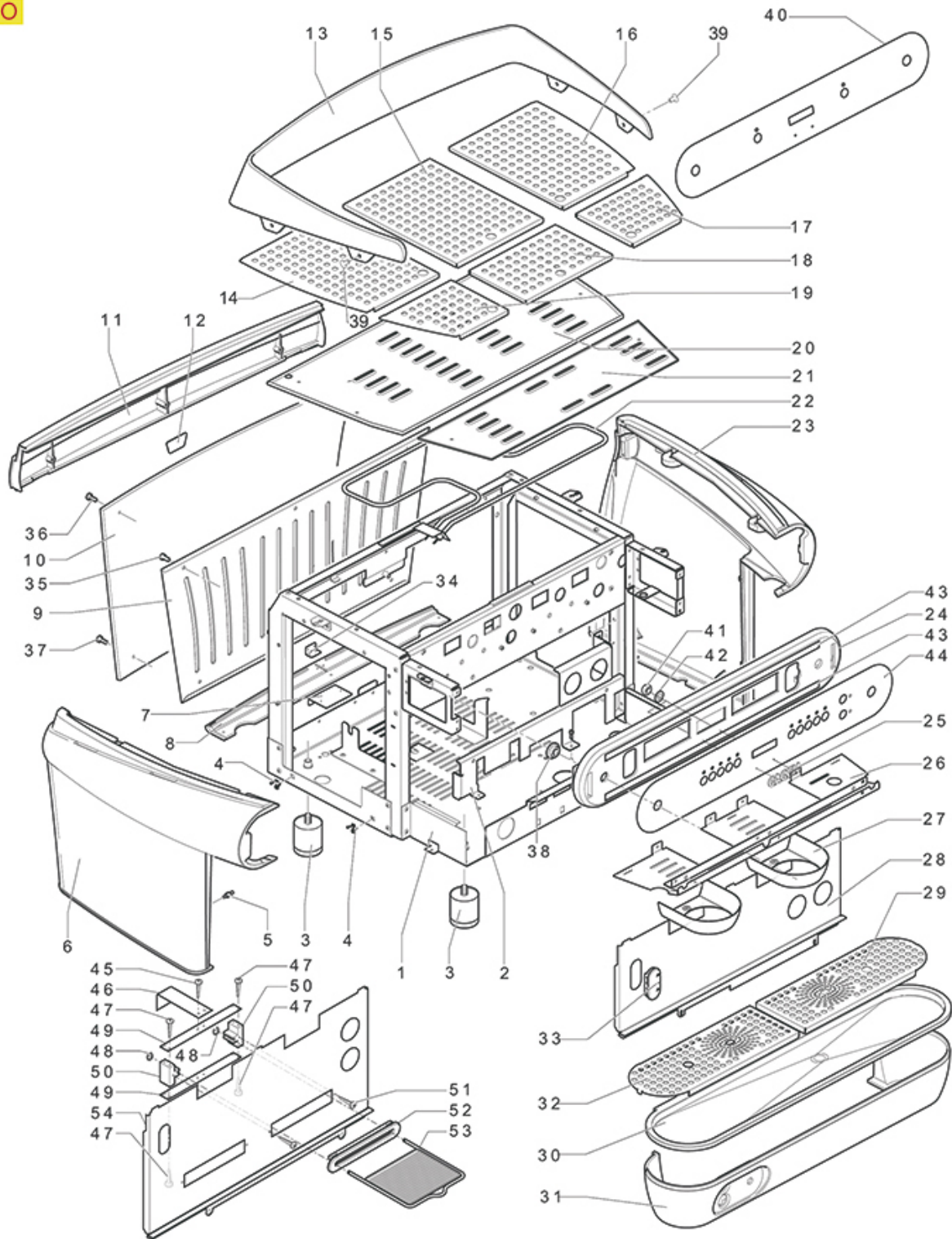


| Position | LF code no. | Description                                       |
|----------|-------------|---|
| 7        | 5038340     | STEAM TAP   |
| 8        | 1186304     | O-RING 0112 EPDM                                  |
| 11       | 5038341     | STEAM TAP KNOB                                    |
| 12       | 1444521     | CONTACT THERMOSTAT 155°C M4                       |
| 13       | 5038339     | BOILER 110/120V 570/680W                          |
| 17       | 1443400     | CONTACT THERMOSTAT 107°C M4                       |
| 19       | 3186454     | O-RING 0167 EPDM                                  |
| 21       | 1786216     | FILTER HOLDER GASKET $\varnothing$ 72x57x8.5 mm   |
| 22       | 5047151     | SHOWER HOLDER SPRAYER                             |
| 23       | 9528022     | SCREW M6x12                                       |
| 24       | 1081063     | SHOWER SCREEN $\varnothing$ 54.5 mm               |
| 25       | 1528501     | S/STEEL CROSS SCREW M5x12 mm UNI 7689             |
| 27       | 1120366     | 3-WAYS SOLENOID VALVE M&M 230/240V 50Hz           |
| 30       | 1186611     | O-RING 02025 RED SILICONE                         |
| 31       | 1184012     | S/STEEL SCREW T.C.C.E.I. M5x10 UNI 5931           |
| 36       | 1184012     | S/STEEL SCREW T.C.C.E.I. M5x10 UNI 5931           |
| 41       | 3243139     | O-RING 02025 EPDM                                 |
| 43       | 1122737     | VIBRATORY PUMP EP5 48W 230V 50Hz                  |
| 50       | 3243139     | O-RING 02025 EPDM                                 |
| 54       | 5047887     | PLASTIC PANNARELLO                                |
| 56       | 1319323     | 3-BUTTON PANEL 16A 250V                           |
| 63       | 1069001     | PLASTIC MEASURING SPOON 20 ml                     |
| 64       | 1385000     | NYLON TAMPER $\varnothing$ 50/52 mm               |
| 65       | 1160251     | 1 CUP FILTER 6 g                                  |
| 66       | 1160262     | 2-CUP FILTER 14 GRAMS                             |
| 67       | 1250101     | FILTER BLOCKING SPRING $\varnothing$ 1,00 mm INOX |
| 70       | 5047149     | FILTER HOLDER KNOB                                |
| 72       | 5047150     | FILTER HOLDER KNOB CAP                            |



## DECO BODY PARTS

DECO





# GAGGIA



| Position | LF code no. | Description                       |
|----------|-------------|-----------------------------------|
| 100      | 3080011     | KNOCK BOX DRAWER                  |
| 200      | 3080001     | KNOCKBOX DRAWER                   |
| 300      | 3080002     | S/STEEL DRAWER FOR COFFEE GROUNDS |









# GAGGIA

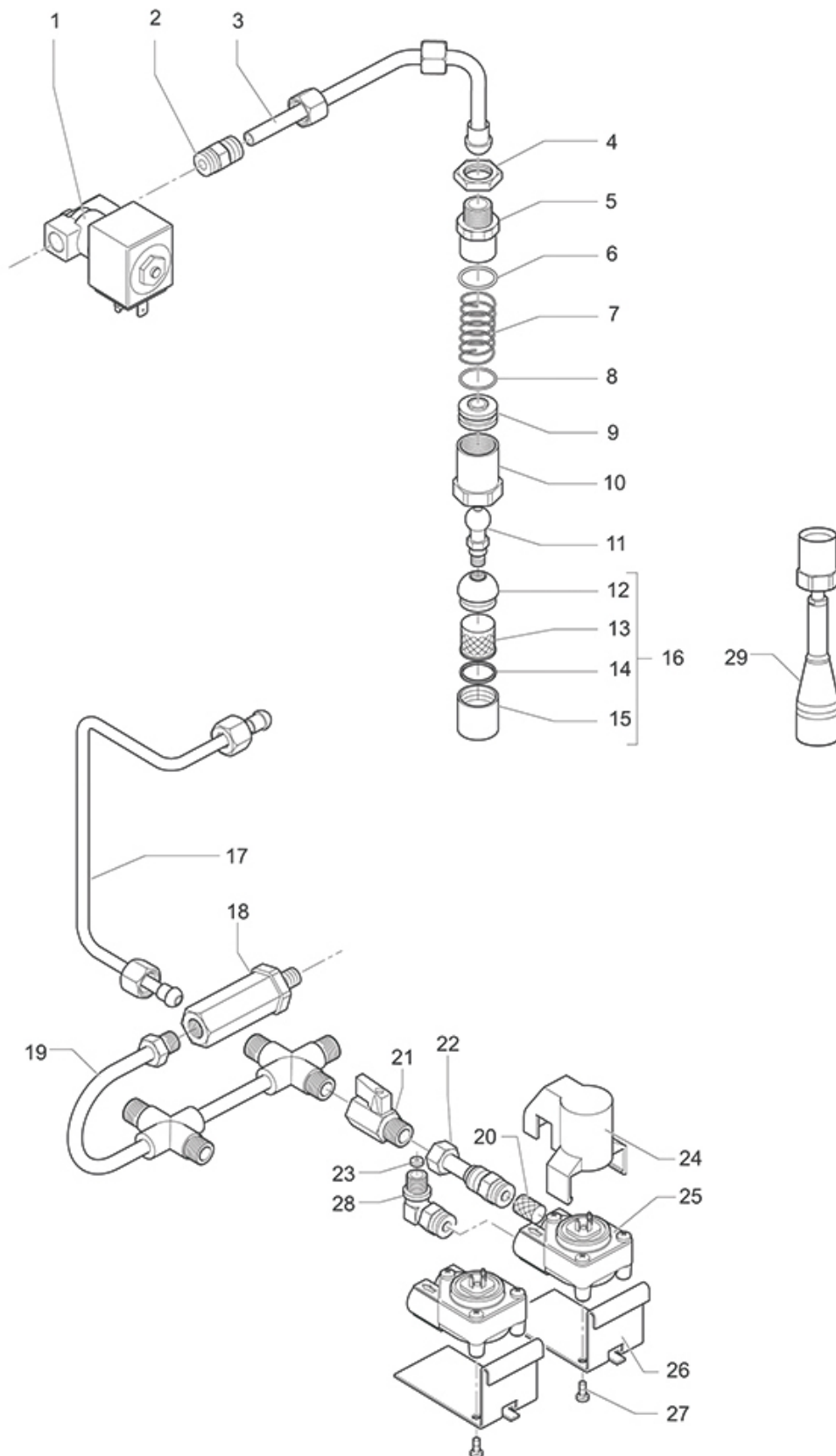


| Position | LF code no. | Description  |
|----------|-------------|--|
| 2        | 1515017     | BOILER VALVE $\varnothing$ 3/8"M-3/4"M               |
| 3        | 3243266     | O-RING 02081 EPDM                                    |
| 8        | 1786233     | O-RING 03087 EPDM                                    |
| 9        | 1527044     | HOSE-END FITTING FOR DRAIN TANK                      |
| 10       | 1527045     | DRAIN TANK   |
| 13       | 1349710     | NICHEL PLATED L-FITTING $\varnothing$ 1/4"M-1/4"M    |
| 14       | 1186676     | FILTER HOLDER GASKET $\varnothing$ 72x56x8.5 mm      |
| 14       | 1186722     | FILTER HOLDER GASKET $\varnothing$ 73x57x8 mm        |
| 14       | 1186723     | FILTER HOLDER GASKET $\varnothing$ 73x57x8.5 mm      |
| 14       | 1186724     | FILTER HOLDER GASKET $\varnothing$ 73x57x9 mm        |
| 14       | 1186741     | FILTER HOLDER GASKET $\varnothing$ 72x56x8.5 mm      |
| 15       | 1022524     | DOUBLE SPOUT $\varnothing$ 3/8"                      |
| 16       | 1022506     | DOUBLE SPOUT $\varnothing$ 3/8"                      |
| 17       | 1022503     | STRAIGHT SINGLE SPOUT $\varnothing$ 3/8"             |
| 18       | 1022501     | SINGLE SPOUT $\varnothing$ 3/8"                      |
| 19       | 1120335     | 3-WAY SOLENOID VALVE PARKER 230V 50/60Hz             |
| 20       | 1160252     | 2-CUP FILTER 12 GRAMS                                |
| 21       | 1160251     | 1 CUP FILTER 6 g                                     |
| 26       | 1186980     | COFFEE GROUP GASKET 73x61x1 mm                       |
| 30       | 1349102     | FITTING $\varnothing$ 1/4"M-1/4"M                    |
| 32       | 1120243     | 2-WAYS SOLEN.VALVE PARKER 230V 50/60Hz               |
| 37       | 1165109     | COMPLETE FILTER HOLDER 1 CUP GAGGIA                  |
| 38       | 1165108     | COMPLETE FILTER HOLDER 2 CUPS GAGGIA                 |
| 39       | 1250333     | FILTER BLOCKING SPRING $\varnothing$ 1.3 mm ST.STEEL |
| 40       | 1186399     | ZINC-PLATED WASHER 30x17x3 mm                        |
| 44       | 1528100     | CROSS HEAD SCREW M4x12 UNI 7687                      |
| 45       | 1528622     | S/S SCREW T.E. M8x16 UNI 5739 DIN 24017              |
| 49       | 1341016     | LEVEL PROBE $\varnothing$ 1/4"M-123 mm               |
| 51       | 3526699     | BALL VALVE $\varnothing$ 1/4" MF                     |
| 53       | 1348036     | NUT $\varnothing$ 3/8" WRENCH 21x6mm                 |
| 54       | 1528136     | GLASS FASTENING NUT $\varnothing$ 1/2"F HOLE 13 mm   |
| 55       | 1520516     | LEVEL GLASS $\varnothing$ 12x135 mm                  |
| 56       | 1523537     | BOILER VALVE $\varnothing$ 1/4"M                     |
| 57       | 1186226     | FLAT EPDM GASKET                                     |
| 59       | 1186404     | TEFLON FLAT GASKET $\varnothing$ 18x13x2 mm          |
| 60       | 1186296     | BOILER GASKET $\varnothing$ 220x168x2.5 mm           |
| 64       | 3060054     | ST.STEEL HEXAGONAL NORM.NUT M10 UNI 5588             |
| 65       | 1349706     | L-FITTING $\varnothing$ 3/8"M-3/8"M NICKEL-PLATED    |
| 66       | 1349103     | FITTING $\varnothing$ 3/8"M-3/8"M                    |
| 67       | 1186584     | TRIANGULAR GASKET FOR HEATING ELEMENT                |
| 67       | 1186635     | TRIANGULAR GASKET FOR HEATING ELEMENT                |
| 67       | 1786006     | TRIANGULAR GASKET FOR HEATING ELEMENT                |
| 68       | 1528621     | NUT M8x1   |
| 69       | 1755267     | HEATING ELEMENT 4760W 240V                           |
| 69       | 1755268     | HEATING ELEMENT 5000/5950W 220/240V                  |
| 69       | 1755269     | HEATING ELEMENT 7140W 240V                           |
| 73       | 1086509     | SHOWER HOLDER DIFFUSER                               |
| 74       | 1184010     | STAINLESS STEEL SCREW M6x10 UNI 9327                 |
| 75       | 1081021     | SHOWER SCREEN $\varnothing$ 55 mm                    |
| 86       | 1160262     | 2-CUP FILTER 14 GRAMS                                |
| 87       | 1160261     | 1 CUP FILTER 7 gr                                    |
| 88       | 1160339     | BLIND FILTER   |
| 89       | 1190001     | PAPER SEAL $\varnothing$ 73x59x0.8 mm                |
| 90       | 1190002     | RUBBER SEAL $\varnothing$ 73x59x1 mm EPDM            |
| 100      | 1069001     | PLASTIC MEASURING SPOON 20 ml                        |
| 101      | 1069002     | STAINLESS STEEL MEASURING SPOON 20 ml                |
| 102      | 1384003     | BLACK SHOWER CLEANING BRUSH                          |
| 103      | 1384002     | BRUSH FOR MAINTENANCE                                |
| 104      | 1384001     | BRUSH FOR COFFEE SHOWER                              |
| 105      | 1385002     | NYLON COFFEE TAMPER $\varnothing$ 50/57 mm           |
| 106      | 1385041     | POLISHED ALUMINUM TAMPER $\varnothing$ 57 mm         |
| 106      | 1385053     | ANODISED ALUMINUM TAMPER $\varnothing$ 58 mm         |
| 107      | 1385600     | DYNAMOMETRIC MANUAL COFFEE TAMPER $\varnothing$ 57mm |



## DECO WATER TAP AND DOSERS

DECO





# GAGGIA

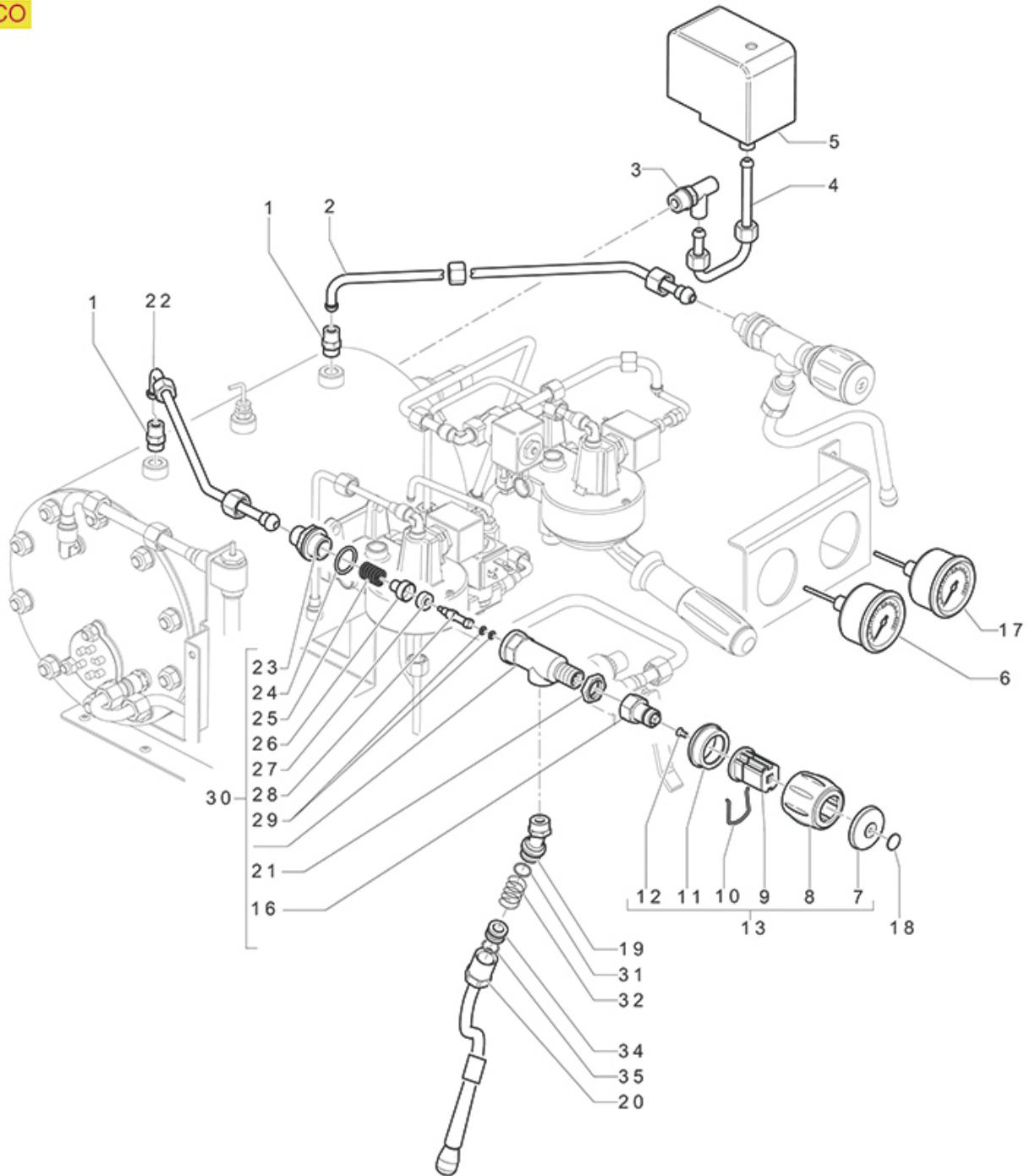


| Position | LF code no. | Description                                     |
|----------|-------------|---|
| 1        | 1120354     | 2-WAY SOLENOID VALVE PARKER 230V 50/60Hz        |
| 2        | 1349102     | FITTING $\varnothing$ 1/4"M-1/4"M               |
| 4        | 1755006     | NUT $\varnothing$ 1/4"                          |
| 6        | 1786232     | O-RING 02062 BROWN VITON                        |
| 7        | 1250534     | SPRING $\varnothing$ 12x22 mm                   |
| 8        | 1186709     | O-RING 0115 VITON                               |
| 9        | 1786230     | TEFLON CONICAL SEAL $\varnothing$ 14.5x6.5x9 mm |
| 16       | 1449332     | WATER PIPE NOZZLE                               |
| 18       | 1720005     | EXPANSION VALVE $\varnothing$ 1/4"F-7 mm 11 bar |
| 21       | 3526699     | BALL VALVE $\varnothing$ 1/4" MF                |
| 25       | 1455060     | VOLUMETRIC FLOWMETER GICAR                      |
| 27       | 1528100     | CROSS HEAD SCREW M4x12 UNI 7687                 |



## DECO STEAM TAP

**DECO**



|         |                  |     |
|---------|------------------|-----|
| 0+100°C | ---              | 100 |
| 0+100°C | ---              | 101 |
|         | ---              | 102 |
|         | 0,60L<br>6 cups  | 103 |
|         | 0,70L<br>9 cups  | 104 |
|         | 1,10L<br>12 cups | 105 |
|         | ---              | 106 |

INOX 18/10

|  |                  |     |
|--|------------------|-----|
|  | 0,20L<br>2 cups  | 200 |
|  | 0,30L<br>3 cups  | 201 |
|  | 0,45L<br>4 cups  | 202 |
|  | 0,60L<br>6 cups  | 203 |
|  | 0,70L<br>9 cups  | 204 |
|  | 1,10L<br>12 cups | 205 |
|  | ---              | 206 |

INOX 18/10

|  |                  |     |
|--|------------------|-----|
|  | ---              | 300 |
|  | ---              | 301 |
|  | ---              | 302 |
|  | 0,60L<br>6 cups  | 303 |
|  | 1,00L<br>10 cups | 304 |
|  | 1,50L<br>12 cups | 305 |
|  | 2,00L<br>15 cups | 306 |

INOX 18/10

|  |                  |     |
|--|------------------|-----|
|  | 0,25L<br>2 cups  | 400 |
|  | 0,35L<br>3 cups  | 401 |
|  | 0,50L<br>4 cups  | 402 |
|  | 0,75L<br>6 cups  | 403 |
|  | 1,00L<br>10 cups | 404 |
|  | 1,50L<br>13 cups | 405 |
|  | ---              | 406 |

INOX 18/10



# GAGGIA



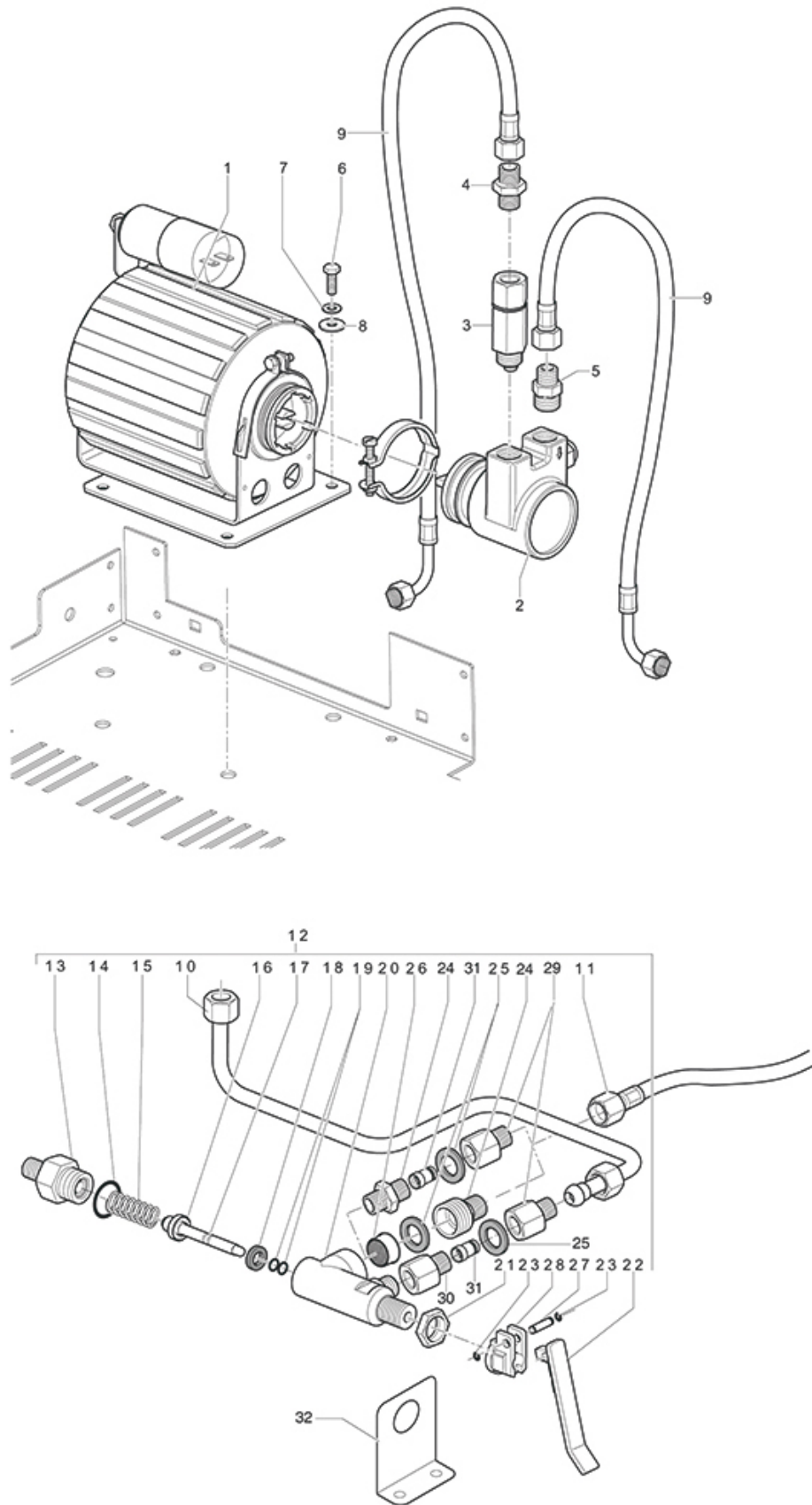
| Position | LF code no. | Description                             |
|----------|-------------|---|
| 5        | 1320531     | PRESSURE SWITCH P302/6 3-POLES 30A      |
| 6        | 1245061     | PUMP PRESSURE GAUGE ø 41 mm 0+15 bar    |
| 13       | 1241176     | WATER/STEAM TAP KNOB                    |
| 16       | 1324400     | TAP SPINDLE                             |
| 17       | 1245055     | BOILER PRESSURE GAUGE ø 41 mm 0+3 bar   |
| 18       | 1241417     | STEAM SILK SCREEN PRINT. F. HANDLE      |
| 20       | 1549019     | COMPLETE STEAM PIPE STAIN.STEEL ø 10 mm |
| 20       | 1549021     | COMPLETE STEAM PIPE ø 10 mm             |
| 21       | 1348036     | NUT ø 3/8" WRENCH 21x6mm                |
| 24       | 1186591     | O-RING 0128 VITON                       |
| 27       | 1186985     | FLAT EPDM GASKET ø 15x6x6 mm            |
| 28       | 1324158     | WATER/STEAM TAP PIN                     |
| 29       | 1186900     | O-RING 02015 VITON                      |
| 30       | 1348483     | WATER/STEAM TAP                         |
| 31       | 1786232     | O-RING 02062 BROWN VITON                |
| 32       | 1250534     | SPRING ø 12x22 mm                       |
| 34       | 1786230     | TEFLON CONICAL SEAL ø 14.5x6.5x9 mm     |
| 35       | 1186709     | O-RING 0115 VITON                       |
| 50       | 1394553     | POCKET ANALOG THERMOMETER ø 25 mm       |
| 51       | 1394554     | ANALOG THERMOMETER ø 45 mm              |
| 103      | 1024051     | SERVING COFFEE POT PRATIKA 0.60 L       |
| 104      | 1024052     | SERVING COFFEE POT PRATIKA 0.70 L       |
| 105      | 1024053     | SERVING COFFEE POT PRATIKA 1.10 L       |
| 200      | 1024001     | MILK PITCHER PRATIKA 0.20 L             |
| 201      | 1024002     | MILK PITCHER PRATIKA 0.30 L             |
| 202      | 1024003     | MILK PITCHER PRATIKA 0.45 L             |
| 203      | 1024004     | MILK PITCHER PRATIKA 0.60 L             |
| 204      | 1024005     | MILK PITCHER PRATIKA 0.70 L             |
| 205      | 1024006     | MILK PITCHER PRATIKA 1.10 L             |
| 303      | 1224000     | MILK PITCHER WITH SPOUT 0.60 L          |
| 304      | 1224001     | MILK PITCHER WITH SPOUT 1 L             |
| 305      | 1224002     | MILK PITCHER WITH SPOUT 1.5 L           |
| 306      | 1224003     | MILK PITCHER WITH SPOUT 2 L             |
| 400      | 1224014     | MILK PITCHER EUROPA WITH SPOUT 0.25 L   |
| 401      | 1224015     | MILK PITCHER EUROPA WITH SPOUT 0.35 L   |
| 402      | 1224010     | MILK PITCHER EUROPA WITH SPOUT 0.50 L   |
| 403      | 1224011     | MILK PITCHER EUROPA WITH SPOUT 0.75 L   |
| 404      | 1224012     | MILK PITCHER EUROPA WITH SPOUT 1 L      |
| 405      | 1224013     | MILK PITCHER EUROPA WITH SPOUT 1.5 L    |





## DECO INLET TAP AND MOTOR

DECO





# GAGGIA

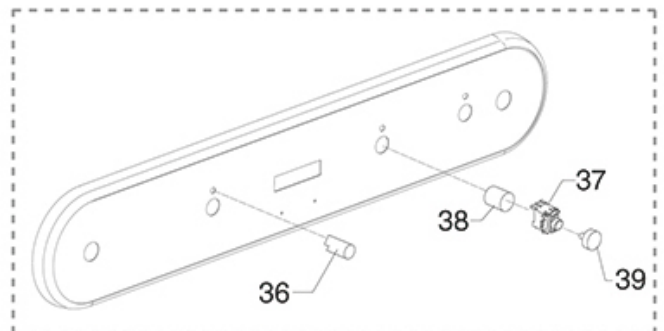
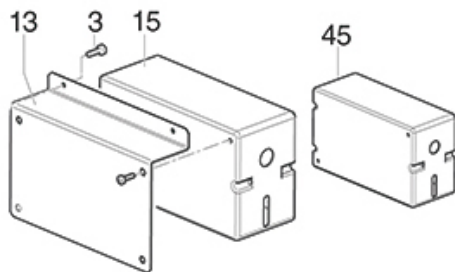
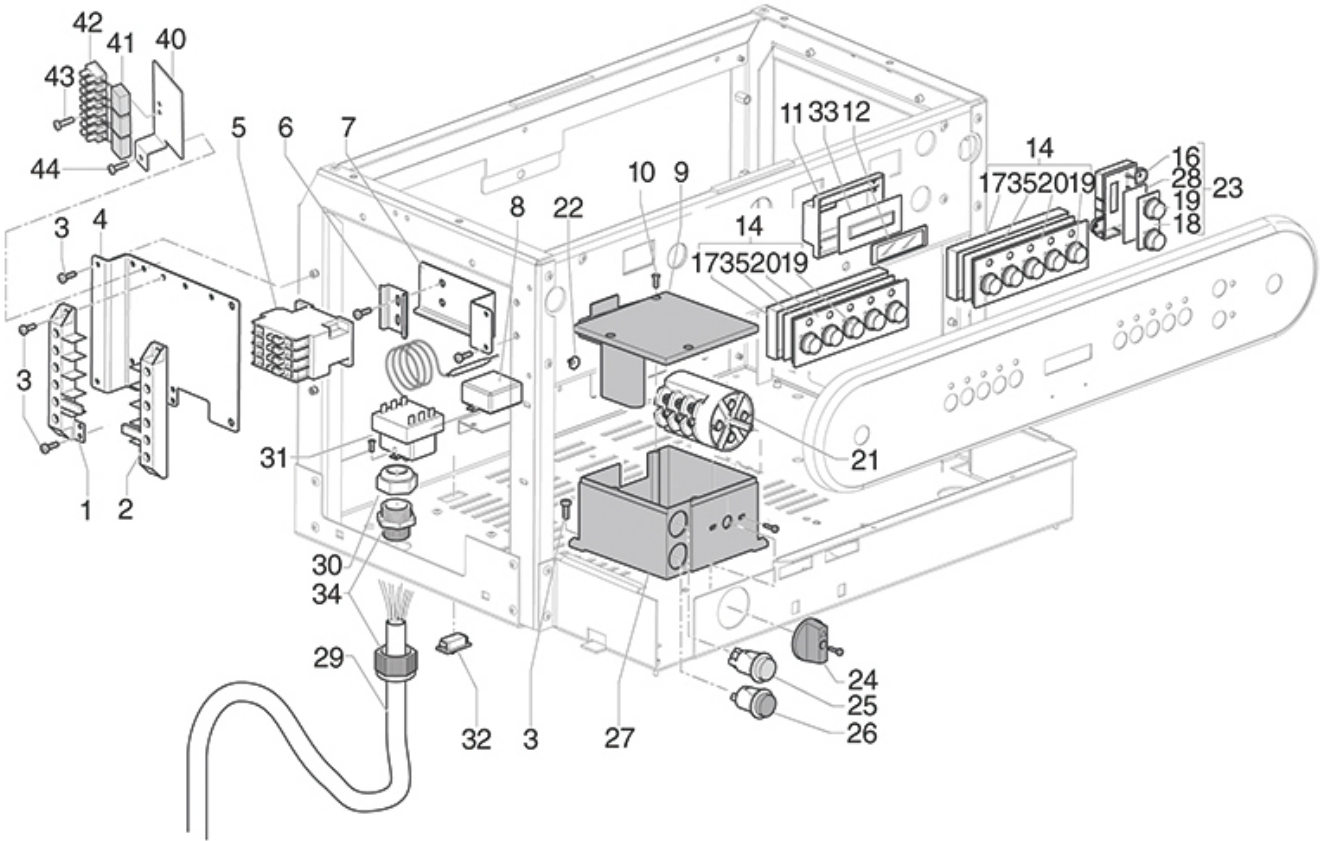


| Position | LF code no. | Description                                      |
|----------|-------------|--|
|          | 1358006     | COMPLETE WATER INLET TAP                         |
| 1        | 1240368     | RPM CLAMP MOTOR 165W                             |
| 2        | 1330001     | ROTARY VANE PUMP ROTOFLOW $\varnothing$ 3/8" NPT |
| 2        | 1330012     | ROTARY VANE PUMP PROCON $\varnothing$ 3/8" NPT   |
| 3        | 1720004     | CHECK VALVE $\varnothing$ 3/8"M-1/4"F            |
| 5        | 1349112     | FITTING $\varnothing$ 1/4"M-3/8"M                |
| 6        | 1528622     | S/S SCREW T.E. M8x16 UNI 5739 DIN 24017          |
| 12       | 1358006     | COMPLETE WATER INLET TAP                         |
| 14       | 3186181     | O-RING 03068 EPDM                                |
| 18       | 1186983     | FLAT GASKET VITON $\varnothing$ 15x7x3 mm        |
| 19       | 1186900     | O-RING 02015 VITON                               |
| 21       | 1348036     | NUT $\varnothing$ 3/8" WRENCH 21x6mm             |
| 22       | 1241150     | INLET TAP LEVER                                  |
| 25       | 1786231     | FLAT GASKET EPDM $\varnothing$ 24x15x3 mm        |
| 26       | 1449317     | WATER PIPE NOZZLE                                |
| 27       | 1324159     | PIN $\varnothing$ 5x20.5 mm                      |
| 28       | 1358007     | NUT FOR INLET TAP LEVER                          |



## DECO ELECTRICAL SYSTEM

### DECO





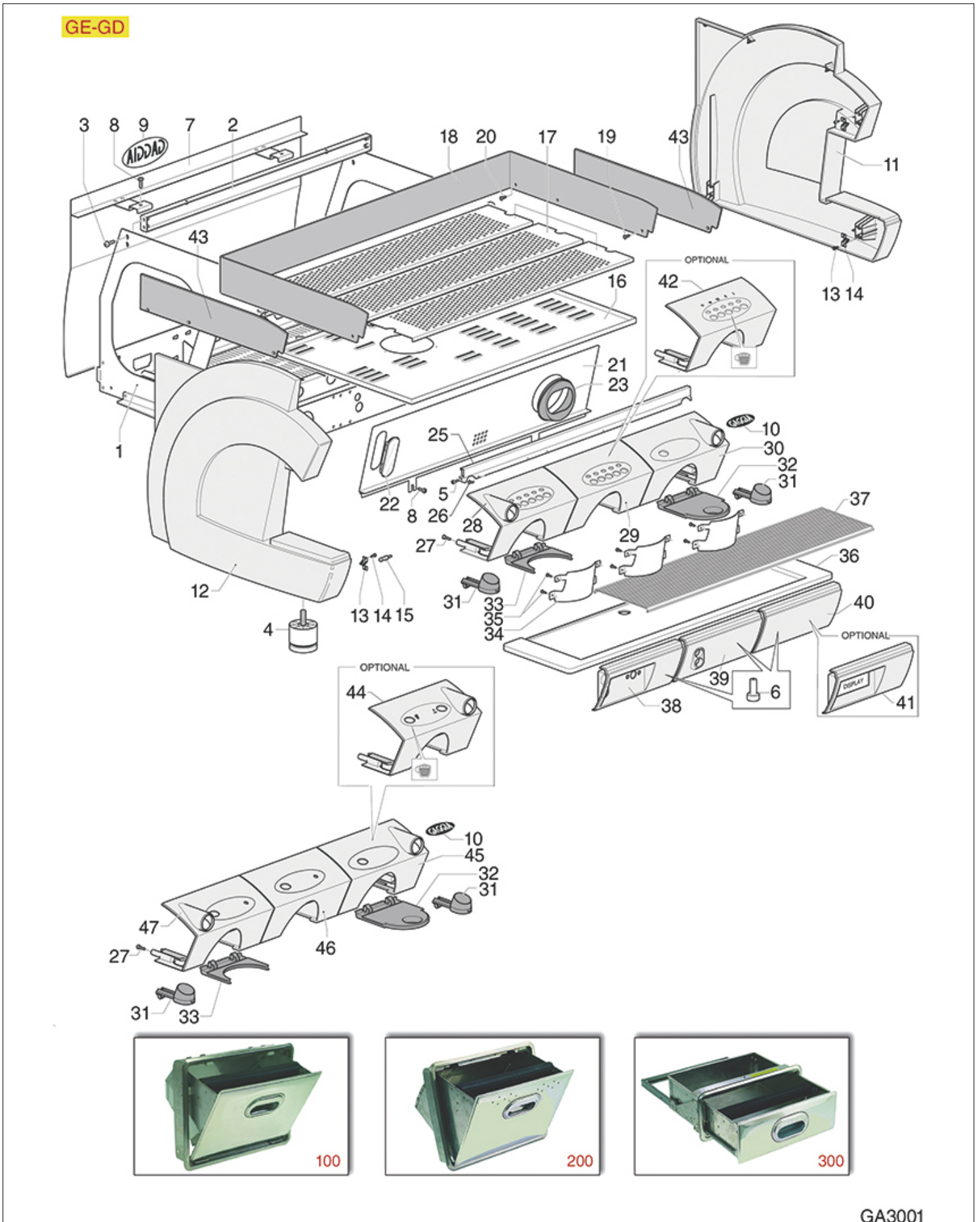
# GAGGIA



| Position | LF code no. | Description                            |
|----------|-------------|--|
| 1        | 3247009     | 6-POLE TERMINAL BLOCK FV122/B 40A 600V |
| 2        | 3247009     | 6-POLE TERMINAL BLOCK FV122/B 40A 600V |
| 5        | 3454048     | CONTACTOR ABB A9-30-10 9A 230/400V 4Kw |
| 14       | 1319538     | PUSH-BUTTON PANEL 5 BUTTONS            |
| 15       | 1054046     | DOSER CONTROL BOX 1-3 GROUPS 230V      |
| 21       | 3057296     | SELECTOR SWITCH 0-3 POSITIONS 32A 690V |
| 23       | 1319530     | PUSH-BUTTON PANEL 2 BUTTONS            |
| 24       | 1241542     | BLACK KNOB FOR CONVERTER               |
| 25       | 3319948     | RED BIPOLAR SWITCH 16A 250V            |
| 26       | 3221407     | RED INDICATOR LAMP 250V                |
| 31       | 3444442     | THREE-PHASE THERMOSTAT 170°C           |
| 32       | 1319382     | BLACK BIPOLAR SWITCH 16A 250V          |
| 36       | 1221058     | BLUE INDICATOR LIGHT 230 V             |
| 37       | 1319082     | SINGLE-POLE PUSH BUTTON 16A 250V       |
| 38       | 1319548     | CHROME-PLATED SUPPORT                  |
| 39       | 1319549     | CHROME-PLATED PUSH-BUTTON ø 21 mm      |
| 45       | 1054047     | DOSER CONTROL BOX 1-3 GROUPS 230V      |



## GE-GD BODY PARTS







# GAGGIA

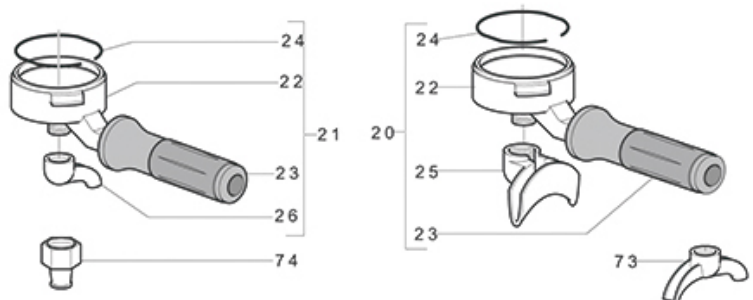
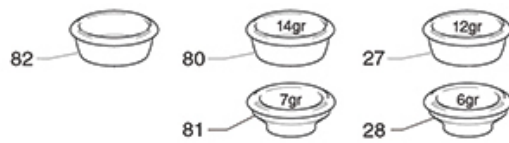
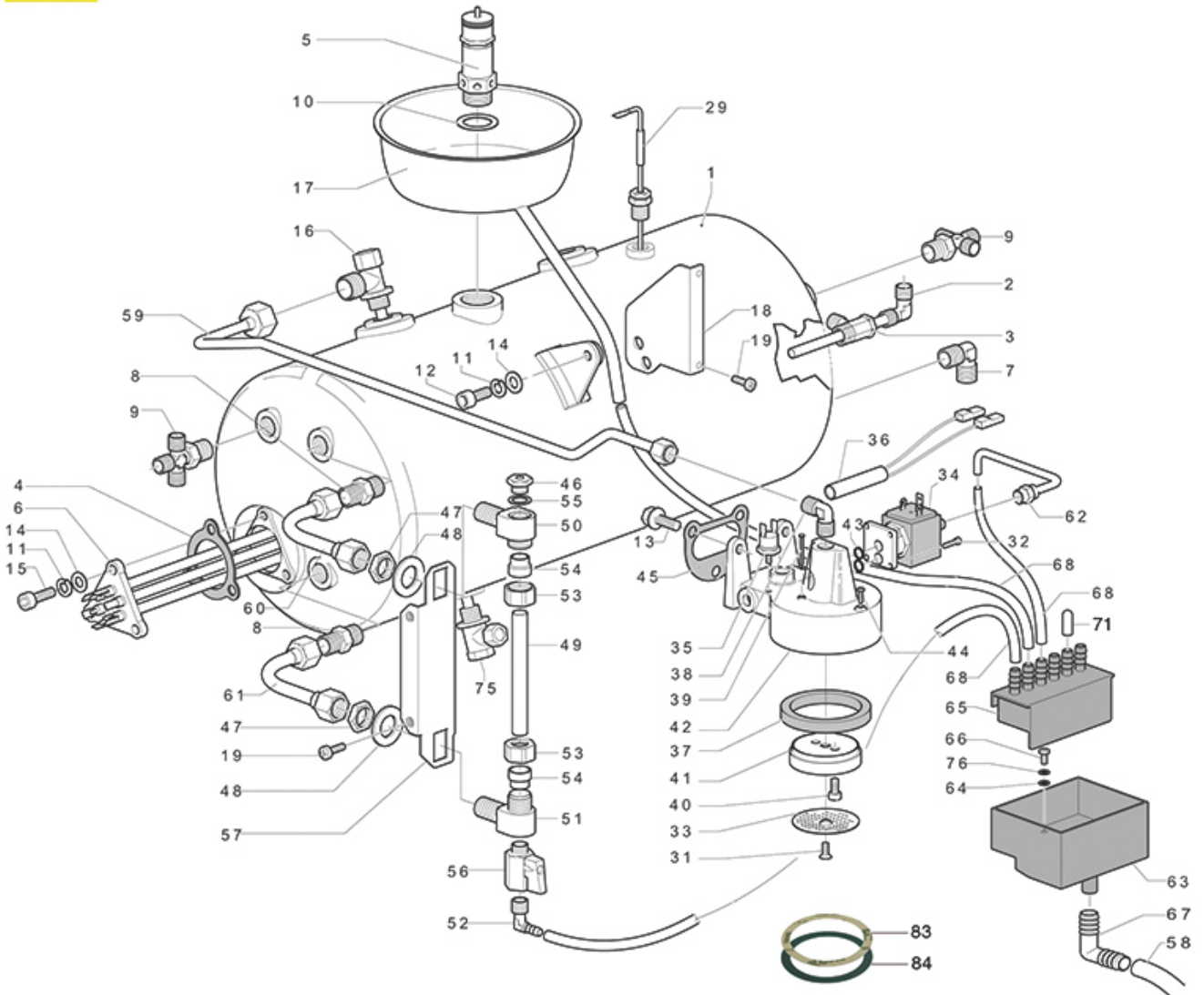


| Position | LF code no. | Description                       |
|----------|-------------|-----------------------------------|
| 100      | 3080011     | KNOCK BOX DRAWER                  |
| 200      | 3080001     | KNOCKBOX DRAWER                   |
| 300      | 3080002     | S/STEEL DRAWER FOR COFFEE GROUNDS |



## GE-GD GROUP/BOILER/LEVEL

**GE-GD**



GA3101



# GAGGIA

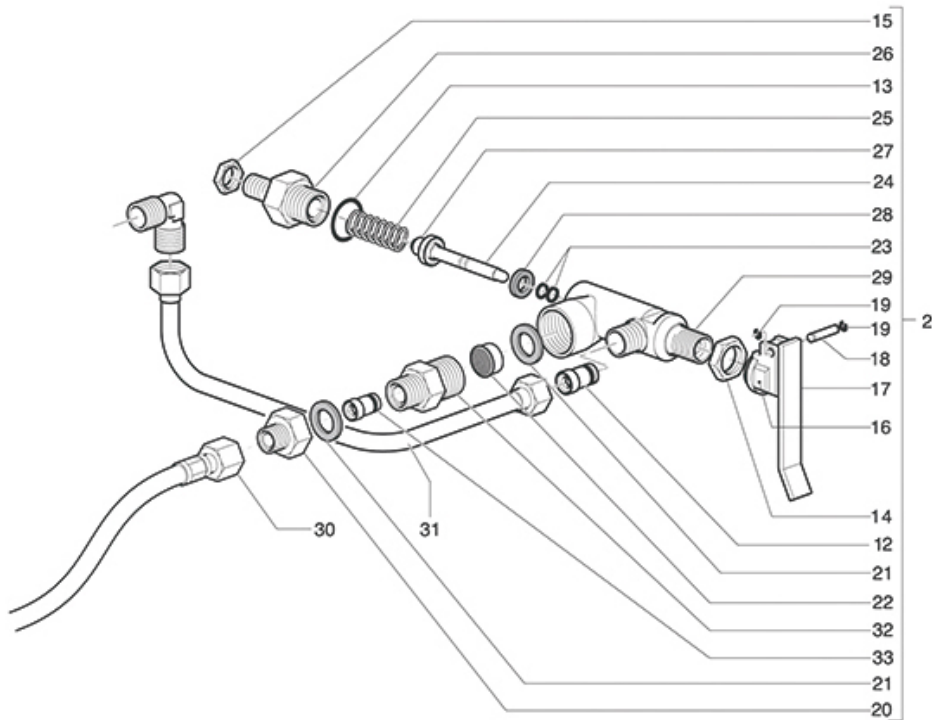
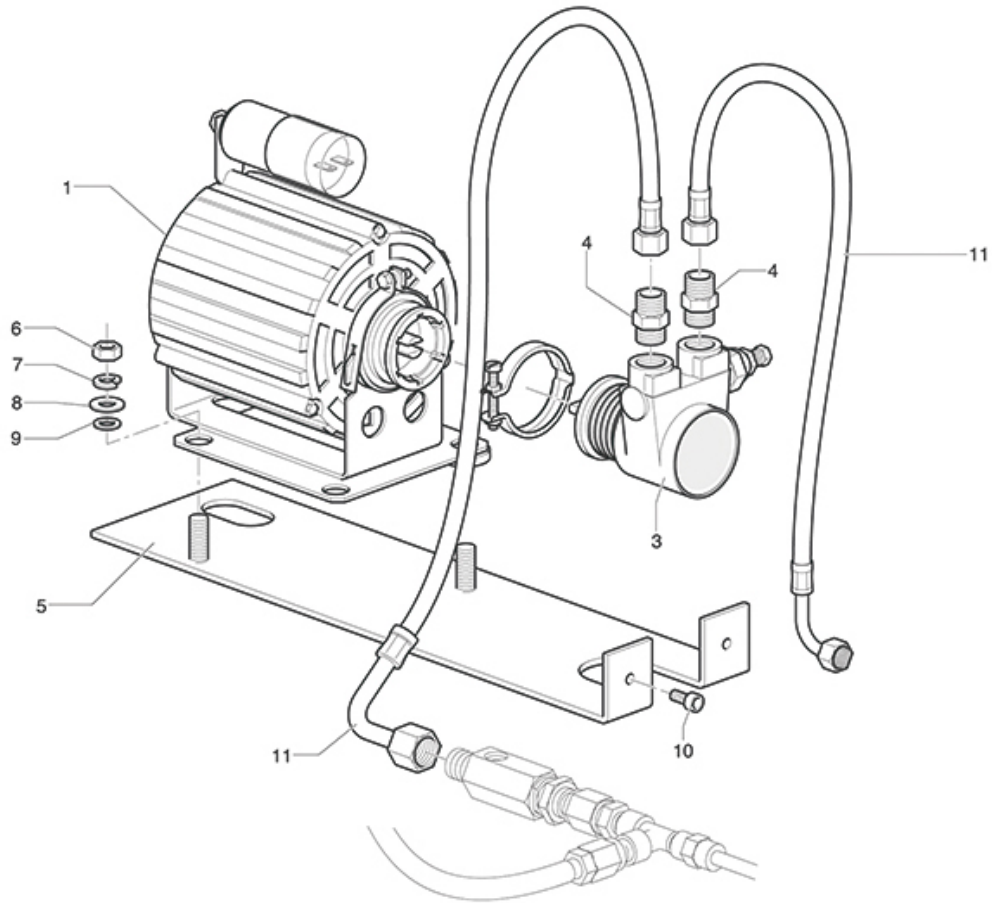


| Pos. | LF code no. | Description                              | Pos. | LF code no. | Description                               |
|------|-------------|--|------|-------------|---|
| 4    | 1186584     | TRIANGULAR GASKET FOR HEATING ELEMENT    | 105  | 1385002     | NYLON COFFEE TAMPER ø 50/57 mm            |
| 4    | 1186635     | TRIANGULAR GASKET FOR HEATING ELEMENT    | 106  | 1385041     | POLISHED ALUMINUM TAMPER ø 57 mm          |
| 4    | 1786006     | TRIANGULAR GASKET FOR HEATING ELEMENT    | 106  | 1385053     | ANODISED ALUMINUM TAMPER ø 58 mm          |
| 5    | 1523572     | BOILER VALVE ø 3/8"M - 1,8 bar CE/PED    | 107  | 1385600     | DYNAMOMETRIC MANUAL COFFEE TAMPER ø 57 mm |
| 6    | 1755008     | HEATING ELEMENT 2500W 220/380V           |      |             |   |
| 6    | 1755056     | HEATING ELEMENT 4000/4760W 220/240V      |      |             |   |
| 6    | 1755270     | HEATING ELEMENT 5465W 230V               |      |             |   |
| 6    | 1755271     | HEATING ELEMENT 6000/7140W 220/240V      |      |             |   |
| 7    | 1349706     | L-FITTING ø 3/8"M-3/8"M NICKEL-PLATED    |      |             |   |
| 8    | 1349103     | FITTING ø 3/8"M-3/8"M                    |      |             |   |
| 10   | 1186620     | COPPER FLAT GASKET ø 22x17x1.5 mm        |      |             |   |
| 12   | 1528622     | S/S SCREW T.E. M8x16 UNI 5739 DIN 24017  |      |             |   |
| 13   | 1528622     | S/S SCREW T.E. M8x16 UNI 5739 DIN 24017  |      |             |   |
| 14   | 1186043     | ZINC-PLATED FLAT WASHER 16x8,5x1,6       |      |             |   |
| 16   | 1349014     | BOILER FITTING ø 1/2"M-1/2"M             |      |             |   |
| 20   | 1165108     | COMPLETE FILTER HOLDER 2 CUPS GAGGIA     |      |             |   |
| 21   | 1165109     | COMPLETE FILTER HOLDER 1 CUP GAGGIA      |      |             |   |
| 22   | 1165026     | FILTER HOLDER GAGGIA/SAECO               |      |             |   |
| 23   | 1141005     | FILTER HOLDER KNOB M10                   |      |             |   |
| 24   | 1250333     | FILTER BLOCKING SPRING ø 1.3 mm ST.STEEL |      |             |   |
| 25   | 1022506     | DOUBLE SPOUT ø 3/8"                      |      |             |   |
| 26   | 1022501     | SINGLE SPOUT ø 3/8"                      |      |             |   |
| 27   | 1160252     | 2-CUP FILTER 12 GRAMS                    |      |             |   |
| 28   | 1160251     | 1 CUP FILTER 6 g                         |      |             |   |
| 29   | 1341016     | LEVEL PROBE ø 1/4"M-123 mm               |      |             |   |
| 32   | 1184006     | S/S SCREW T.C.C.E.I. M4x12 UNI 7984      |      |             |   |
| 33   | 1081021     | SHOWER SCREEN ø 55 mm                    |      |             |   |
| 34   | 1120335     | 3-WAY SOLENOID VALVE PARKER 230V 50/60Hz |      |             |   |
| 35   | 1443011     | CONTACT THERMOSTAT 100°C M4              |      |             |   |
| 36   | 1755826     | CARTRIDGE HEATING ELEMENT 80W 240V       |      |             |   |
| 37   | 1186676     | FILTER HOLDER GASKET ø 72x56x8.5 mm      |      |             |   |
| 37   | 1186722     | FILTER HOLDER GASKET ø 73x57x8 mm        |      |             |   |
| 37   | 1186723     | FILTER HOLDER GASKET ø 73x57x8.5 mm      |      |             |   |
| 37   | 1186724     | FILTER HOLDER GASKET ø 73x57x9 mm        |      |             |   |
| 37   | 1186741     | FILTER HOLDER GASKET ø 72x56x8.5 mm      |      |             |   |
| 38   | 1349710     | NICHEL PLATED L-FITTING ø 1/4"M-1/4"M    |      |             |   |
| 40   | 1184010     | STAINLESS STEEL SCREW M6x10 UNI 9327     |      |             |   |
| 41   | 1086509     | SHOWER HOLDER DIFFUSER                   |      |             |   |
| 43   | 1186611     | O-RING 02025 RED SILICONE                |      |             |   |
| 44   | 1528100     | CROSS HEAD SCREW M4x12 UNI 7687          |      |             |   |
| 45   | 1186980     | COFFEE GROUP GASKET 73x61x1 mm           |      |             |   |
| 46   | 1523537     | BOILER VALVE ø 1/4"M                     |      |             |   |
| 47   | 1348036     | NUT ø 3/8" WRENCH 21x6mm                 |      |             |   |
| 48   | 1186399     | ZINC-PLATED WASHER 30x17x3 mm            |      |             |   |
| 49   | 1520400     | LEVEL GLASS ø 12x106 mm SILK-SCREEN PRIN |      |             |   |
| 53   | 1528136     | GLASS FASTENING NUT ø 1/2"F HOLE 13 mm   |      |             |   |
| 54   | 1186226     | FLAT EPDM GASKET                         |      |             |   |
| 55   | 1186404     | TEFLON FLAT GASKET ø 18x13x2 mm          |      |             |   |
| 56   | 3526699     | BALL VALVE ø 1/4" MF                     |      |             |   |
| 58   | 1449271     | DRAIN PIPE ELISPIR ø 14x20 mm - 30 m     |      |             |   |
| 58   | 1449671     | DRAIN PIPE ELISPIR ø 14x20 mm - 5 m      |      |             |   |
| 63   | 1527537     | DRAIN TRAY                               |      |             |   |
| 68   | 1449283     | SILICONE HOSE ø 5x10 SHORE 60 - 100 m    |      |             |   |
| 68   | 1449683     | SILICONE HOSE ø 5x10 SHORE 60 - 10 m     |      |             |   |
| 73   | 1022524     | DOUBLE SPOUT ø 3/8"                      |      |             |   |
| 74   | 1022503     | STRAIGHT SINGLE SPOUT ø 3/8"             |      |             |   |
| 80   | 1160262     | 2-CUP FILTER 14 GRAMS                    |      |             |   |
| 81   | 1160261     | 1 CUP FILTER 7 gr                        |      |             |   |
| 82   | 1160339     | BLIND FILTER                             |      |             |   |
| 83   | 1190001     | PAPER SEAL ø 73x59x0.8 mm                |      |             |   |
| 84   | 1190002     | RUBBER SEAL ø 73x59x1 mm EPDM            |      |             |   |
| 100  | 1069001     | PLASTIC MEASURING SPOON 20 ml            |      |             |   |
| 101  | 1069002     | STAINLESS STEEL MEASURING SPOON 20 ml    |      |             |   |
| 102  | 1384003     | BLACK SHOWER CLEANING BRUSH              |      |             |   |
| 103  | 1384002     | BRUSH FOR MAINTENANCE                    |      |             |   |
| 104  | 1384001     | BRUSH FOR COFFEE SHOWER                  |      |             |   |



## GE-GD INLET TAP AND MOTOR

GE-GD





# GAGGIA



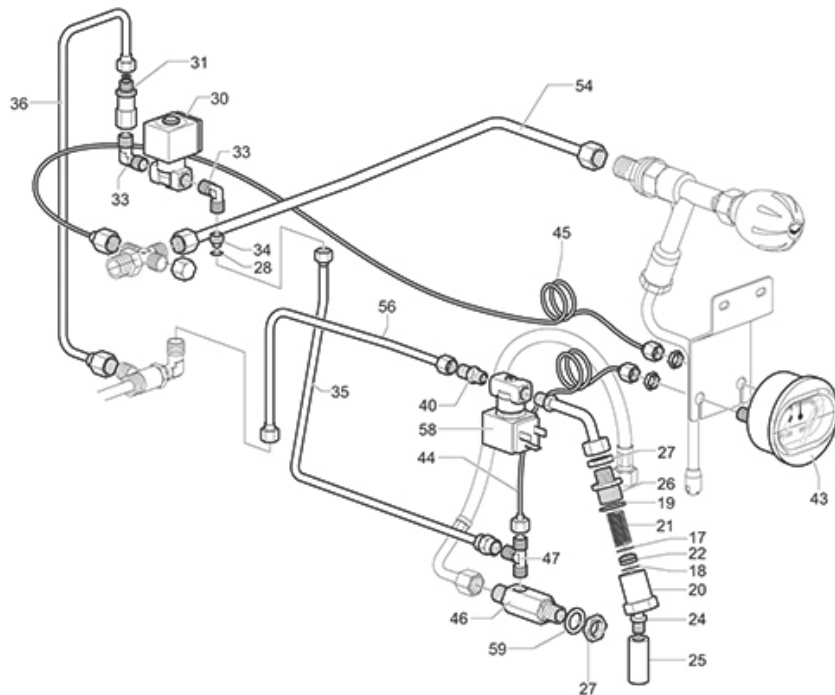
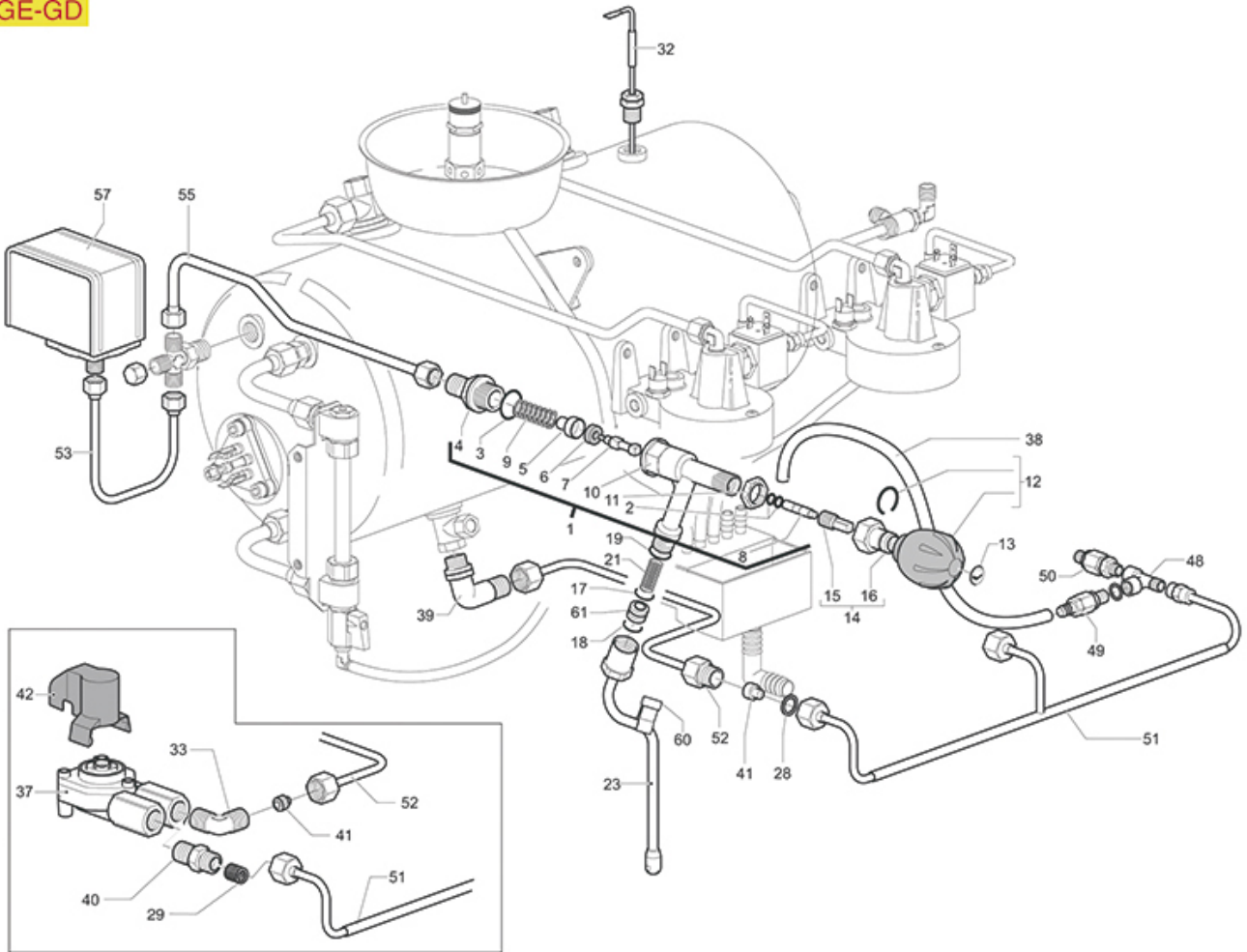
| Position | LF code no. | Description                                      |
|----------|-------------|--|
| 1        | 1240368     | RPM CLAMP MOTOR 165W                             |
| 2        | 1358005     | COMPLETE WATER INLET TAP                         |
| 3        | 1330001     | ROTARY VANE PUMP ROTOFLOW $\varnothing$ 3/8" NPT |
| 3        | 1330012     | ROTARY VANE PUMP PROCON $\varnothing$ 3/8" NPT   |
| 4        | 1349112     | FITTING $\varnothing$ 1/4"M-3/8"M                |
| 9        | 1186043     | ZINC-PLATED FLAT WASHER 16x8,5x1,6               |
| 12       | 1720003     | CHECK VALVE                                      |
| 13       | 3186181     | O-RING 03068 EPDM                                |
| 14       | 1348036     | NUT $\varnothing$ 3/8" WRENCH 21x6mm             |
| 15       | 1755006     | NUT $\varnothing$ 1/4"                           |
| 16       | 1358007     | NUT FOR INLET TAP LEVER                          |
| 17       | 1241150     | INLET TAP LEVER                                  |
| 18       | 1324159     | PIN $\varnothing$ 5x20.5 mm                      |
| 21       | 1786231     | FLAT GASKET EPDM $\varnothing$ 24x15x3 mm        |
| 22       | 1449317     | WATER PIPE NOZZLE                                |
| 23       | 1186900     | O-RING 02015 VITON                               |
| 28       | 1186983     | FLAT GASKET VITON $\varnothing$ 15x7x3 mm        |





## GE-GD WATER/STEAM TAPS

GE-GD





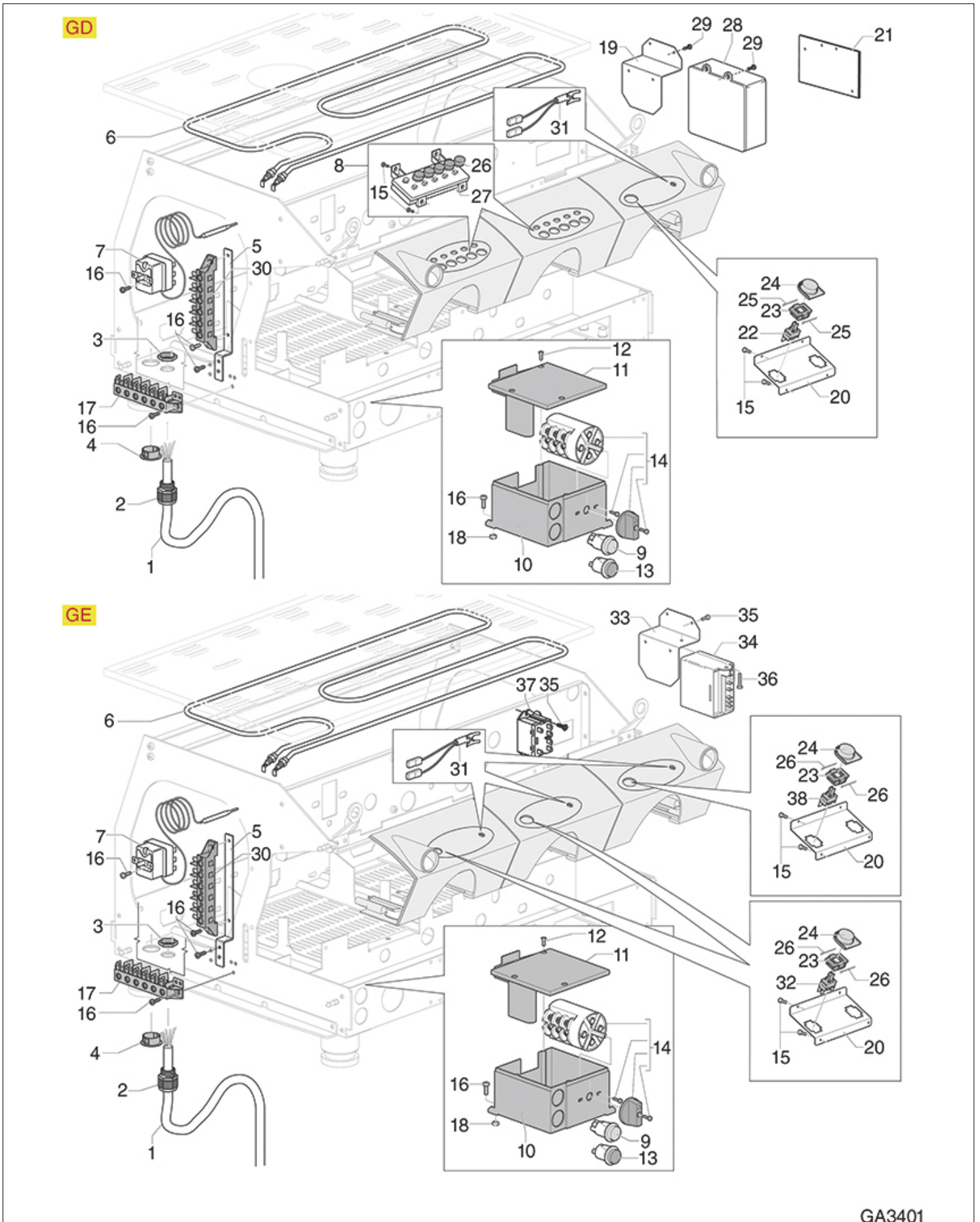
# GAGGIA



| Position | LF code no. | Description   |
|----------|-------------|---|
| 1        | 1348600     | COMPLETE STEAM TAP  |
| 2        | 1186900     | O-RING 02015 VITON  |
| 3        | 1186591     | O-RING 0128 VITON   |
| 6        | 1186985     | FLAT EPDM GASKET $\varnothing$ 15x6x6 mm                  |
| 7        | 1324158     | WATER/STEAM TAP PIN                                       |
| 8        | 5038097     | TAP SHUTTER CONTROL PIN                                   |
| 11       | 1348036     | NUT $\varnothing$ 3/8" WRENCH 21x6mm                      |
| 12       | 5027276     | WATER/STEAM TAP KNOB                                      |
| 13       | 1241417     | STEAM SILK SCREEN PRINT. F. HANDLE                        |
| 14       | 1324400     | TAP SPINDLE   |
| 15       | 1324089     | STEAM TAP SPINDLE   |
| 16       | 1439026     | STEAM TAP EXTENSION                                       |
| 17       | 1186626     | O-RING 0114 EPDM  |
| 18       | 1186709     | O-RING 0115 VITON   |
| 19       | 1786232     | O-RING 02062 BROWN VITON                                  |
| 21       | 1250534     | SPRING $\varnothing$ 12x22 mm                             |
| 22       | 1786230     | TEFLON CONICAL SEAL $\varnothing$ 14.5x6.5x9 mm           |
| 23       | 1549021     | COMPLETE STEAM PIPE $\varnothing$ 10 mm                   |
| 27       | 1755006     | NUT $\varnothing$ 1/4"                                    |
| 28       | 1186755     | O-RING 02018 VITON  |
| 30       | 1120243     | 2-WAYS SOLEN.VALVE PARKER 230V 50/60Hz                    |
| 31       | 1523035     | NON-RETURN VALVE $\varnothing$ 1/4"M-1/4"F                |
| 32       | 1341016     | LEVEL PROBE $\varnothing$ 1/4"M-123 mm                    |
| 37       | 1455060     | VOLUMETRIC FLOWMETER GICAR                                |
| 38       | 1449283     | SILICONE HOSE $\varnothing$ 5x10 SHORE 60 - 100 m         |
| 38       | 1449683     | SILICONE HOSE $\varnothing$ 5x10 SHORE 60 - 10 m          |
| 43       | 1245057     | BOILER PRESSURE GAUGE $\varnothing$ 63 mm 0 $\pm$ 2.5 bar |
| 43       | 1245801     | BOILER-PUMP PRESSURE GAUGE $\varnothing$ 63 mm            |
| 49       | 1523432     | EXPANSION VALVE $\varnothing$ 1/8"M                       |
| 50       | 1523068     | CHECK VALVE $\varnothing$ 1/8"M-1/8"M                     |
| 57       | 1320531     | PRESSURE SWITCH P302/6 3-POLES 30A                        |
| 58       | 1120354     | 2-WAY SOLENOID VALVE PARKER 230V 50/60Hz                  |
| 60       | 1549020     | BURN PREVENTING RUBBERPIECE $\varnothing$ 10 mm           |



## GE-GD ELECTRICAL SYSTEM





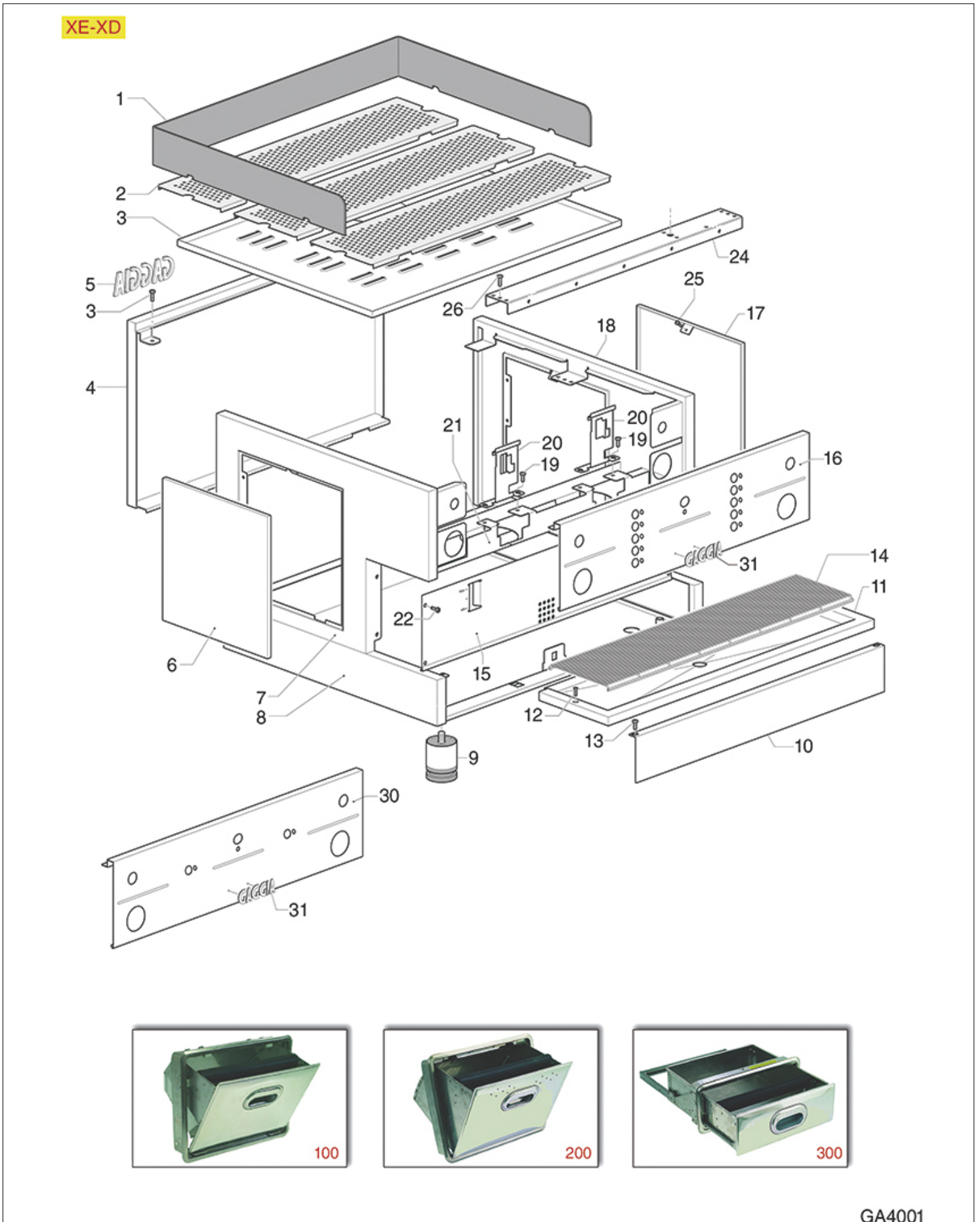
# GAGGIA



| Position | LF code no. | Description                            |
|----------|-------------|--|
| 7        | 3444442     | THREE-PHASE THERMOSTAT 170°C           |
| 8        | 1319529     | PUSH-BUTTON PANEL 5 BUTTONS            |
| 9        | 3319948     | RED BIPOLAR SWITCH 16A 250V            |
| 13       | 3221407     | RED INDICATOR LAMP 250V                |
| 14       | 3057296     | SELECTOR SWITCH 0-3 POSITIONS 32A 690V |
| 17       | 3247009     | 6-POLE TERMINAL BLOCK FV122/B 40A 600V |
| 22       | 1319547     | SINGLE-POLE PUSH-BUTTON 16A 250V       |
| 23       | 1319562     | PUSH-BUTTON SUPPORT                    |
| 24       | 1319550     | CHROME-PLATED PUSH-BUTTON              |
| 25       | 1528135     | PIN ø 3.2x32 mm                        |
| 26       | 1319578     | CHROME-PLATED PUSH-BUTTON              |
| 28       | 1054048     | DOSER CONTROL BOX 2 GROUPS 230V        |
| 30       | 3247009     | 6-POLE TERMINAL BLOCK FV122/B 40A 600V |
| 31       | 1221023     | RED INDICATOR LIGHT ø 8 mm             |
| 32       | 1319542     | BIPOLAR SWITCH 16A 250V                |
| 34       | 1341042     | LEVEL ADJUSTER RL30/1E/2C/F 230V       |
| 37       | 1351021     | RELAY G7L-2A-TUB 25A 240V              |
| 38       | 1319544     | SINGLE-POLE SWITCH 16A 250V            |



## XE-XD BODY PARTS







# GAGGIA

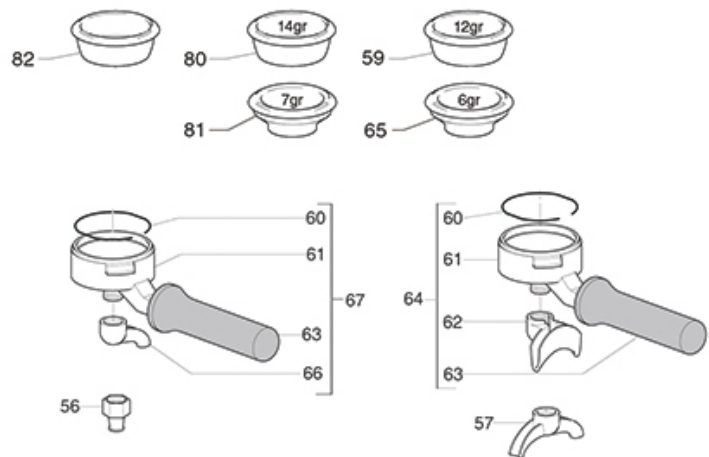
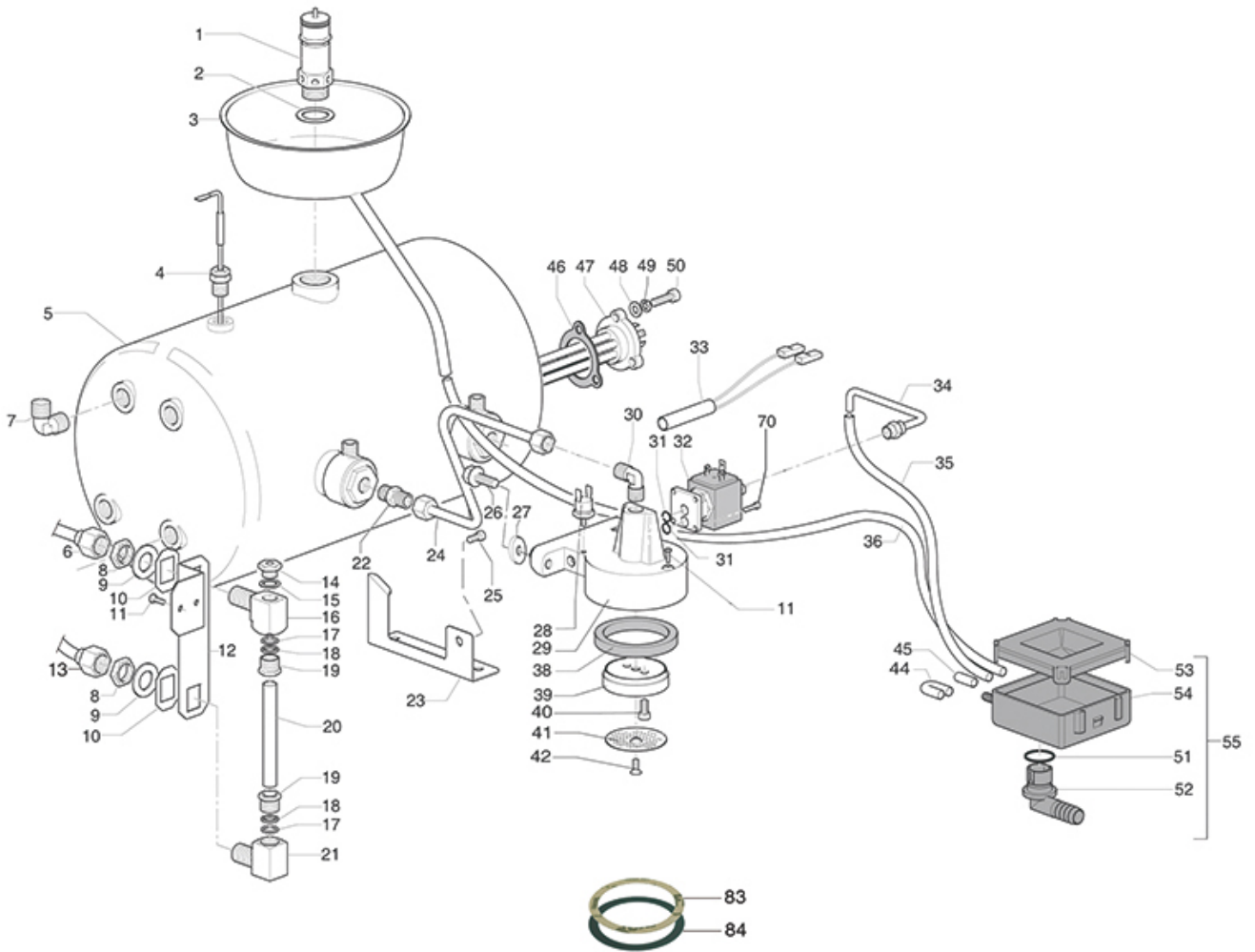


| Position | LF code no. | Description                       |
|----------|-------------|-----------------------------------|
| 13       | 1528100     | CROSS HEAD SCREW M4x12 UNI 7687   |
| 100      | 3080011     | KNOCK BOX DRAWER                  |
| 200      | 3080001     | KNOCKBOX DRAWER                   |
| 300      | 3080002     | S/STEEL DRAWER FOR COFFEE GROUNDS |



## XE-XD GROUP/BOILER/LEVEL

**XE-XD**





# GAGGIA

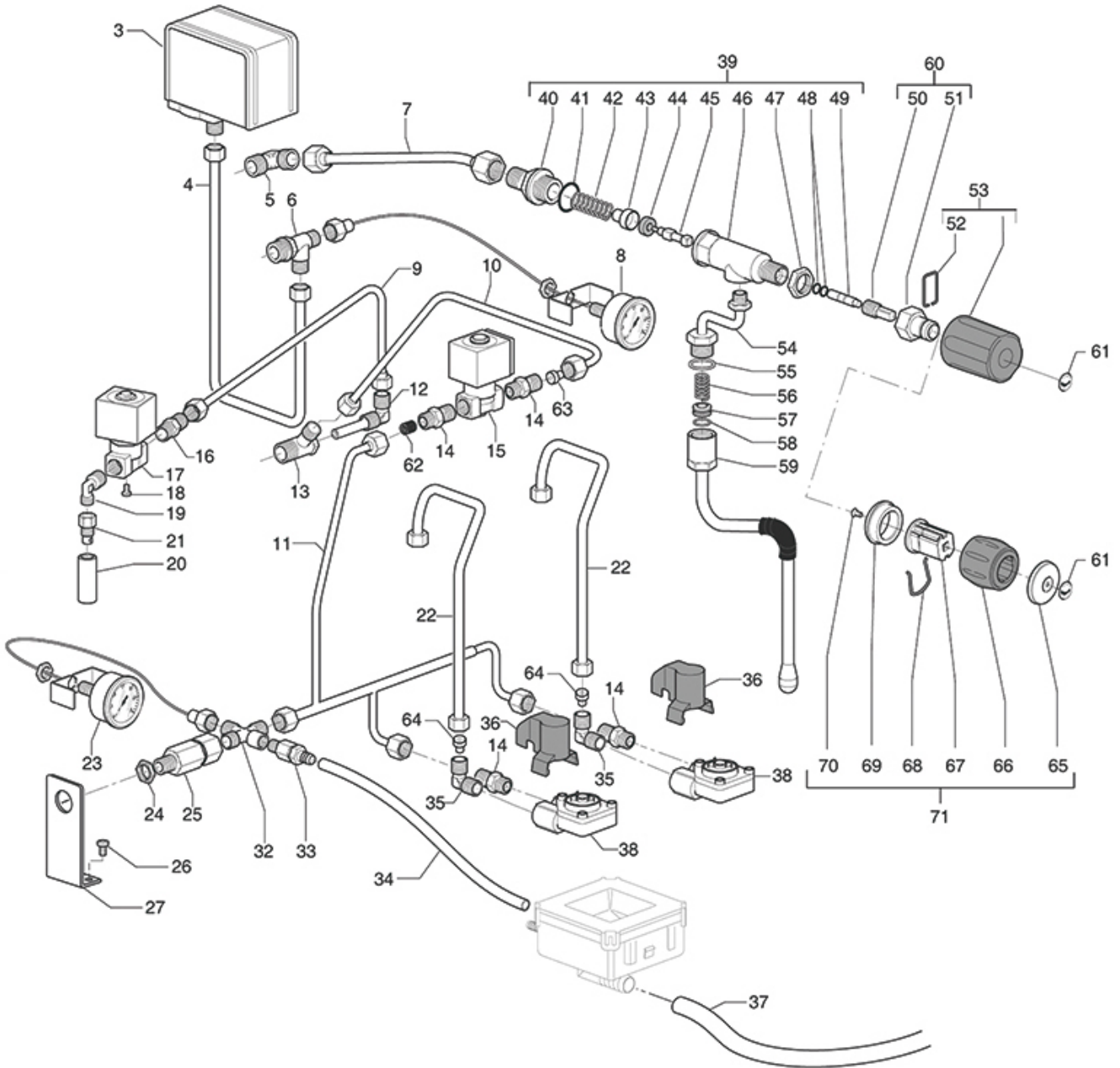


| Pos. | LF code no. | Description  | Pos. | LF code no. | Description   |
|------|-------------|--|------|-------------|---|
| 1    | 1523572     | BOILER VALVE $\varnothing$ 3/8"M - 1,8 bar CE/PED    | 106  | 1385041     | POLISHED ALUMINUM TAMPER $\varnothing$ 57 mm          |
| 2    | 1186620     | COPPER FLAT GASKET $\varnothing$ 22x17x1.5 mm        | 106  | 1385053     | ANODISED ALUMINUM TAMPER $\varnothing$ 58 mm          |
| 4    | 1341016     | LEVEL PROBE $\varnothing$ 1/4"M-123 mm               | 107  | 1385600     | DYNAMOMETRIC MANUAL COFFEE TAMPER $\varnothing$ 57 mm |
| 7    | 1349706     | L-FITTING $\varnothing$ 3/8"M-3/8"M NICKEL-PLATED    |      |             |   |
| 8    | 1348036     | NUT $\varnothing$ 3/8" WRENCH 21x6mm                 |      |             |   |
| 9    | 1186399     | ZINC-PLATED WASHER 30x17x3 mm                        |      |             |   |
| 11   | 1528100     | CROSS HEAD SCREW M4x12 UNI 7687                      |      |             |   |
| 14   | 1523537     | BOILER VALVE $\varnothing$ 1/4"M                     |      |             |   |
| 15   | 1186404     | TEFLON FLAT GASKET $\varnothing$ 18x13x2 mm          |      |             |   |
| 17   | 1186318     | O-RING 03043 EPDM                                    |      |             |   |
| 18   | 1786037     | STUFFING GLAND RING $\varnothing$ 15x11.5x3 mm       |      |             |   |
| 19   | 1349070     | FITTING $\varnothing$ 3/8"M HOLE $\varnothing$ 12 mm |      |             |   |
| 20   | 1201053     | LEVEL GLASS $\varnothing$ 11x95 mm                   |      |             |   |
| 25   | 1528622     | S/S SCREW T.E. M8x16 UNI 5739 DIN 24017              |      |             |   |
| 26   | 1528622     | S/S SCREW T.E. M8x16 UNI 5739 DIN 24017              |      |             |   |
| 28   | 1443011     | CONTACT THERMOSTAT 100°C M4                          |      |             |   |
| 30   | 1349710     | NICHEL PLATED L-FITTING $\varnothing$ 1/4"M-1/4"M    |      |             |   |
| 31   | 1186611     | O-RING 02025 RED SILICONE                            |      |             |   |
| 32   | 1120335     | 3-WAY SOLENOID VALVE PARKER 230V 50/60Hz             |      |             |   |
| 33   | 1755826     | CARTRIDGE HEATING ELEMENT 80W 240V                   |      |             |   |
| 35   | 1449283     | SILICONE HOSE $\varnothing$ 5x10 SHORE 60 - 100 m    |      |             |   |
| 35   | 1449683     | SILICONE HOSE $\varnothing$ 5x10 SHORE 60 - 10 m     |      |             |   |
| 36   | 1449283     | SILICONE HOSE $\varnothing$ 5x10 SHORE 60 - 100 m    |      |             |   |
| 36   | 1449683     | SILICONE HOSE $\varnothing$ 5x10 SHORE 60 - 10 m     |      |             |   |
| 38   | 1186676     | FILTER HOLDER GASKET $\varnothing$ 72x56x8.5 mm      |      |             |   |
| 38   | 1186722     | FILTER HOLDER GASKET $\varnothing$ 73x57x8 mm        |      |             |   |
| 38   | 1186723     | FILTER HOLDER GASKET $\varnothing$ 73x57x8.5 mm      |      |             |   |
| 38   | 1186724     | FILTER HOLDER GASKET $\varnothing$ 73x57x9 mm        |      |             |   |
| 38   | 1186741     | FILTER HOLDER GASKET $\varnothing$ 72x56x8.5 mm      |      |             |   |
| 39   | 1086509     | SHOWER HOLDER DIFFUSER                               |      |             |   |
| 40   | 1184010     | STAINLESS STEEL SCREW M6x10 UNI 9327                 |      |             |   |
| 41   | 1081021     | SHOWER SCREEN $\varnothing$ 55 mm                    |      |             |   |
| 44   | 1449283     | SILICONE HOSE $\varnothing$ 5x10 SHORE 60 - 100 m    |      |             |   |
| 44   | 1449683     | SILICONE HOSE $\varnothing$ 5x10 SHORE 60 - 10 m     |      |             |   |
| 46   | 1186584     | TRIANGULAR GASKET FOR HEATING ELEMENT                |      |             |   |
| 46   | 1186635     | TRIANGULAR GASKET FOR HEATING ELEMENT                |      |             |   |
| 46   | 1786006     | TRIANGULAR GASKET FOR HEATING ELEMENT                |      |             |   |
| 47   | 1755056     | HEATING ELEMENT 4000/4760W 220/240V                  |      |             |   |
| 47   | 1755270     | HEATING ELEMENT 5465W 230V                           |      |             |   |
| 48   | 1186043     | ZINC-PLATED FLAT WASHER 16x8,5x1,6                   |      |             |   |
| 51   | 1786233     | O-RING 03087 EPDM                                    |      |             |   |
| 52   | 1527044     | HOSE-END FITTING FOR DRAIN TANK                      |      |             |   |
| 55   | 1527043     | DRAIN TANK   |      |             |   |
| 56   | 1022503     | STRAIGHT SINGLE SPOUT $\varnothing$ 3/8"             |      |             |   |
| 57   | 1022524     | DOUBLE SPOUT $\varnothing$ 3/8"                      |      |             |   |
| 59   | 1160252     | 2-CUP FILTER 12 GRAMS                                |      |             |   |
| 60   | 1250333     | FILTER BLOCKING SPRING $\varnothing$ 1.3 mm ST.STEEL |      |             |   |
| 61   | 1165026     | FILTER HOLDER GAGGIA/SAECO                           |      |             |   |
| 62   | 1022506     | DOUBLE SPOUT $\varnothing$ 3/8"                      |      |             |   |
| 63   | 1141005     | FILTER HOLDER KNOB M10                               |      |             |   |
| 64   | 1165108     | COMPLETE FILTER HOLDER 2 CUPS GAGGIA                 |      |             |   |
| 65   | 1160251     | 1 CUP FILTER 6 g                                     |      |             |   |
| 66   | 1022501     | SINGLE SPOUT $\varnothing$ 3/8"                      |      |             |   |
| 67   | 1165109     | COMPLETE FILTER HOLDER 1 CUP GAGGIA                  |      |             |   |
| 70   | 1184006     | S/S SCREW T.C.C.E.I. M4x12 UNI 7984                  |      |             |   |
| 80   | 1160262     | 2-CUP FILTER 14 GRAMS                                |      |             |   |
| 81   | 1160261     | 1 CUP FILTER 7 gr                                    |      |             |   |
| 82   | 1160339     | BLIND FILTER   |      |             |   |
| 83   | 1190011     | PAPER SEAL $\varnothing$ 72x58x0.8 mm                |      |             |   |
| 84   | 1190002     | RUBBER SEAL $\varnothing$ 73x59x1 mm EPDM            |      |             |   |
| 100  | 1069001     | PLASTIC MEASURING SPOON 20 ml                        |      |             |   |
| 101  | 1069002     | STAINLESS STEEL MEASURING SPOON 20 ml                |      |             |   |
| 102  | 1384003     | BLACK SHOWER CLEANING BRUSH                          |      |             |   |
| 103  | 1384002     | BRUSH FOR MAINTENANCE                                |      |             |   |
| 104  | 1384001     | BRUSH FOR COFFEE SHOWER                              |      |             |   |
| 105  | 1385002     | NYLON COFFEE TAMPER $\varnothing$ 50/57 mm           |      |             |   |



## XE-XD WATER/STEAM TAPS

**XE-XD**



|         |         |            |
|---------|---------|------------|
| 0+100°C | ---     | <b>100</b> |
| 0+100°C | ---     | <b>101</b> |
|         | ---     | <b>102</b> |
| 0,60L   | 6 cups  | <b>103</b> |
| 0,70L   | 9 cups  | <b>104</b> |
| 1,10L   | 12 cups | <b>105</b> |
| ---     | ---     | <b>106</b> |

INOX 18/10

|       |         |            |
|-------|---------|------------|
| 0,20L | 2 cups  | <b>200</b> |
| 0,30L | 3 cups  | <b>201</b> |
| 0,45L | 4 cups  | <b>202</b> |
| 0,60L | 6 cups  | <b>203</b> |
| 0,70L | 9 cups  | <b>204</b> |
| 1,10L | 12 cups | <b>205</b> |
| ---   | ---     | <b>206</b> |

INOX 18/10

|       |         |            |
|-------|---------|------------|
| ---   | ---     | <b>300</b> |
| ---   | ---     | <b>301</b> |
| ---   | ---     | <b>302</b> |
| 0,60L | 6 cups  | <b>303</b> |
| 1,00L | 10 cups | <b>304</b> |
| 1,50L | 12 cups | <b>305</b> |
| 2,00L | 15 cups | <b>306</b> |

INOX 18/10

|       |         |            |
|-------|---------|------------|
| 0,25L | 2 cups  | <b>400</b> |
| 0,35L | 3 cups  | <b>401</b> |
| 0,50L | 4 cups  | <b>402</b> |
| 0,75L | 6 cups  | <b>403</b> |
| 1,00L | 10 cups | <b>404</b> |
| 1,50L | 13 cups | <b>405</b> |
| ---   | ---     | <b>406</b> |

INOX 18/10



# GAGGIA



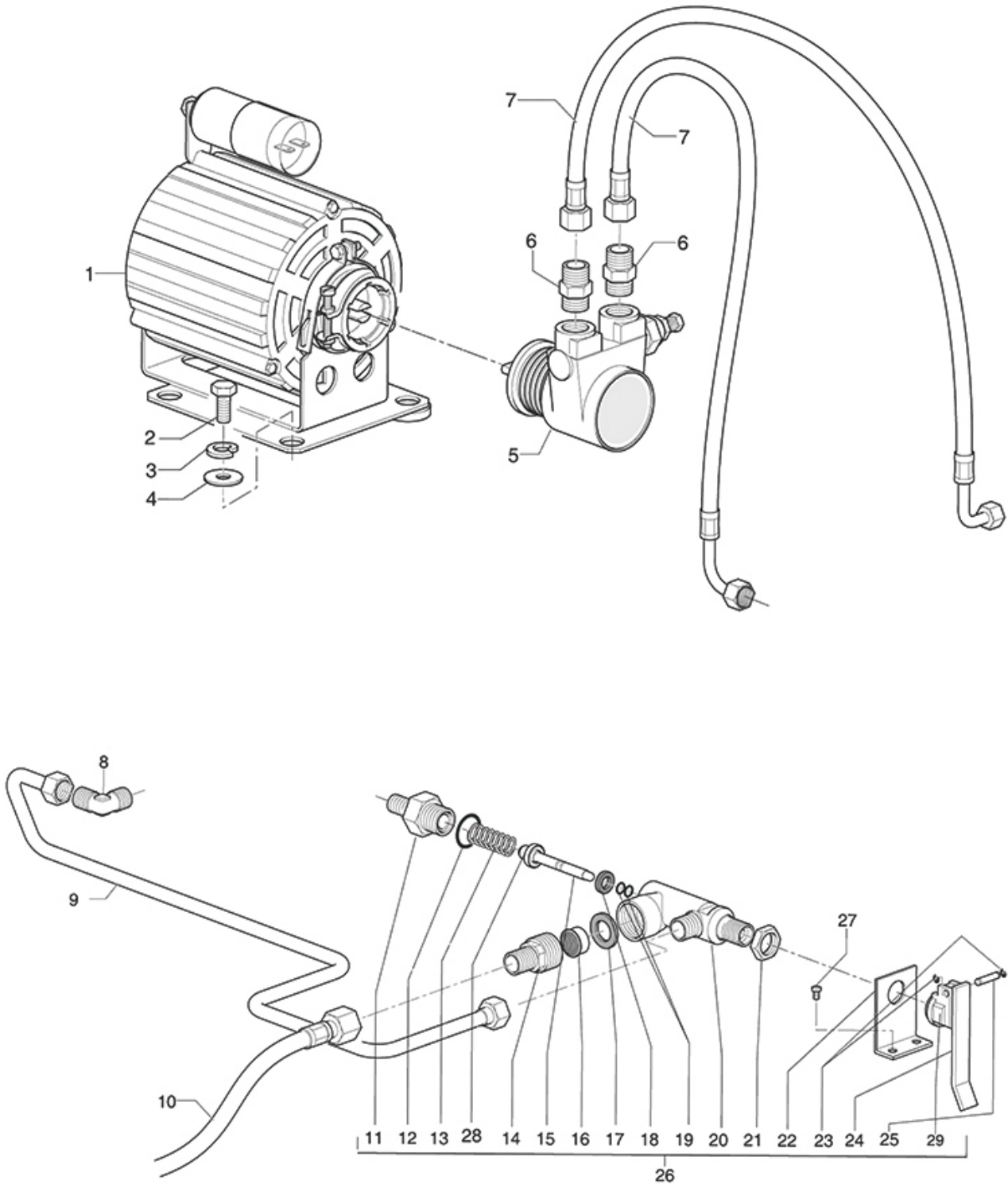
| Position | LF code no. | Description                                       |
|----------|-------------|---|
| 3        | 1320531     | PRESSURE SWITCH P302/6 3-POLES 30A                |
| 5        | 1349706     | L-FITTING $\varnothing$ 3/8"M-3/8"M NICKEL-PLATED |
| 8        | 1245055     | BOILER PRESSURE GAUGE $\varnothing$ 41 mm 0+3 bar |
| 15       | 1120243     | 2-WAYS SOLEN.VALVE PARKER 230V 50/60Hz            |
| 17       | 1120354     | 2-WAY SOLENOID VALVE PARKER 230V 50/60Hz          |
| 23       | 1245061     | PUMP PRESSURE GAUGE $\varnothing$ 41 mm 0+15 bar  |
| 24       | 1755006     | NUT $\varnothing$ 1/4"                            |
| 25       | 1523514     | NON-RETURN VALVE $\varnothing$ 1/4"F-1/4"M        |
| 33       | 1523432     | EXPANSION VALVE $\varnothing$ 1/8"M               |
| 34       | 1449283     | SILICONE HOSE $\varnothing$ 5x10 SHORE 60 - 100 m |
| 34       | 1449683     | SILICONE HOSE $\varnothing$ 5x10 SHORE 60 - 10 m  |
| 38       | 1455060     | VOLUMETRIC FLOWMETER GICAR                        |
| 39       | 1348483     | WATER/STEAM TAP                                   |
| 41       | 1186591     | O-RING 0128 VITON                                 |
| 44       | 1186985     | FLAT EPDM GASKET $\varnothing$ 15x6x6 mm          |
| 45       | 1324158     | WATER/STEAM TAP PIN                               |
| 47       | 1348036     | NUT $\varnothing$ 3/8" WRENCH 21x6mm              |
| 48       | 1186900     | O-RING 02015 VITON                                |
| 49       | 5038097     | TAP SHUTTER CONTROL PIN                           |
| 50       | 1324089     | STEAM TAP SPINDLE                                 |
| 51       | 1439026     | STEAM TAP EXTENSION                               |
| 52       | 1250206     | HANDLE SPRING                                     |
| 53       | 1241176     | WATER/STEAM TAP KNOB                              |
| 55       | 1786232     | O-RING 02062 BROWN VITON                          |
| 56       | 1250534     | SPRING $\varnothing$ 12x22 mm                     |
| 57       | 1786230     | TEFLON CONICAL SEAL $\varnothing$ 14.5x6.5x9 mm   |
| 58       | 1186626     | O-RING 0114 EPDM                                  |
| 59       | 1549021     | COMPLETE STEAM PIPE $\varnothing$ 10 mm           |
| 60       | 1324400     | TAP SPINDLE                                       |
| 61       | 1241417     | STEAM SILK SCREEN PRINT. F. HANDLE                |
| 71       | 1241176     | WATER/STEAM TAP KNOB                              |
| 90       | 1394553     | POCKET ANALOG THERMOMETER $\varnothing$ 25 mm     |
| 91       | 1394554     | ANALOG THERMOMETER $\varnothing$ 45 mm            |
| 103      | 1024051     | SERVING COFFEE POT PRATIKA 0.60 L                 |
| 104      | 1024052     | SERVING COFFEE POT PRATIKA 0.70 L                 |
| 105      | 1024053     | SERVING COFFEE POT PRATIKA 1.10 L                 |
| 200      | 1024001     | MILK PITCHER PRATIKA 0.20 L                       |
| 201      | 1024002     | MILK PITCHER PRATIKA 0.30 L                       |
| 202      | 1024003     | MILK PITCHER PRATIKA 0.45 L                       |
| 203      | 1024004     | MILK PITCHER PRATIKA 0.60 L                       |
| 204      | 1024005     | MILK PITCHER PRATIKA 0.70 L                       |
| 205      | 1024006     | MILK PITCHER PRATIKA 1.10 L                       |
| 303      | 1224000     | MILK PITCHER WITH SPOUT 0.60 L                    |
| 304      | 1224001     | MILK PITCHER WITH SPOUT 1 L                       |
| 305      | 1224002     | MILK PITCHER WITH SPOUT 1.5 L                     |
| 306      | 1224003     | MILK PITCHER WITH SPOUT 2 L                       |
| 400      | 1224014     | MILK PITCHER EUROPA WITH SPOUT 0.25 L             |
| 401      | 1224015     | MILK PITCHER EUROPA WITH SPOUT 0.35 L             |
| 402      | 1224010     | MILK PITCHER EUROPA WITH SPOUT 0.50 L             |
| 403      | 1224011     | MILK PITCHER EUROPA WITH SPOUT 0.75 L             |
| 404      | 1224012     | MILK PITCHER EUROPA WITH SPOUT 1 L                |
| 405      | 1224013     | MILK PITCHER EUROPA WITH SPOUT 1.5 L              |





## XE-XD INLET TAP AND MOTOR

XE-XD





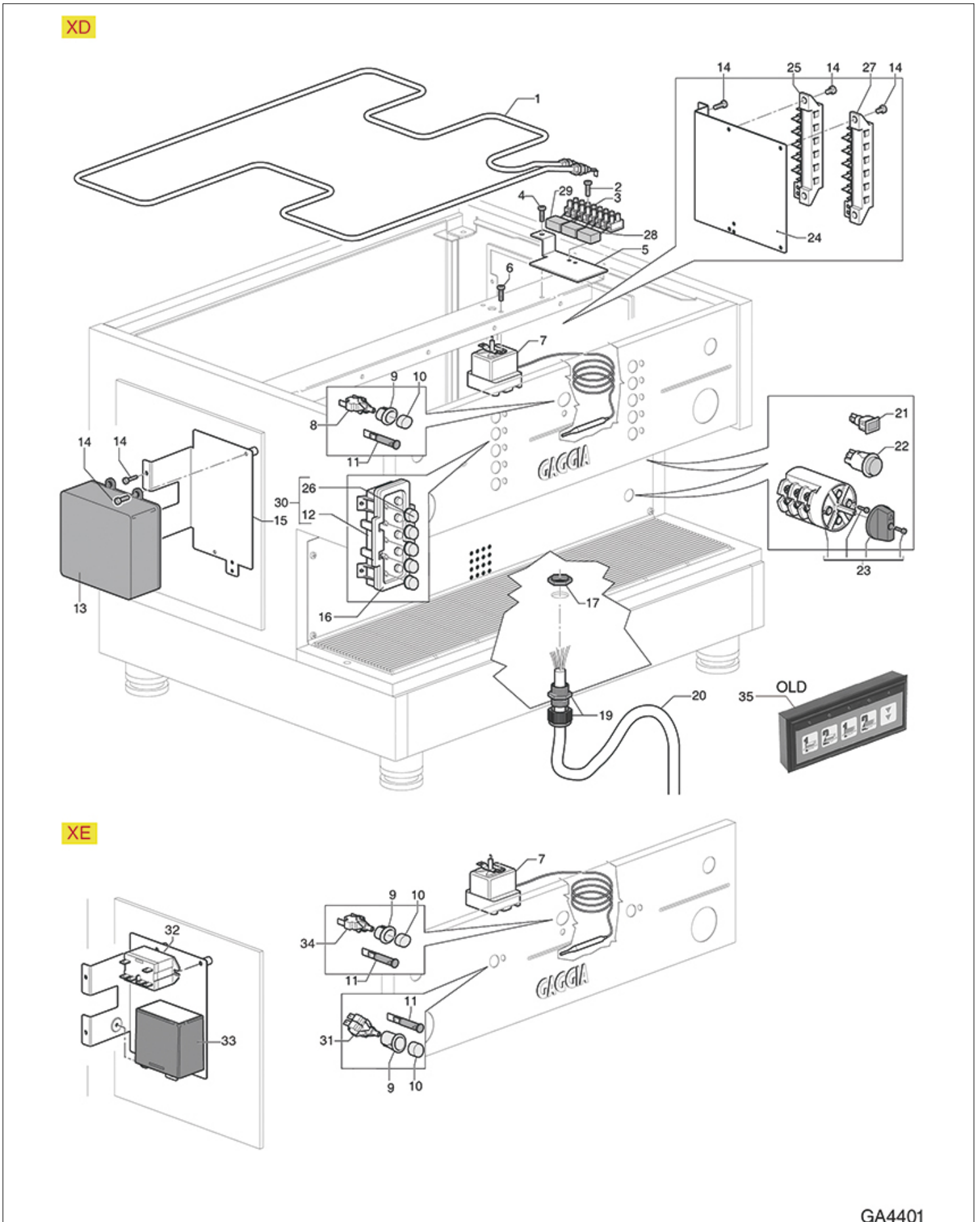
# GAGGIA



| Position | LF code no. | Description                                       |
|----------|-------------|---|
| 1        | 1240368     | RPM CLAMP MOTOR 165W                              |
| 5        | 1330001     | ROTARY VANE PUMP ROTOFLOW $\varnothing$ 3/8" NPT  |
| 6        | 1349112     | FITTING $\varnothing$ 1/4"M-3/8"M                 |
| 8        | 1349706     | L-FITTING $\varnothing$ 3/8"M-3/8"M NICKEL-PLATED |
| 12       | 3186181     | O-RING 03068 EPDM                                 |
| 16       | 1449317     | WATER PIPE NOZZLE                                 |
| 17       | 1786231     | FLAT GASKET EPDM $\varnothing$ 24x15x3 mm         |
| 18       | 1186983     | FLAT GASKET VITON $\varnothing$ 15x7x3 mm         |
| 19       | 1186900     | O-RING 02015 VITON                                |
| 21       | 1348036     | NUT $\varnothing$ 3/8" WRENCH 21x6mm              |
| 24       | 1241150     | INLET TAP LEVER                                   |
| 25       | 1324159     | PIN $\varnothing$ 5x20.5 mm                       |
| 26       | 1358005     | COMPLETE WATER INLET TAP                          |
| 29       | 1358007     | NUT FOR INLET TAP LEVER                           |



## XE-XD ELECTRICAL SYSTEM





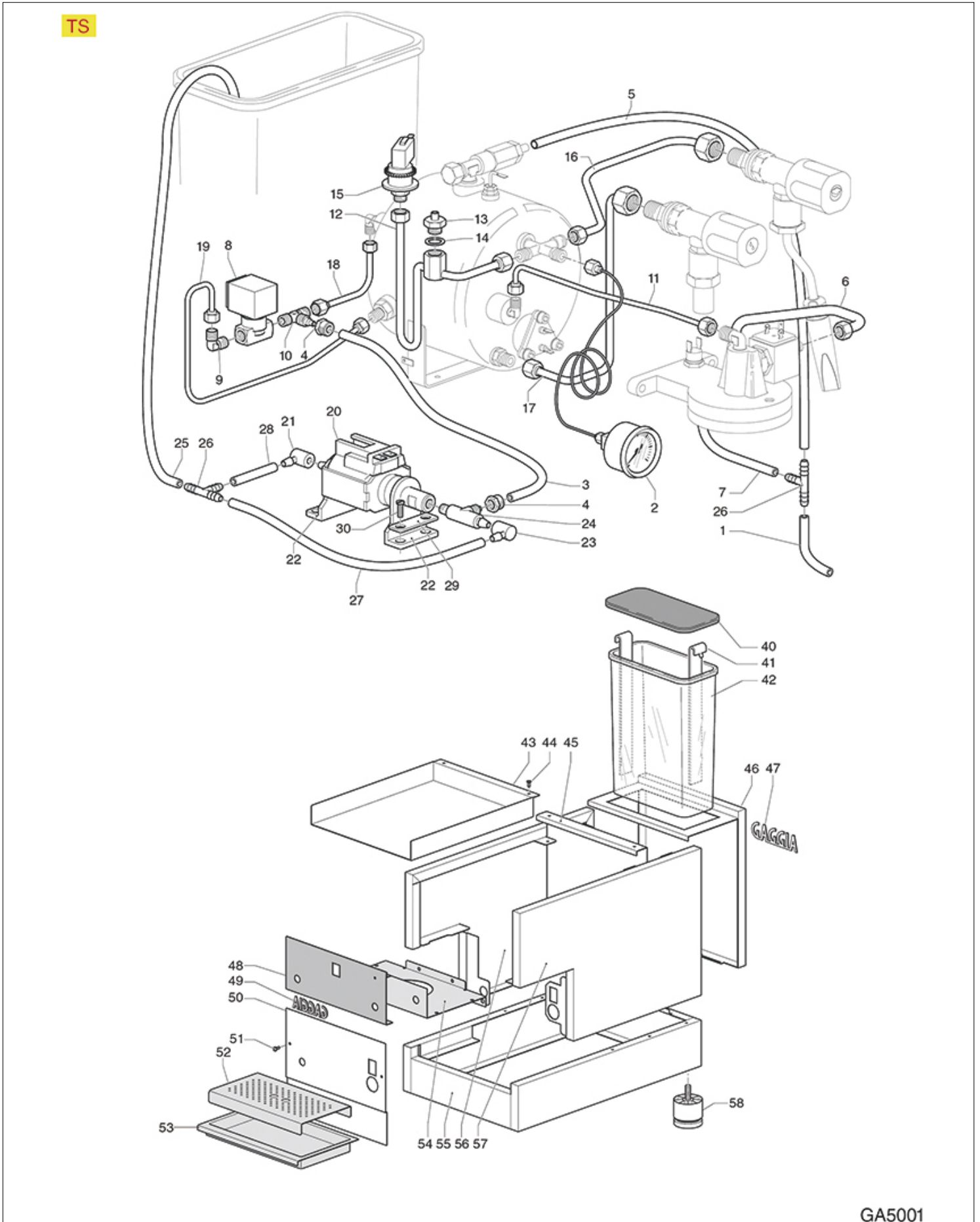
# GAGGIA



| Position | LF code no. | Description                            |
|----------|-------------|--|
| 7        | 3444442     | THREE-PHASE THERMOSTAT 170°C           |
| 8        | 1319082     | SINGLE-POLE PUSH BUTTON 16A 250V       |
| 11       | 3221284     | RED INDICATOR LAMP 250V                |
| 13       | 1054048     | DOSER CONTROL BOX 2 GROUPS 230V        |
| 13       | 1054557     | DOSER CONTROL BOX 2 GROUPS 230V        |
| 14       | 1528100     | CROSS HEAD SCREW M4x12 UNI 7687        |
| 21       | 1221057     | GREEN INDICATOR LIGHT 250 V            |
| 22       | 3319948     | RED BIPOLAR SWITCH 16A 250V            |
| 23       | 3057296     | SELECTOR SWITCH 0-3 POSITIONS 32A 690V |
| 25       | 3247009     | 6-POLE TERMINAL BLOCK FV122/B 40A 600V |
| 26       | 1319578     | CHROME-PLATED PUSH-BUTTON              |
| 27       | 3247009     | 6-POLE TERMINAL BLOCK FV122/B 40A 600V |
| 30       | 1319528     | PUSH-BUTTON PANEL 5 BUTTONS            |
| 31       | 3319920     | BLACK TWO-POLE SWITCH 16A 250V         |
| 32       | 1351021     | RELAY G7L-2A-TUB 25A 240V              |
| 33       | 1341041     | LEVEL CONTROLLER RL 1E/2C/F 230V       |
| 34       | 3319921     | SINGLE-POLE SWITCH 16A 250V            |
| 35       | 1319067     | PUSH-BUTTON PANEL 5 BUTTONS            |



## TS BOBY AND HYDRAULIC CIRCUIT







# GAGGIA

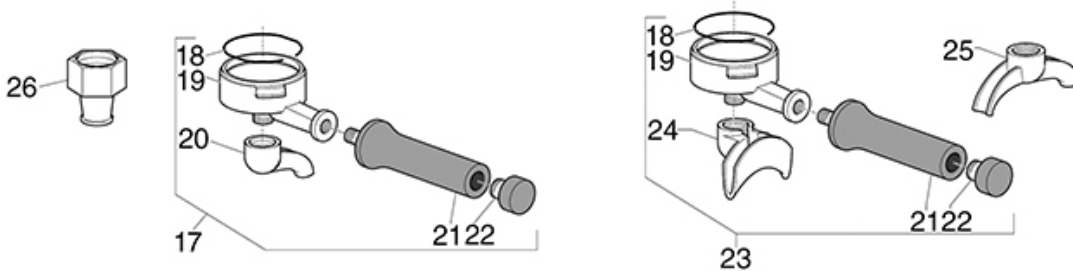
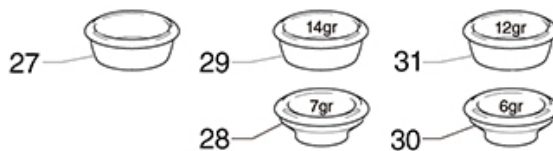
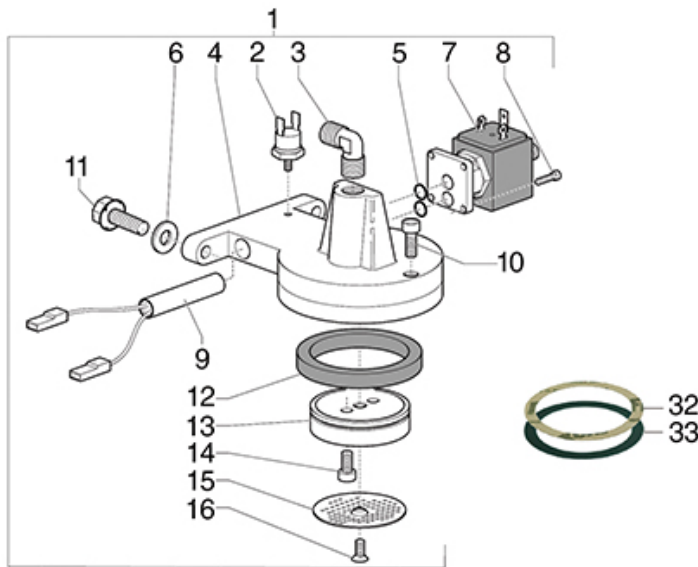
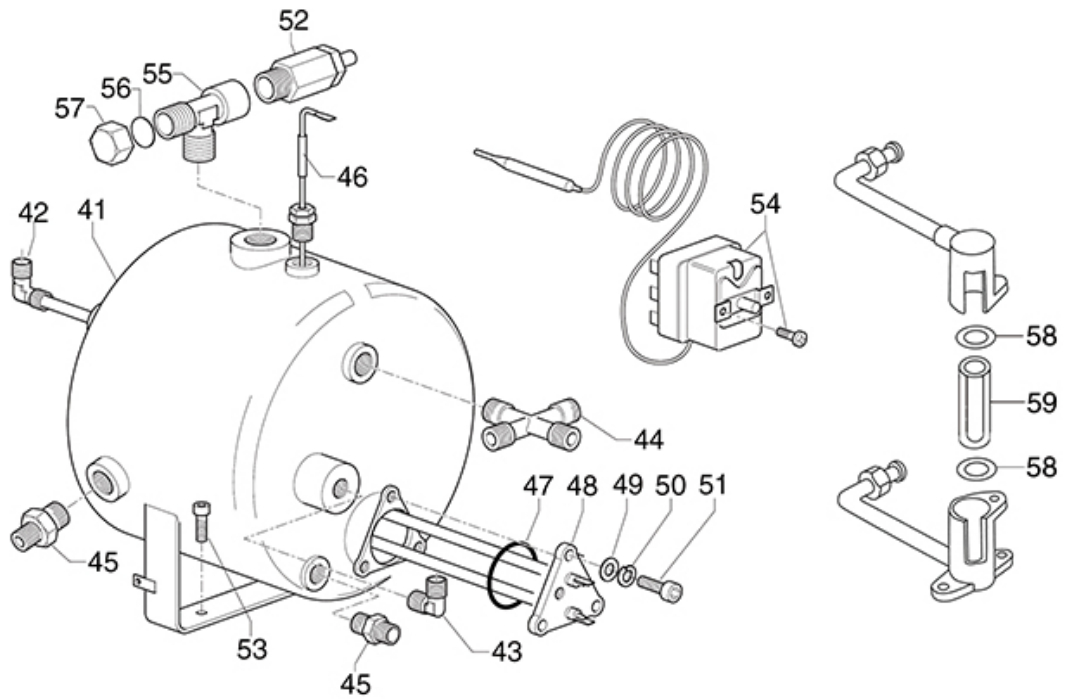


| Position | LF code no. | Description                                       |
|----------|-------------|---|
| 1        | 1449283     | SILICONE HOSE $\varnothing$ 5x10 SHORE 60 - 100 m |
| 1        | 1449683     | SILICONE HOSE $\varnothing$ 5x10 SHORE 60 - 10 m  |
| 2        | 1245056     | BOILER PRESSURE GAUGE $\varnothing$ 41 mm 0÷3 bar |
| 5        | 1449283     | SILICONE HOSE $\varnothing$ 5x10 SHORE 60 - 100 m |
| 5        | 1449683     | SILICONE HOSE $\varnothing$ 5x10 SHORE 60 - 10 m  |
| 7        | 1449283     | SILICONE HOSE $\varnothing$ 5x10 SHORE 60 - 100 m |
| 7        | 1449683     | SILICONE HOSE $\varnothing$ 5x10 SHORE 60 - 10 m  |
| 8        | 1120243     | 2-WAYS SOLEN.VALVE PARKER 230V 50/60Hz            |
| 9        | 1349710     | NICHEL PLATED L-FITTING $\varnothing$ 1/4"M-1/4"M |
| 13       | 1523537     | BOILER VALVE $\varnothing$ 1/4"M                  |
| 14       | 1186404     | TEFLON FLAT GASKET $\varnothing$ 18x13x2 mm       |
| 15       | 1320022     | PRESSURE SWITCH XP110 125 1-2.5 BAR 1/4"          |
| 20       | 1122737     | VIBRATORY PUMP EP5 48W 230V 50Hz                  |
| 21       | 1349651     | PIPETTE FITTING 90°                               |
| 22       | 1331023     | SQUARE DAMPER EX-EP-EK-EA                         |
| 23       | 1349651     | PIPETTE FITTING 90°                               |
| 26       | 1315008     | T-SHAPED HOSE END FITTING $\varnothing$ 8 mm      |
| 27       | 1449283     | SILICONE HOSE $\varnothing$ 5x10 SHORE 60 - 100 m |
| 27       | 1449683     | SILICONE HOSE $\varnothing$ 5x10 SHORE 60 - 10 m  |
| 28       | 1449283     | SILICONE HOSE $\varnothing$ 5x10 SHORE 60 - 100 m |
| 28       | 1449683     | SILICONE HOSE $\varnothing$ 5x10 SHORE 60 - 10 m  |
| 40       | 1080115     | WATER TANK LID BLACK                              |
| 44       | 1528100     | CROSS HEAD SCREW M4x12 UNI 7687                   |



## TS GROUP/BOILER

**TS**





# GAGGIA

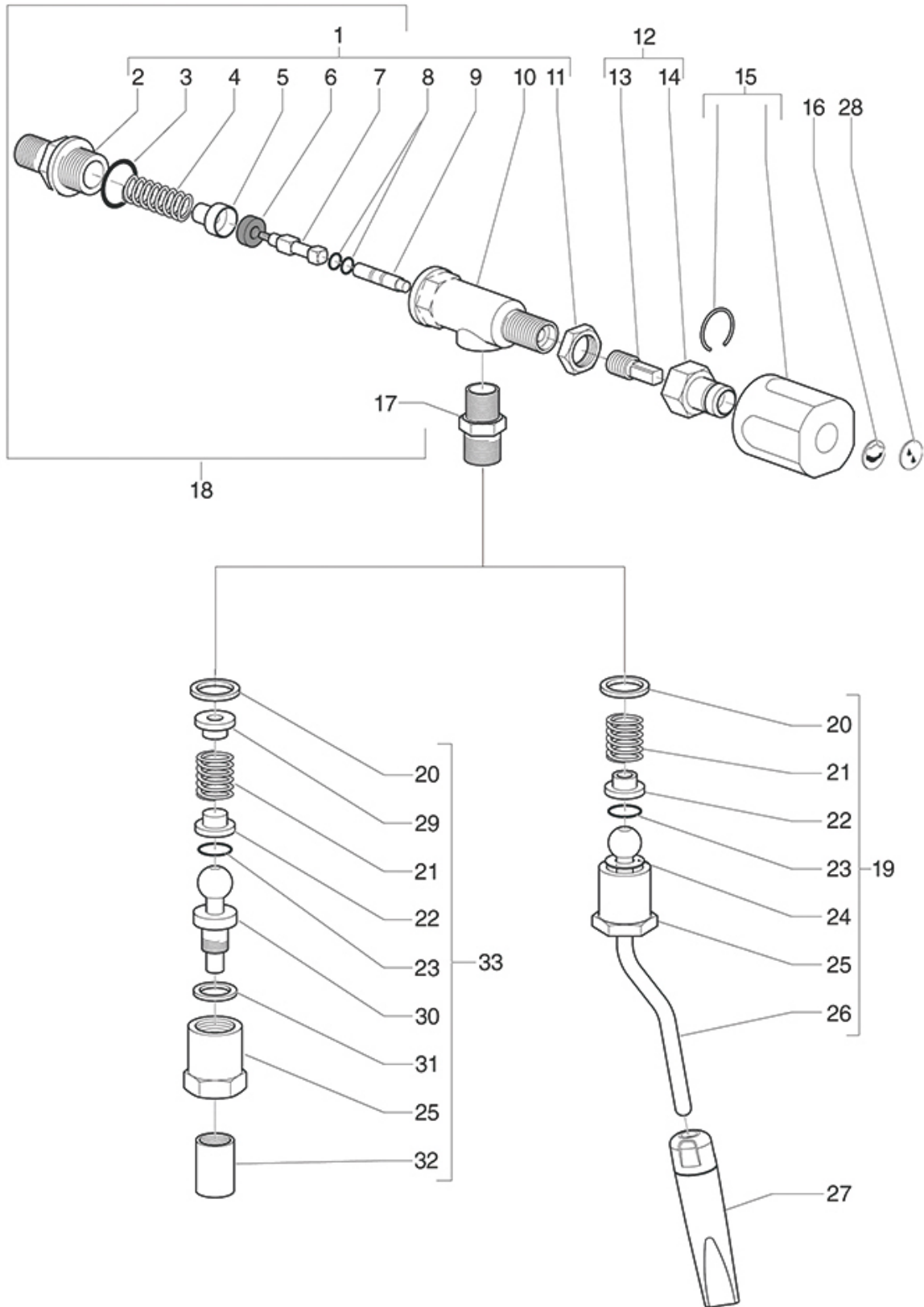


| Position | LF code no. | Description                              |
|----------|-------------|--|
| 2        | 1443011     | CONTACT THERMOSTAT 100°C M4              |
| 3        | 1349710     | NICHEL PLATED L-FITTING ø 1/4"M-1/4"M    |
| 5        | 1186611     | O-RING 02025 RED SILICONE                |
| 7        | 1120335     | 3-WAY SOLENOID VALVE PARKER 230V 50/60Hz |
| 8        | 1184006     | S/S SCREW T.C.C.E.I. M4x12 UNI 7984      |
| 9        | 1755826     | CARTRIDGE HEATING ELEMENT 80W 240V       |
| 11       | 1528622     | S/S SCREW T.E. M8x16 UNI 5739 DIN 24017  |
| 12       | 1186676     | FILTER HOLDER GASKET ø 72x56x8.5 mm      |
| 12       | 1186722     | FILTER HOLDER GASKET ø 73x57x8 mm        |
| 12       | 1186723     | FILTER HOLDER GASKET ø 73x57x8.5 mm      |
| 12       | 1186724     | FILTER HOLDER GASKET ø 73x57x9 mm        |
| 12       | 1186741     | FILTER HOLDER GASKET ø 72x56x8.5 mm      |
| 13       | 1086509     | SHOWER HOLDER DIFFUSER                   |
| 14       | 1184010     | STAINLESS STEEL SCREW M6x10 UNI 9327     |
| 15       | 1081021     | SHOWER SCREEN ø 55 mm                    |
| 18       | 1250333     | FILTER BLOCKING SPRING ø 1.3 mm ST.STEEL |
| 19       | 1165026     | FILTER HOLDER GAGGIA/SAECO               |
| 20       | 1022501     | SINGLE SPOUT ø 3/8"                      |
| 24       | 1022506     | DOUBLE SPOUT ø 3/8"                      |
| 25       | 1022524     | DOUBLE SPOUT ø 3/8"                      |
| 26       | 1022503     | STRAIGHT SINGLE SPOUT ø 3/8"             |
| 27       | 1160339     | BLIND FILTER                             |
| 28       | 1160261     | 1 CUP FILTER 7 gr                        |
| 29       | 1160262     | 2-CUP FILTER 14 GRAMS                    |
| 30       | 1160251     | 1 CUP FILTER 6 g                         |
| 31       | 1160252     | 2-CUP FILTER 12 GRAMS                    |
| 32       | 1190011     | PAPER SEAL ø 72x58x0.8 mm                |
| 33       | 1190002     | RUBBER SEAL ø 73x59x1 mm EPDM            |
| 47       | 1186798     | O-RING 0146 VITON                        |
| 48       | 1755264     | HEATING ELEMENT 1500W 230V               |
| 50       | 1186043     | ZINC-PLATED FLAT WASHER 16x8,5x1,6       |
| 52       | 1720006     | EXPANSION VALVE ø 3/8"M-7 mm 1.9 bar     |
| 54       | 1444048     | SINGLE-PHASE THERMOSTAT 153°C            |
| 58       | 1186318     | O-RING 03043 EPDM                        |
| 59       | 1520004     | LEVEL GLASS ø 11x55 mm                   |
| 100      | 1069001     | PLASTIC MEASURING SPOON 20 ml            |
| 101      | 1069002     | STAINLESS STEEL MEASURING SPOON 20 ml    |
| 102      | 1384003     | BLACK SHOWER CLEANING BRUSH              |
| 103      | 1384002     | BRUSH FOR MAINTENANCE                    |
| 104      | 1384001     | BRUSH FOR COFFEE SHOWER                  |
| 105      | 1385002     | NYLON COFFEE TAMPER ø 50/57 mm           |
| 106      | 1385041     | POLISHED ALUMINUM TAMPER ø 57 mm         |
| 106      | 1385053     | ANODISED ALUMINUM TAMPER ø 58 mm         |
| 107      | 1385600     | DYNAMOMETRIC MANUAL COFFEE TAMPER ø 57mm |



## TS WATER/STEAM TAPS

TS





# GAGGIA



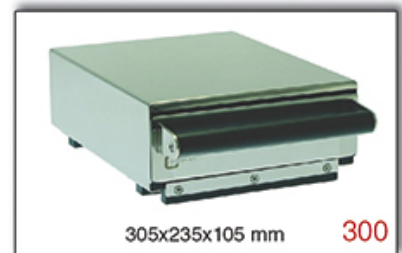
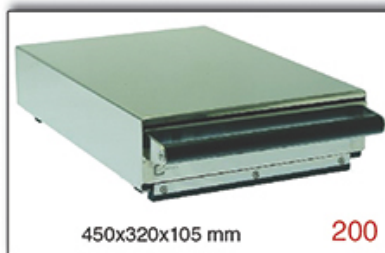
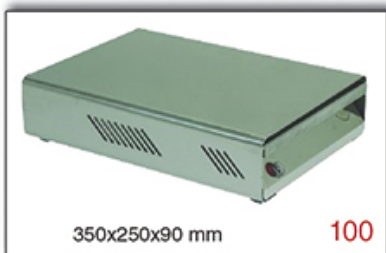
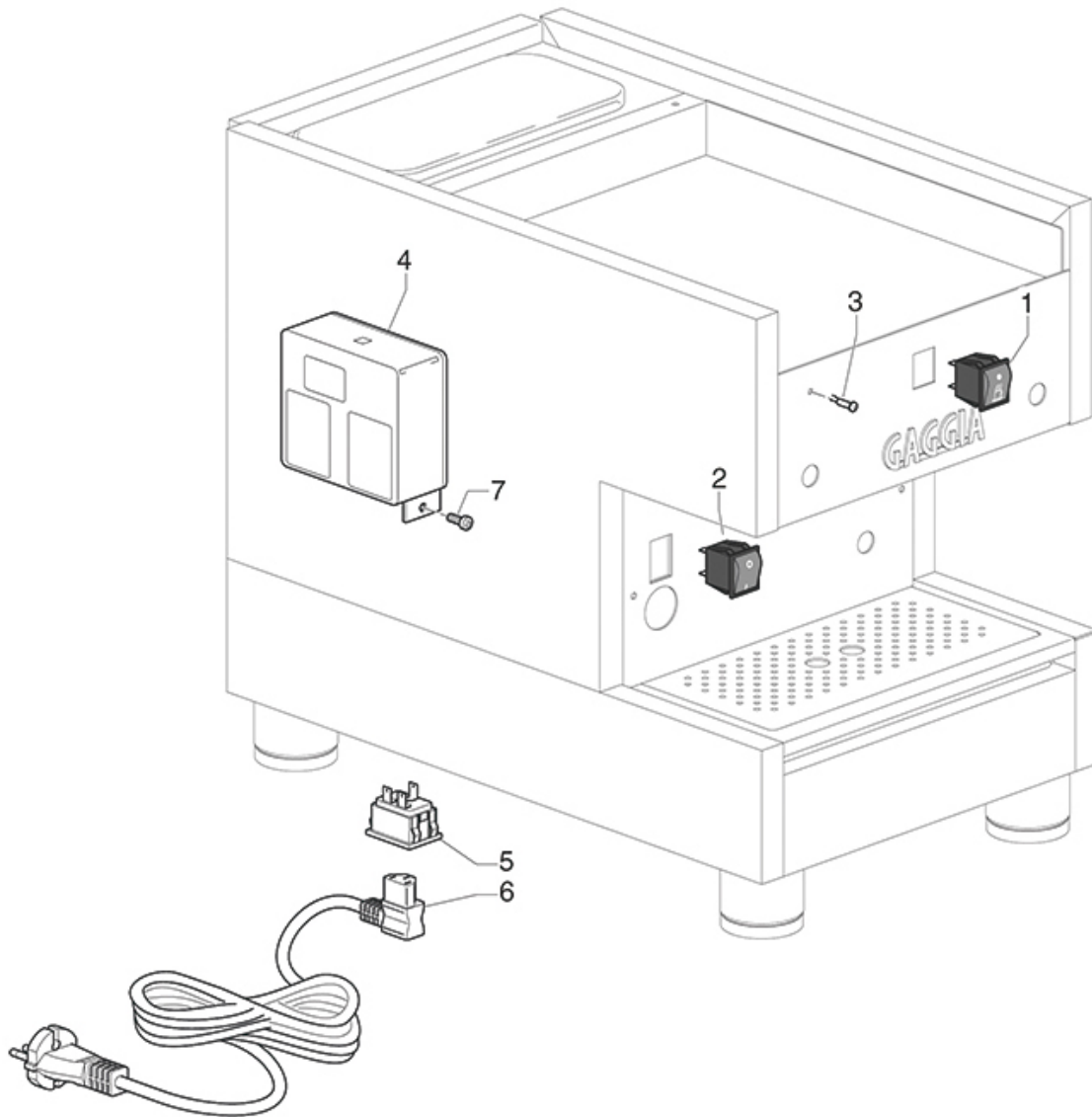
| Position | LF code no. | Description                                     |
|----------|-------------|---|
| 1        | 1348483     | WATER/STEAM TAP                                 |
| 3        | 1186591     | O-RING 0128 VITON                               |
| 6        | 1186985     | FLAT EPDM GASKET $\varnothing$ 15x6x6 mm        |
| 7        | 1324158     | WATER/STEAM TAP PIN                             |
| 8        | 1186900     | O-RING 02015 VITON                              |
| 9        | 5038097     | TAP SHUTTER CONTROL PIN                         |
| 11       | 1348036     | NUT $\varnothing$ 3/8" WRENCH 21x6mm            |
| 12       | 1241176     | WATER/STEAM TAP KNOB                            |
| 13       | 1324089     | STEAM TAP SPINDLE                               |
| 14       | 1439026     | STEAM TAP EXTENSION                             |
| 15       | 1241176     | WATER/STEAM TAP KNOB                            |
| 16       | 1241174     | STEAM SILK SCREEN PRINTING FOR KNOB             |
| 19       | 1549018     | STEAM PIPE COMPLETE $\varnothing$ 6 mm          |
| 20       | 1786232     | O-RING 02062 BROWN VITON                        |
| 21       | 1250534     | SPRING $\varnothing$ 12x22 mm                   |
| 22       | 1786230     | TEFLON CONICAL SEAL $\varnothing$ 14.5x6.5x9 mm |
| 23       | 1186626     | O-RING 0114 EPDM                                |
| 24       | 1186709     | O-RING 0115 VITON                               |
| 27       | 5047887     | PLASTIC PANNARELLO                              |
| 28       | 1241175     | WATER SILK SCREEN PRINTING FOR KNOB             |
| 29       | 1548004     | SPRING BUSHING                                  |
| 31       | 1186709     | O-RING 0115 VITON                               |





## TS ELECTRICAL SYSTEM

TS





# GAGGIA

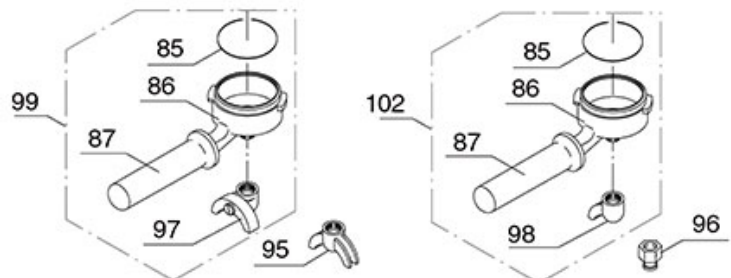
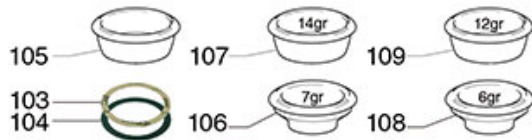
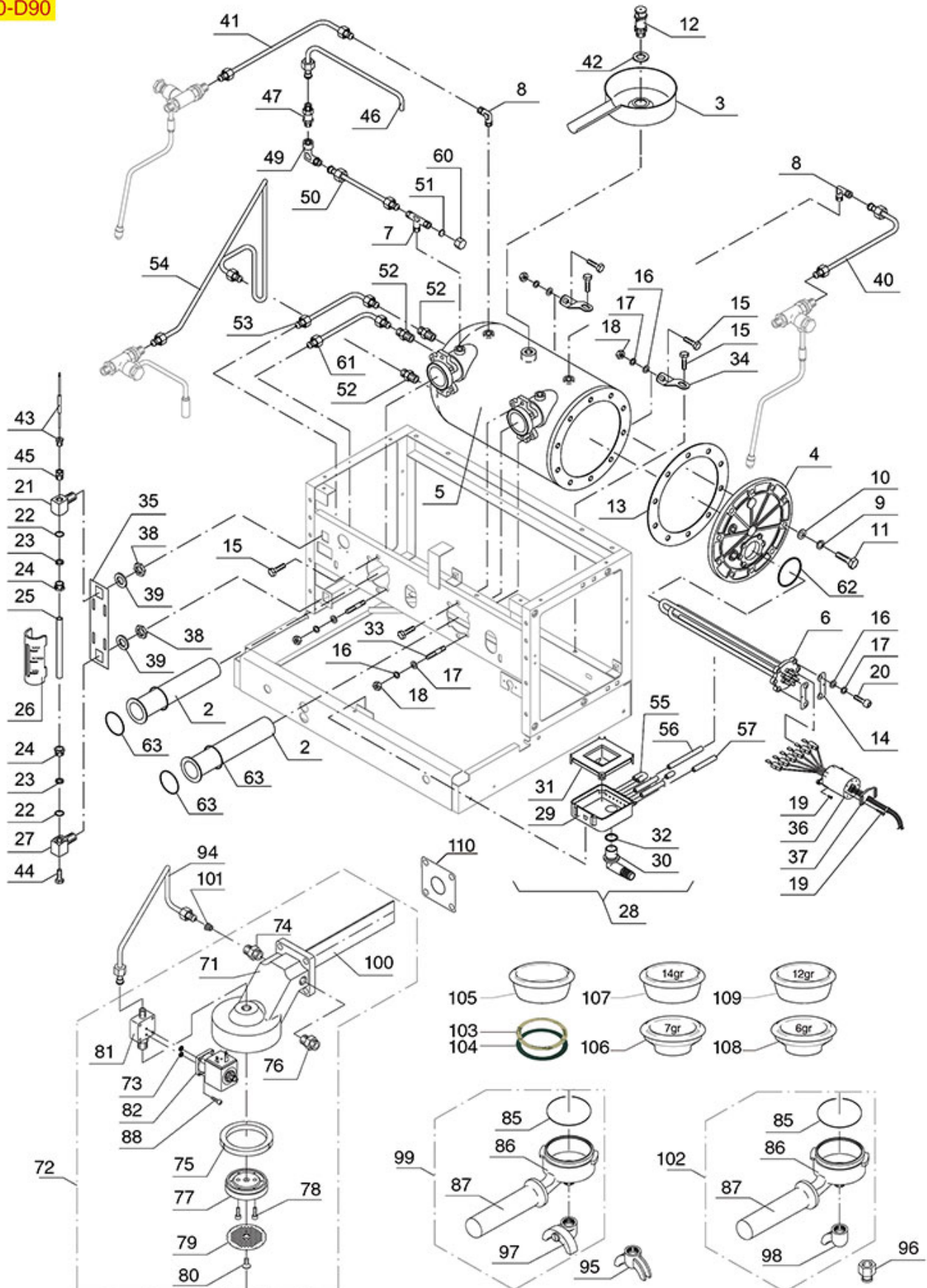


| Position | LF code no. | Description                         |
|----------|-------------|-------------------------------------|
| 1        | 1319527     | RED BIPOLAR SWITCH 16A 250V         |
| 2        | 3319016     | RED BIPOLAR SWITCH 16A 250V         |
| 3        | 3221284     | RED INDICATOR LAMP 250V             |
| 4        | 1054571     | LEVEL REGULATOR RL01E/1S/4C/F 240V  |
| 100      | 1080170     | ST.STEEL DRAWER FOR COFFEE DREGS    |
| 200      | 1480753     | STAINLESS STEEL COFFEE DREGS DRAWER |
| 300      | 1480755     | STAINLESS STEEL COFFEE DREGS DRAWER |



## E90-D90 GROUP/BOILER/LEVEL

E90-D90





# GAGGIA

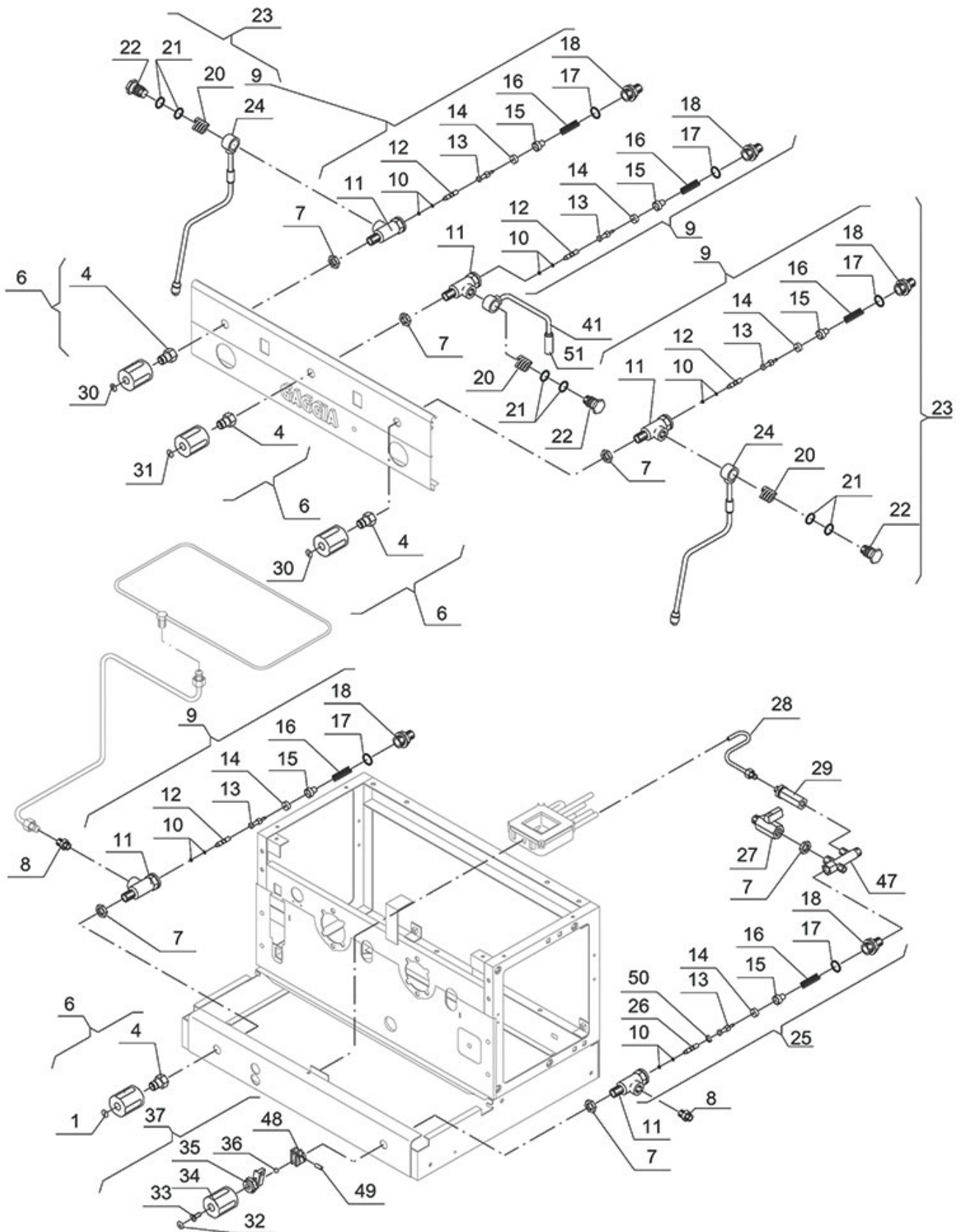


| Position | LF code no. | Description  |
|----------|-------------|--|
| 6        | 1755275     | HEATING ELEMENT 5000W 240V                           |
| 8        | 1349710     | NICHEL PLATED L-FITTING $\varnothing$ 1/4"M-1/4"M    |
| 12       | 1523572     | BOILER VALVE $\varnothing$ 3/8"M - 1,8 bar CE/PED    |
| 13       | 1186296     | BOILER GASKET $\varnothing$ 220x168x2.5 mm           |
| 16       | 1186043     | ZINC-PLATED FLAT WASHER 16x8,5x1,6                   |
| 22       | 1186318     | O-RING 03043 EPDM                                    |
| 23       | 1786037     | STUFFING GLAND RING $\varnothing$ 15x11.5x3 mm       |
| 24       | 1349070     | FITTING $\varnothing$ 3/8"M HOLE $\varnothing$ 12 mm |
| 25       | 1520100     | LEVEL GAUGE GLASS $\varnothing$ 11x140 mm            |
| 26       | 1201565     | LEVEL GAUGE COVER                                    |
| 28       | 1527043     | DRAIN TANK   |
| 30       | 1527044     | HOSE-END FITTING FOR DRAIN TANK                      |
| 32       | 1786233     | O-RING 03087 EPDM                                    |
| 38       | 1348036     | NUT $\varnothing$ 3/8" WRENCH 21x6mm                 |
| 39       | 1186399     | ZINC-PLATED WASHER 30x17x3 mm                        |
| 42       | 1186620     | COPPER FLAT GASKET $\varnothing$ 22x17x1.5 mm        |
| 47       | 1720002     | EXPANSION VALVE $\varnothing$ 1/4"M-1/4"M            |
| 52       | 1349103     | FITTING $\varnothing$ 3/8"M-3/8"M                    |
| 53       | 1786227     | ASBESTOS FREE FLAT GASKET $\varnothing$ 54x40x1.5 mm |
| 62       | 1786228     | EXEMPT FLAT GASKET $\varnothing$ 61x40x2 mm          |
| 73       | 1186611     | O-RING 02025 RED SILICONE                            |
| 74       | 1349102     | FITTING $\varnothing$ 1/4"M-1/4"M                    |
| 75       | 1186676     | FILTER HOLDER GASKET $\varnothing$ 72x56x8.5 mm      |
| 75       | 1186722     | FILTER HOLDER GASKET $\varnothing$ 73x57x8 mm        |
| 75       | 1186723     | FILTER HOLDER GASKET $\varnothing$ 73x57x8.5 mm      |
| 75       | 1186724     | FILTER HOLDER GASKET $\varnothing$ 73x57x9 mm        |
| 75       | 1186741     | FILTER HOLDER GASKET $\varnothing$ 72x56x8.5 mm      |
| 77       | 1086509     | SHOWER HOLDER DIFFUSER                               |
| 78       | 1184010     | STAINLESS STEEL SCREW M6x10 UNI 9327                 |
| 79       | 1081021     | SHOWER SCREEN $\varnothing$ 55 mm                    |
| 81       | 1018506     | NOZZLE HOLDER FITTING FOR SOLENOID VALVE             |
| 82       | 1120335     | 3-WAY SOLENOID VALVE PARKER 230V 50/60Hz             |
| 85       | 1250333     | FILTER BLOCKING SPRING $\varnothing$ 1.3 mm ST.STEEL |
| 86       | 1165026     | FILTER HOLDER GAGGIA/SAECO                           |
| 87       | 1141005     | FILTER HOLDER KNOB M10                               |
| 88       | 1184006     | S/S SCREW T.C.C.E.I. M4x12 UNI 7984                  |
| 95       | 1022524     | DOUBLE SPOUT $\varnothing$ 3/8"                      |
| 96       | 1022503     | STRAIGHT SINGLE SPOUT $\varnothing$ 3/8"             |
| 97       | 1022506     | DOUBLE SPOUT $\varnothing$ 3/8"                      |
| 98       | 1022501     | SINGLE SPOUT $\varnothing$ 3/8"                      |
| 99       | 1165108     | COMPLETE FILTER HOLDER 2 CUPS GAGGIA                 |
| 102      | 1165109     | COMPLETE FILTER HOLDER 1 CUP GAGGIA                  |
| 103      | 1190011     | PAPER SEAL $\varnothing$ 72x58x0.8 mm                |
| 104      | 1190002     | RUBBER SEAL $\varnothing$ 73x59x1 mm EPDM            |
| 105      | 1160339     | BLIND FILTER   |
| 106      | 1160261     | 1 CUP FILTER 7 gr                                    |
| 107      | 1160262     | 2-CUP FILTER 14 GRAMS                                |
| 108      | 1160251     | 1 CUP FILTER 6 g                                     |
| 109      | 1160252     | 2-CUP FILTER 12 GRAMS                                |
| 110      | 1186523     | COFFEE GROUP GASKET 68x68x2 mm                       |



## E90-D90 WATER/STEAM/INLET TAPS

E90-D90



GA6101

Positions without LF code no.: upon request



# GAGGIA



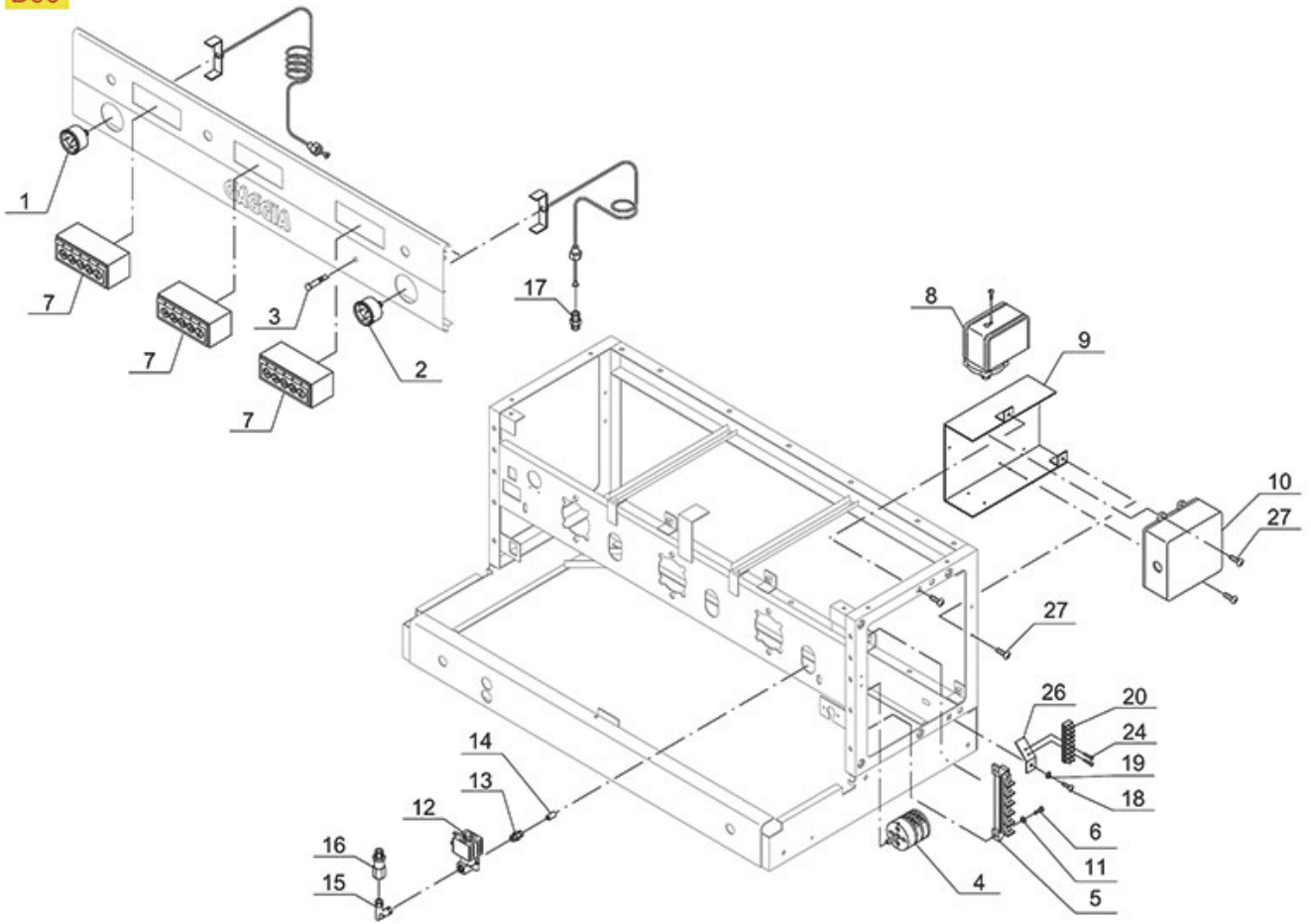
| Position | LF code no. | Description  |
|----------|-------------|--|
| 4        | 1324400     | TAP SPINDLE  |
| 6        | 1241176     | WATER/STEAM TAP KNOB                                 |
| 6        | 1241416     | STEAM TAP KNOB                                       |
| 7        | 1348036     | NUT $\varnothing$ 3/8" WRENCH 21x6mm                 |
| 8        | 1349103     | FITTING $\varnothing$ 3/8"M-3/8"M                    |
| 9        | 1348483     | WATER/STEAM TAP                                      |
| 10       | 1186514     | O-RING 02015 SILICON                                 |
| 10       | 1186900     | O-RING 02015 VITON                                   |
| 12       | 5038097     | TAP SHUTTER CONTROL PIN                              |
| 13       | 1324158     | WATER/STEAM TAP PIN                                  |
| 14       | 1186985     | FLAT EPDM GASKET $\varnothing$ 15x6x6 mm             |
| 17       | 1186591     | O-RING 0128 VITON                                    |
| 20       | 1250417     | SWIVEL SPRING $\varnothing$ 26x14 mm                 |
| 21       | 1186714     | O-RING 0119 VITON                                    |
| 22       | 1548003     | ARTICULATION FITTING STEAM PIPE                      |
| 24       | 1549017     | STEAM PIPE COMPLETE $\varnothing$ 8 mm               |
| 29       | 1515008     | BOILER VALVE $\varnothing$ 1/4"M-1/4"M               |
| 30       | 1241174     | STEAM SILK SCREEN PRINTING FOR KNOB                  |
| 31       | 1241175     | WATER SILK SCREEN PRINTING FOR KNOB                  |
| 32       | 1241420     | WATER INLET SILK SCREEN PRINTING F. HAND             |
| 34       | 1241494     | WATER INLET TAP KNOB                                 |
| 35       | 1225531     | INLET LEVER E90 D90                                  |
| 36       | 1323416     | STAINLESS STEEL BALL $\varnothing$ 10 mm             |
| 41       | 1549022     | COMPLETE CHROME-PLATED WATER PIPE $\varnothing$ 8 mm |
| 48       | 1358007     | NUT FOR INLET TAP LEVER                              |



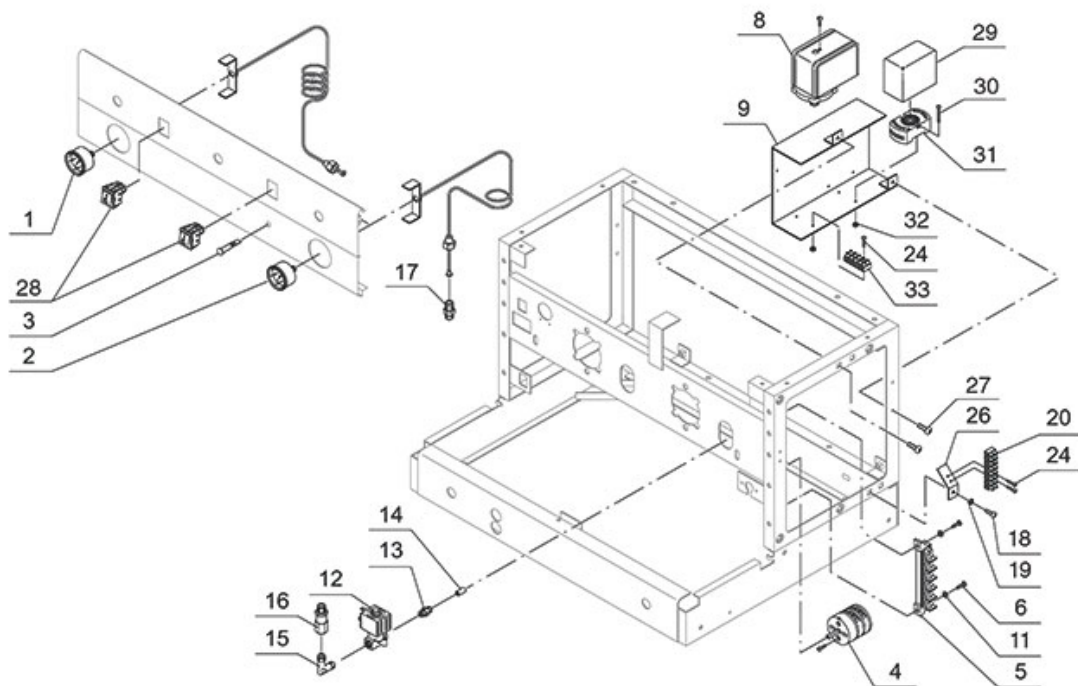


## E90-D90 ELECTRICAL SYSTEM

### D90



### E90





# GAGGIA

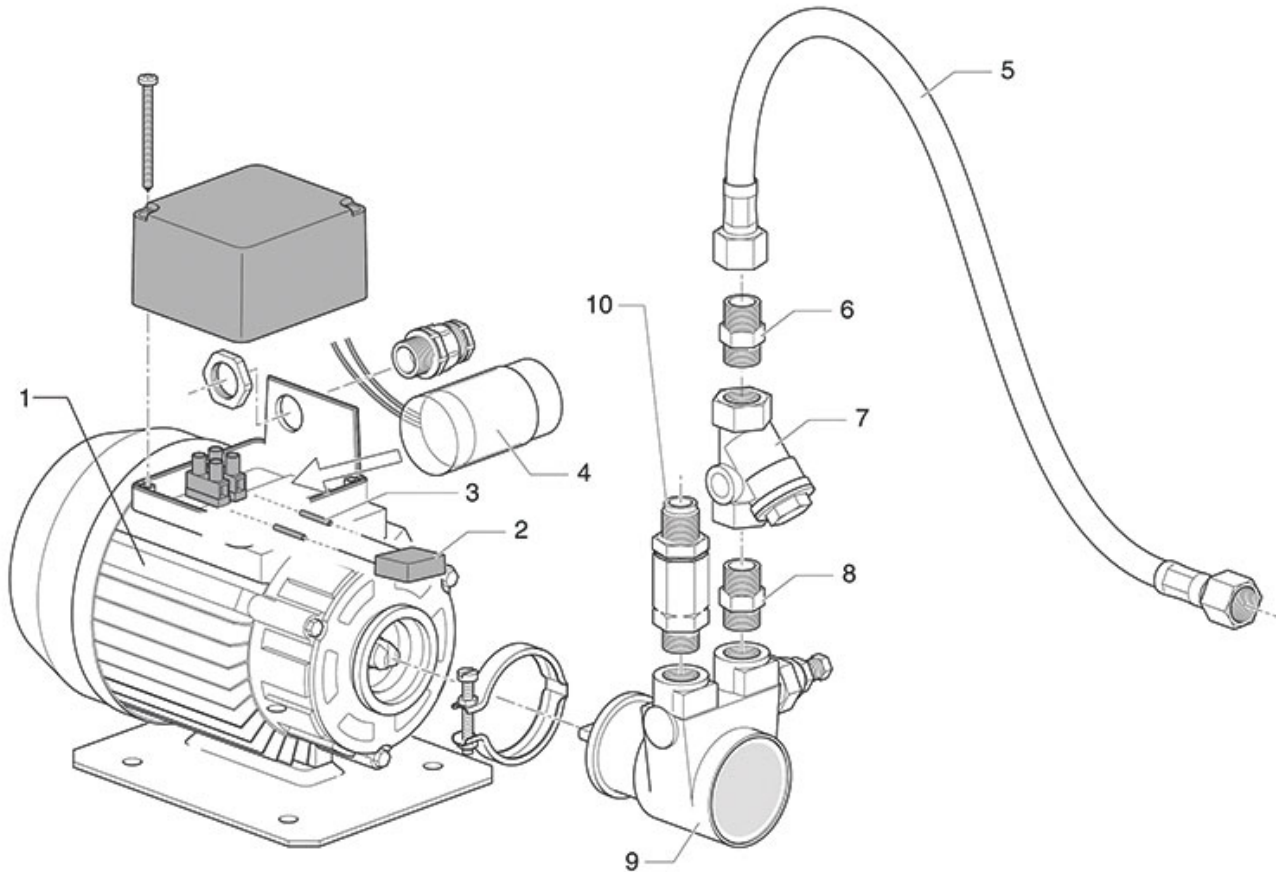








| Position | LF code no. | Description                            |
|----------|-------------|--|
| 1        | 1245058     | PUMP PRESSURE GAUGE ø 49 mm 0÷15 bar   |
| 2        | 1245059     | BOILER PRESSURE GAUGE ø 49 mm 0÷3 bar  |
| 4        | 1319066     | SELECTOR SWITCH 0-3 POSITIONS 36A 660V |
| 5        | 3247009     | 6-POLE TERMINAL BLOCK FV122/B 40A 600V |
| 8        | 1320531     | PRESSURE SWITCH P302/6 3-POLES 30A     |
| 10       | 1054516     | DOSER CONTROL BOX 3 GROUPS 230V        |
| 10       | 1054517     | DOSER CONTROL BOX 4 GROUPS 230V        |
| 10       | 1054558     | DOSER CONTROL BOX 2 GROUPS 230V        |
| 12       | 1120243     | 2-WAYS SOLEN.VALVE PARKER 230V 50/60Hz |
| 13       | 1349102     | FITTING ø 1/4"M-1/4"M                  |
| 15       | 1349710     | NICHEL PLATED L-FITTING ø 1/4"M-1/4"M  |
| 16       | 1523035     | NON-RETURN VALVE ø 1/4"M-1/4"F         |
| 28       | 1319527     | RED BIPOLAR SWITCH 16A 250V            |
| 29       | 1341304     | LEVEL REGULATOR RL30/1E/2C/11 230V     |



## E90-D90 MOTOR AND PUMP

**E90-D90**



|   |   |   |                  |   |                          |  |                         |   |                          |
|---|---|---|------------------|---|--------------------------|--|-------------------------|---|--------------------------|
|  |  |  | 5m <b>100</b>    |  | 3/4-PP 100 cm <b>200</b> |  | 3/8-CP 30 cm <b>300</b> |  | 3/4-PP 100 cm <b>400</b> |
| <b>50</b>   | <b>51</b>   |   | 12x18 <b>101</b> | 3/4-PP 150 cm <b>201</b>  | 3/8-CP 50 cm <b>301</b>  | 3/4-PP 150 cm <b>401</b>   |                         |   |                          |
|   |   |   | 30m <b>102</b>   | 3/4-PP 200 cm <b>202</b>  | 3/8-CP 80 cm <b>302</b>  | 3/4-PP 200 cm <b>402</b>   |                         |   |                          |
|   |   |   | 5m <b>103</b>    | 3/8-PP 100 cm <b>203</b>  | 3/8-CP 100 cm <b>303</b> | 3/4-PP 250 cm <b>403</b>   |                         |   |                          |
|   |   |   | 14x20 <b>104</b> | 3/8-PP 150 cm <b>204</b>  | 3/8-CP 120 cm <b>304</b> | 3/8-PP 37 cm <b>404</b>  |                         |   |                          |
|   |   |   | 30m <b>105</b>   | 3/8-PP 200 cm <b>205</b>  | 3/8-CP 150 cm <b>305</b> | 3/8-PP 200 cm <b>405</b>   |                         |   |                          |
|   |   |   | 16x23 <b>106</b> | 3/8-CC 50 cm <b>206</b>   | 1/8-PP 30 cm <b>306</b>  | 3/8-CC 50 cm <b>406</b>  |                         |   |                          |
|   |   |   | 5m <b>107</b>    | 3/8-CC 75 cm <b>207</b>   | 1/8-PP 60 cm <b>307</b>  | 3/8-CC 100 cm <b>407</b>   |                         |   |                          |
|   |   |   | 18x25 <b>108</b> | 3/8-CC 100 cm <b>208</b>  | 1/8-CC 37 cm <b>308</b>  | 3/8-CC 150 cm <b>408</b>   |                         |   |                          |
|   |   |   | 30m <b>109</b>   | 3/8-CC 150 cm <b>209</b>  | 1/8-CC 150 cm <b>309</b> | <b>409</b>   |                         |   |                          |
|   |   |   |                  |   |                          |  |                         |   |                          |



# GAGGIA

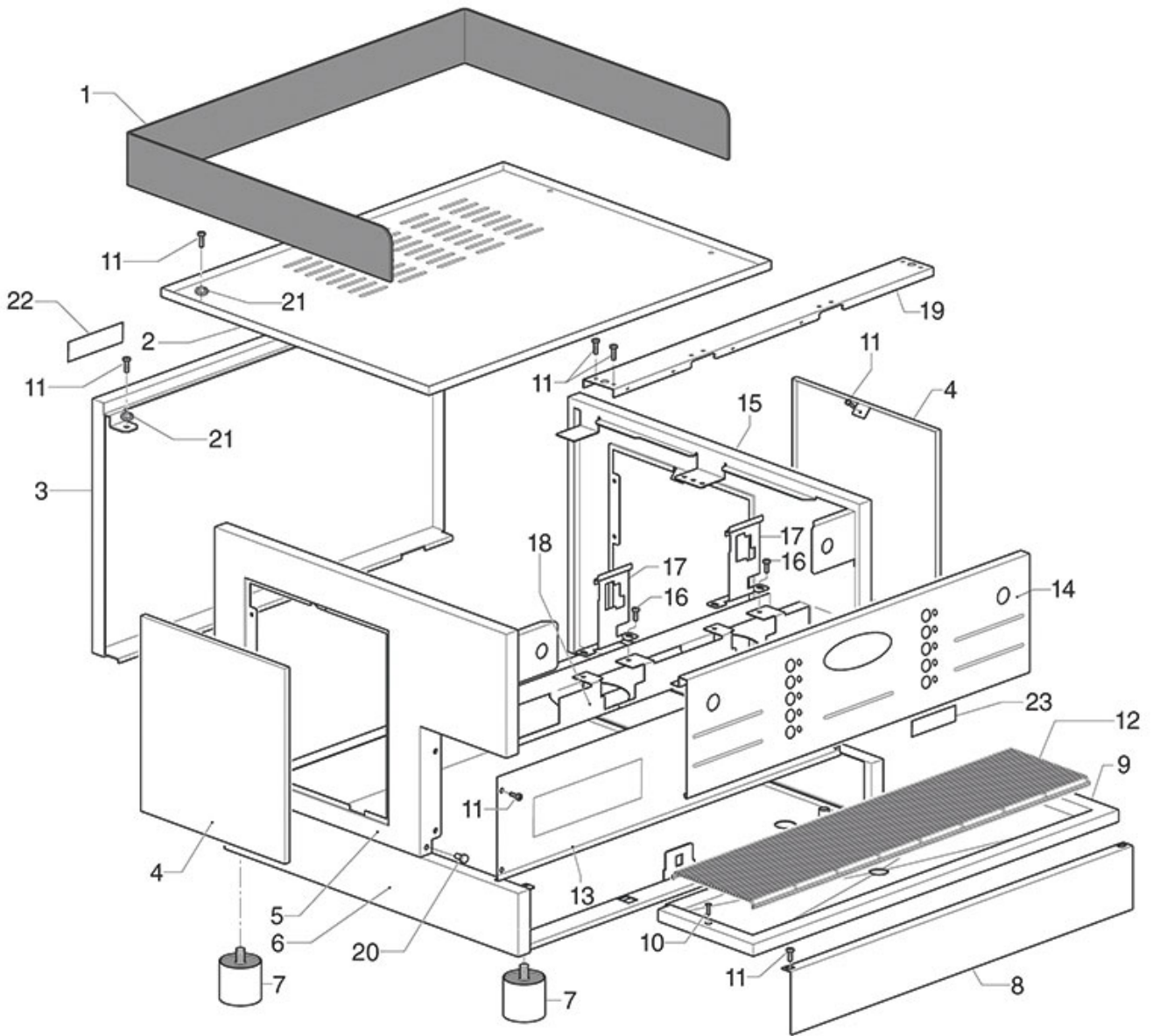


| Position | LF code no. | Description   |
|----------|-------------|---|
| 4        | 3068014     | CAPACITOR $\mu$ F 8 450V 50/60Hz                    |
| 6        | 1349103     | FITTING $\varnothing$ 3/8"M-3/8"M                   |
| 8        | 1349103     | FITTING $\varnothing$ 3/8"M-3/8"M                   |
| 9        | 1330001     | ROTARY VANE PUMP ROTOFLOW $\varnothing$ 3/8" NPT    |
| 9        | 1330012     | ROTARY VANE PUMP PROCON $\varnothing$ 3/8" NPT      |
| 10       | 1523701     | NON-RETURN VALVE $\varnothing$ 3/8"M-3/8"M          |
| 50       | 1449104     | DRAIN ELBOW 3/4"                                    |
| 51       | 1449876     | DRAIN PIPE $\varnothing$ 3/4"F 2000 mm              |
| 100      | 1449670     | DRAIN PIPE ELISPIR $\varnothing$ 12x18 mm - 5 m     |
| 101      | 1449270     | DRAIN PIPE ELISPIR $\varnothing$ 12x18 mm - 30 m    |
| 102      | 1449671     | DRAIN PIPE ELISPIR $\varnothing$ 14x20 mm - 5 m     |
| 103      | 1449271     | DRAIN PIPE ELISPIR $\varnothing$ 14x20 mm - 30 m    |
| 104      | 1449672     | DRAIN PIPE ELISPIR $\varnothing$ 16x23 mm - 5 m     |
| 105      | 1449272     | DRAIN PIPE ELISPIR $\varnothing$ 16x23 mm - 30 m    |
| 106      | 1449673     | DRAIN PIPE ELISPIR $\varnothing$ 18x25 mm - 5 m     |
| 107      | 1449273     | DRAIN PIPE ELISPIR $\varnothing$ 18x25 mm - 30 m    |
| 108      | 1449674     | DRAIN PIPE ELISPIR $\varnothing$ 20x27 mm - 5 m     |
| 109      | 1449274     | DRAIN PIPE ELISPIR $\varnothing$ 20x27 mm - 30 m    |
| 200      | 3449036     | INLET STRAIGHT PIPE $\varnothing$ 3/4" 100 cm       |
| 201      | 3449032     | INLET STRAIGHT PIPE $\varnothing$ 3/4" FF 150 cm    |
| 202      | 3449033     | INLET STRAIGHT PIPE $\varnothing$ 3/4" 200 cm       |
| 203      | 1449724     | FLEX HOSE $\varnothing$ 3/8" Fp x Fp L.100 cm       |
| 204      | 1449726     | FLEX HOSE $\varnothing$ 3/8" Fp x Fp L.150 cm       |
| 205      | 1449089     | FLEX PIPE $\varnothing$ 3/8" Fp x Fp L.200 cm       |
| 206      | 1449722     | FLEX HOSE $\varnothing$ 3/8" Fc x Fc Length 50 cm   |
| 207      | 1449705     | FLEX HOSE $\varnothing$ 3/8" Fc x Fc L.75 cm        |
| 208      | 1449723     | FLEX HOSE $\varnothing$ 3/8" Fc x Fc Length 100 cm  |
| 209      | 1449725     | FLEX HOSE $\varnothing$ 3/8" Fc x Fc Length 150 cm  |
| 300      | 1449710     | FLEX HOSE $\varnothing$ 3/8" Fp x Fc L.30 cm        |
| 301      | 1449711     | FLEX HOSE $\varnothing$ 3/8" Fp x Fc L.50 cm        |
| 302      | 1449712     | FLEX HOSE $\varnothing$ 3/8" Fp x Fc L.80 cm        |
| 303      | 1449713     | FLEX HOSE $\varnothing$ 3/8" Fp x Fc L.100 cm       |
| 304      | 1449714     | FLEX HOSE $\varnothing$ 3/8" Fp x Fc L.120 cm       |
| 305      | 1449715     | FLEX HOSE $\varnothing$ 3/8" Fp x Fc L.150 cm       |
| 306      | 1449708     | FLEX HOSE $\varnothing$ 1/8" Fp x Fp Length 30 cm   |
| 307      | 1449709     | FLEX HOSE $\varnothing$ 1/8" Fp x Fp Length 60 cm   |
| 308      | 1449706     | FLEX HOSE $\varnothing$ 1/8" Fc x Fc Length 37 cm   |
| 309      | 1449707     | FLEX HOSE $\varnothing$ 1/8" Fc x Fc Length 150 cm  |
| 400      | 3449037     | INLET ELBOW PIPE $\varnothing$ 3/4" 100 cm          |
| 401      | 3449034     | INLET ELBOW PIPE $\varnothing$ 3/4" 150 cm          |
| 402      | 3449035     | INLET ELBOW PIPE $\varnothing$ 3/4" 200 cm          |
| 403      | 3449038     | INLET ELBOW PIPE $\varnothing$ 3/4" 250 cm          |
| 404      | 1449718     | FLEX HOSE $\varnothing$ 3/8" Fp x CFp L.37 cm       |
| 405      | 1449703     | FLEX HOSE $\varnothing$ 3/8" Fp x CFp L.200 cm      |
| 406      | 1449732     | FLEX HOSE $\varnothing$ 3/8" Fc x CFc Length 50 cm  |
| 407      | 1449734     | FLEX HOSE $\varnothing$ 3/8" Fc x CFc Length 100 cm |
| 408      | 1449736     | FLEX HOSE $\varnothing$ 3/8" Fc x CFc Length 150 cm |



## LC/D BODY PARTS

LC/D





# GAGGIA



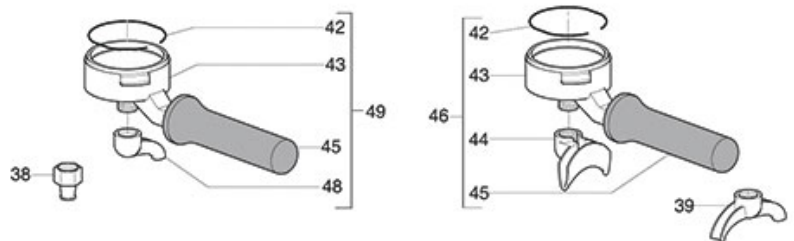
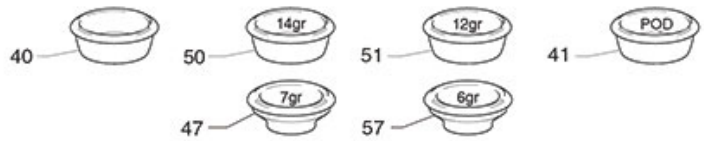
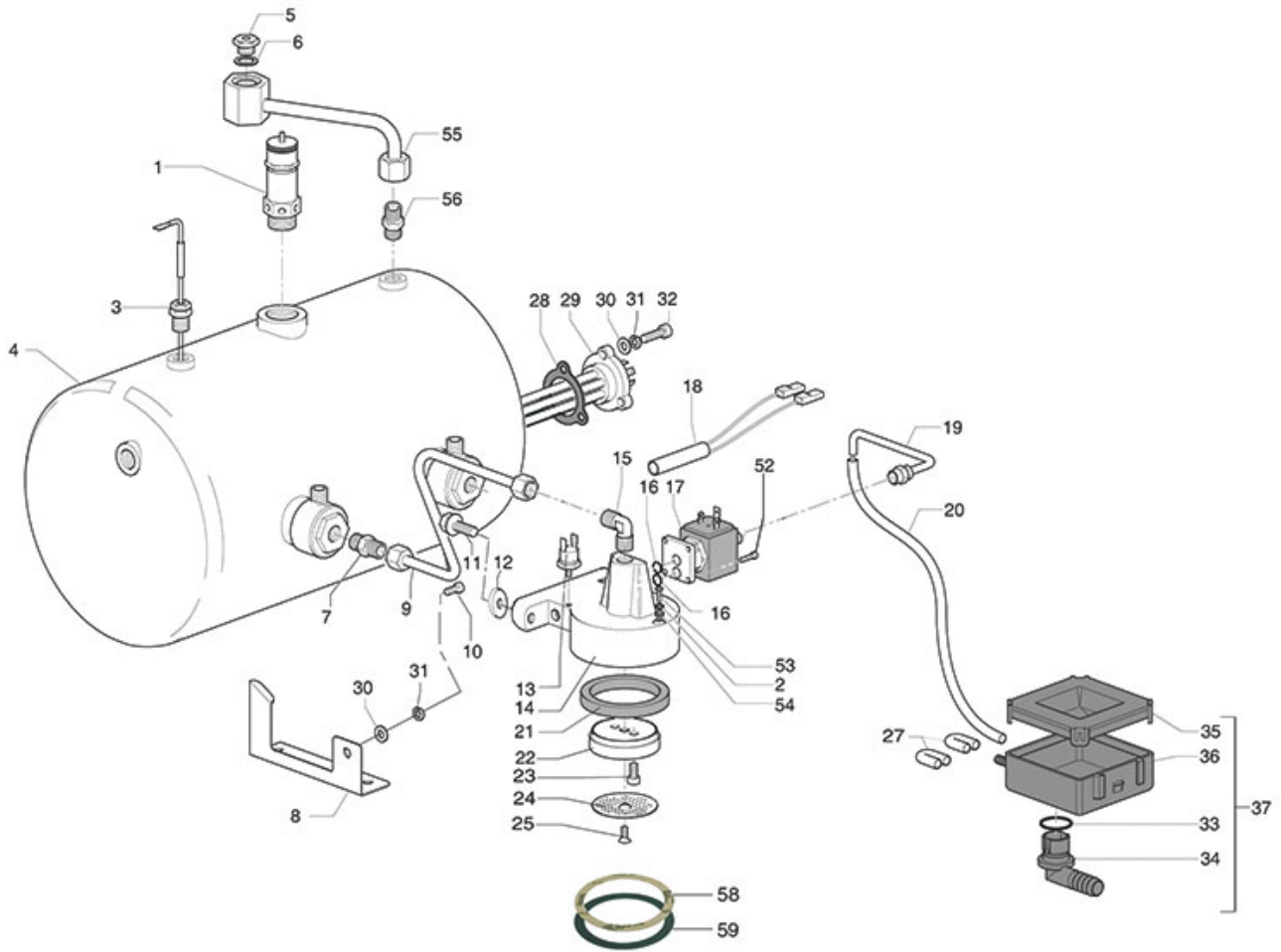
| Position | LF code no. | Description                       |
|----------|-------------|-----------------------------------|
| 11       | 1528100     | CROSS HEAD SCREW M4x12 UNI 7687   |
| 100      | 3080011     | KNOCK BOX DRAWER                  |
| 200      | 3080001     | KNOCKBOX DRAWER                   |
| 300      | 3080002     | S/STEEL DRAWER FOR COFFEE GROUNDS |





## LC/D GROUP/BOILER

LC/D





# GAGGIA

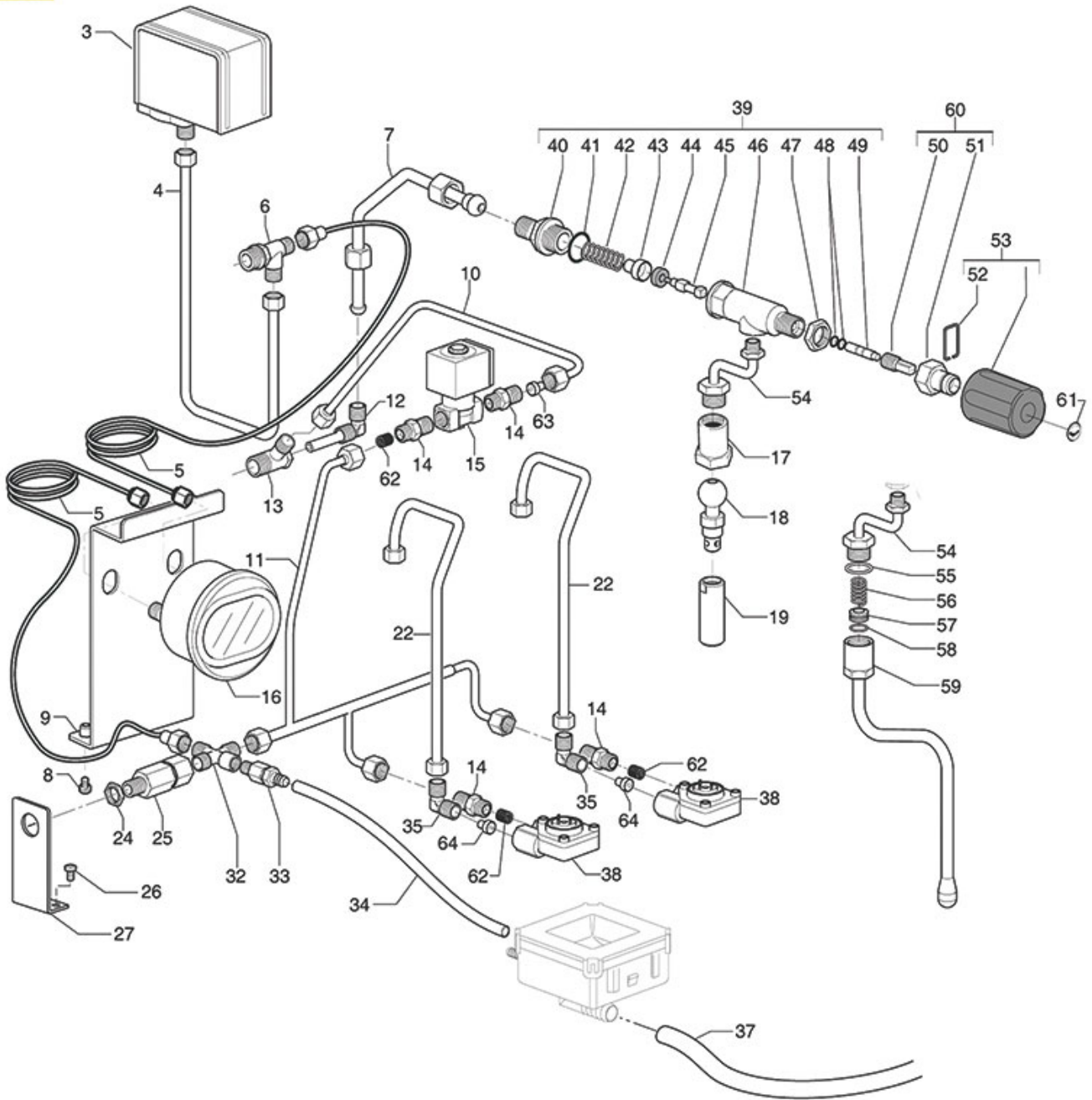


| Position | LF code no. | Description  |
|----------|-------------|--|
| 1        | 1523572     | BOILER VALVE $\varnothing$ 3/8"M - 1,8 bar CE/PED    |
| 3        | 1341016     | LEVEL PROBE $\varnothing$ 1/4"M-123 mm               |
| 5        | 1523537     | BOILER VALVE $\varnothing$ 1/4"M                     |
| 6        | 1186404     | TEFLON FLAT GASKET $\varnothing$ 18x13x2 mm          |
| 10       | 1528622     | S/S SCREW T.E. M8x16 UNI 5739 DIN 24017              |
| 11       | 1528622     | S/S SCREW T.E. M8x16 UNI 5739 DIN 24017              |
| 13       | 1443011     | CONTACT THERMOSTAT 100°C M4                          |
| 15       | 1349710     | NICHEL PLATED L-FITTING $\varnothing$ 1/4"M-1/4"M    |
| 16       | 1186611     | O-RING 02025 RED SILICONE                            |
| 17       | 1120335     | 3-WAY SOLENOID VALVE PARKER 230V 50/60Hz             |
| 18       | 1755826     | CARTRIDGE HEATING ELEMENT 80W 240V                   |
| 20       | 1449283     | SILICONE HOSE $\varnothing$ 5x10 SHORE 60 - 100 m    |
| 20       | 1449683     | SILICONE HOSE $\varnothing$ 5x10 SHORE 60 - 10 m     |
| 21       | 1186676     | FILTER HOLDER GASKET $\varnothing$ 72x56x8.5 mm      |
| 22       | 1086509     | SHOWER HOLDER DIFFUSER                               |
| 23       | 1184010     | STAINLESS STEEL SCREW M6x10 UNI 9327                 |
| 24       | 1081021     | SHOWER SCREEN $\varnothing$ 55 mm                    |
| 27       | 1449283     | SILICONE HOSE $\varnothing$ 5x10 SHORE 60 - 100 m    |
| 27       | 1449683     | SILICONE HOSE $\varnothing$ 5x10 SHORE 60 - 10 m     |
| 28       | 1186584     | TRIANGULAR GASKET FOR HEATING ELEMENT                |
| 28       | 1186635     | TRIANGULAR GASKET FOR HEATING ELEMENT                |
| 28       | 1786006     | TRIANGULAR GASKET FOR HEATING ELEMENT                |
| 29       | 1755056     | HEATING ELEMENT 4000/4760W 220/240V                  |
| 30       | 1186043     | ZINC-PLATED FLAT WASHER 16x8,5x1,6                   |
| 33       | 1786233     | O-RING 03087 EPDM                                    |
| 34       | 1527044     | HOSE-END FITTING FOR DRAIN TANK                      |
| 37       | 1527043     | DRAIN TANK   |
| 38       | 1022503     | STRAIGHT SINGLE SPOUT $\varnothing$ 3/8"             |
| 39       | 1022524     | DOUBLE SPOUT $\varnothing$ 3/8"                      |
| 40       | 1160339     | BLIND FILTER   |
| 42       | 1250333     | FILTER BLOCKING SPRING $\varnothing$ 1.3 mm ST.STEEL |
| 43       | 1165026     | FILTER HOLDER GAGGIA/SAECO                           |
| 44       | 1022506     | DOUBLE SPOUT $\varnothing$ 3/8"                      |
| 45       | 1141005     | FILTER HOLDER KNOB M10                               |
| 46       | 1165108     | COMPLETE FILTER HOLDER 2 CUPS GAGGIA                 |
| 47       | 1160261     | 1 CUP FILTER 7 gr                                    |
| 48       | 1022501     | SINGLE SPOUT $\varnothing$ 3/8"                      |
| 49       | 1165109     | COMPLETE FILTER HOLDER 1 CUP GAGGIA                  |
| 50       | 1160262     | 2-CUP FILTER 14 GRAMS                                |
| 51       | 1160252     | 2-CUP FILTER 12 GRAMS                                |
| 52       | 1184006     | S/S SCREW T.C.C.E.I. M4x12 UNI 7984                  |
| 53       | 1528100     | CROSS HEAD SCREW M4x12 UNI 7687                      |
| 57       | 1160251     | 1 CUP FILTER 6 g                                     |
| 58       | 1190001     | PAPER SEAL $\varnothing$ 73x59x0.8 mm                |
| 59       | 1190002     | RUBBER SEAL $\varnothing$ 73x59x1 mm EPDM            |
| 100      | 1069001     | PLASTIC MEASURING SPOON 20 ml                        |
| 101      | 1069002     | STAINLESS STEEL MEASURING SPOON 20 ml                |
| 102      | 1384003     | BLACK SHOWER CLEANING BRUSH                          |
| 103      | 1384002     | BRUSH FOR MAINTENANCE                                |
| 104      | 1384001     | BRUSH FOR COFFEE SHOWER                              |
| 105      | 1385002     | NYLON COFFEE TAMPER $\varnothing$ 50/57 mm           |
| 106      | 1385042     | POLISHED ALUMINUM TAMPER $\varnothing$ 58 mm         |
| 106      | 1385053     | ANODISED ALUMINUM TAMPER $\varnothing$ 58 mm         |
| 107      | 1385600     | DYNAMOMETRIC MANUAL COFFEE TAMPER $\varnothing$ 57mm |



## LC/D WATER/STEAM TAPS

**LCD**



|         |                  |            |
|---------|------------------|------------|
| 0+100°C | ---              | <b>100</b> |
| 0+100°C | ---              | <b>101</b> |
|         | ---              | <b>102</b> |
|         | 0,60L<br>6 cups  | <b>103</b> |
|         | 0,70L<br>9 cups  | <b>104</b> |
|         | 1,10L<br>12 cups | <b>105</b> |
|         | ---              | <b>106</b> |

INOX 18/10

|  |                  |            |
|--|------------------|------------|
|  | 0,20L<br>2 cups  | <b>200</b> |
|  | 0,30L<br>3 cups  | <b>201</b> |
|  | 0,45L<br>4 cups  | <b>202</b> |
|  | 0,60L<br>6 cups  | <b>203</b> |
|  | 0,70L<br>9 cups  | <b>204</b> |
|  | 1,10L<br>12 cups | <b>205</b> |
|  | ---              | <b>206</b> |

INOX 18/10

|  |                  |            |
|--|------------------|------------|
|  | ---              | <b>300</b> |
|  | ---              | <b>301</b> |
|  | ---              | <b>302</b> |
|  | 0,60L<br>6 cups  | <b>303</b> |
|  | 1,00L<br>10 cups | <b>304</b> |
|  | 1,50L<br>12 cups | <b>305</b> |
|  | 2,00L<br>15 cups | <b>306</b> |

INOX 18/10

|  |                  |            |
|--|------------------|------------|
|  | 0,25L<br>2 cups  | <b>400</b> |
|  | 0,35L<br>3 cups  | <b>401</b> |
|  | 0,50L<br>4 cups  | <b>402</b> |
|  | 0,75L<br>6 cups  | <b>403</b> |
|  | 1,00L<br>10 cups | <b>404</b> |
|  | 1,50L<br>13 cups | <b>405</b> |
|  | ---              | <b>406</b> |

INOX 18/10



# GAGGIA

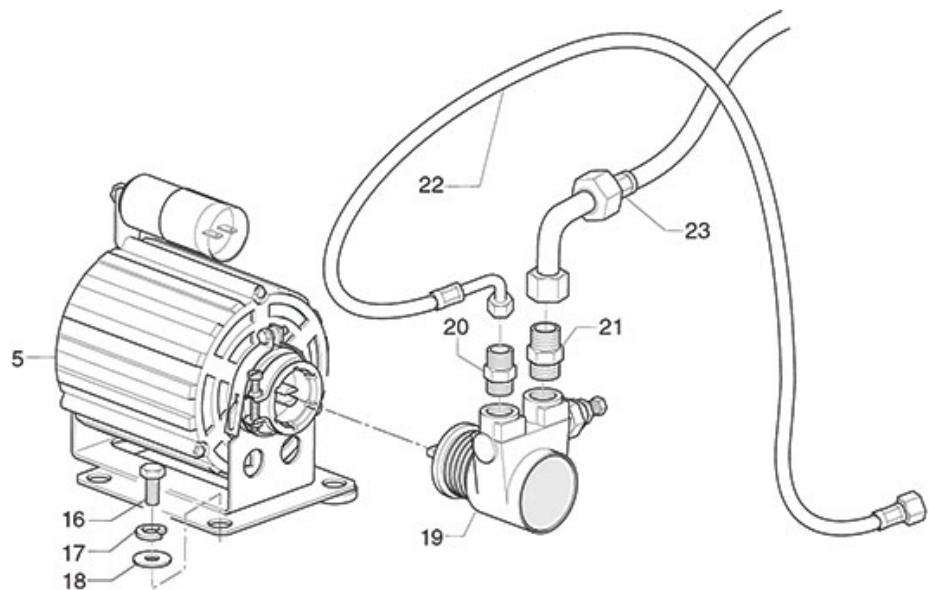
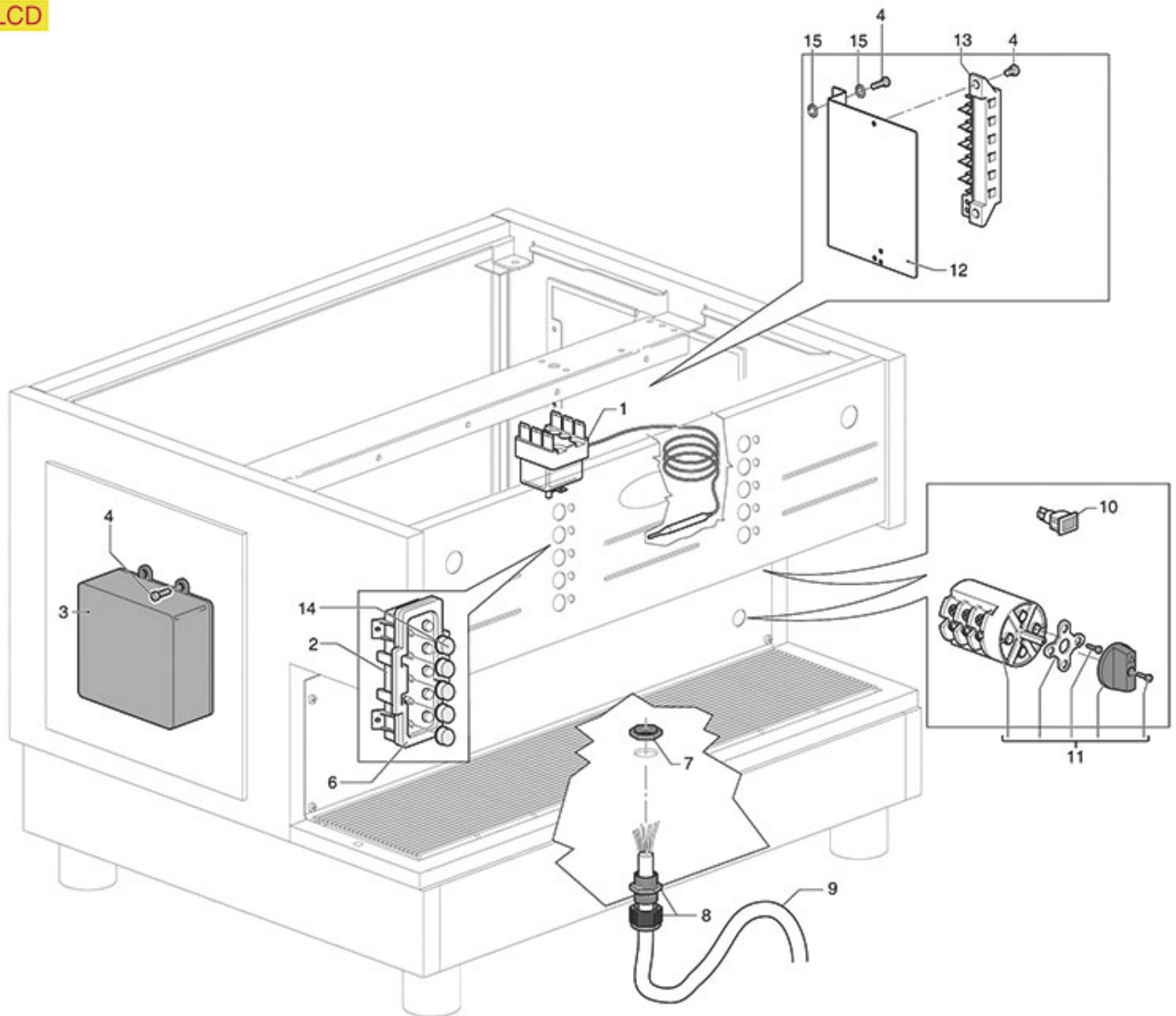


| Position | LF code no. | Description                            |
|----------|-------------|--|
| 3        | 1320541     | PRESSURE SWITCH PARKER                 |
| 8        | 1528100     | CROSS HEAD SCREW M4x12 UNI 7687        |
| 15       | 1120243     | 2-WAYS SOLEN.VALVE PARKER 230V 50/60Hz |
| 16       | 1245801     | BOILER-PUMP PRESSURE GAUGE ø 63 mm     |
| 24       | 1755006     | NUT ø 1/4"                             |
| 25       | 1523514     | NON-RETURN VALVE ø 1/4"F-1/4"M         |
| 33       | 1523432     | EXPANSION VALVE ø 1/8"M                |
| 39       | 1348483     | WATER/STEAM TAP                        |
| 41       | 1186591     | O-RING 0128 VITON                      |
| 44       | 1186985     | FLAT EPDM GASKET ø 15x6x6 mm           |
| 45       | 1324158     | WATER/STEAM TAP PIN                    |
| 47       | 1348036     | NUT ø 3/8" WRENCH 21x6mm               |
| 48       | 1186900     | O-RING 02015 VITON                     |
| 49       | 5038097     | TAP SHUTTER CONTROL PIN                |
| 50       | 1324089     | STEAM TAP SPINDLE                      |
| 51       | 1439026     | STEAM TAP EXTENSION                    |
| 52       | 1250206     | HANDLE SPRING                          |
| 53       | 1241176     | WATER/STEAM TAP KNOB                   |
| 55       | 1786232     | O-RING 02062 BROWN VITON               |
| 56       | 1250534     | SPRING ø 12x22 mm                      |
| 57       | 1786230     | TEFLON CONICAL SEAL ø 14.5x6.5x9 mm    |
| 58       | 1186709     | O-RING 0115 VITON                      |
| 59       | 1549021     | COMPLETE STEAM PIPE ø 10 mm            |
| 60       | 1324400     | TAP SPINDLE                            |
| 61       | 1241417     | STEAM SILK SCREEN PRINT. F. HANDLE     |
| 90       | 1394553     | POCKET ANALOG THERMOMETER ø 25 mm      |
| 91       | 1394554     | ANALOG THERMOMETER ø 45 mm             |
| 103      | 1024051     | SERVING COFFEE POT PRATIKA 0.60 L      |
| 104      | 1024052     | SERVING COFFEE POT PRATIKA 0.70 L      |
| 105      | 1024053     | SERVING COFFEE POT PRATIKA 1.10 L      |
| 200      | 1024001     | MILK PITCHER PRATIKA 0.20 L            |
| 201      | 1024002     | MILK PITCHER PRATIKA 0.30 L            |
| 202      | 1024003     | MILK PITCHER PRATIKA 0.45 L            |
| 203      | 1024004     | MILK PITCHER PRATIKA 0.60 L            |
| 204      | 1024005     | MILK PITCHER PRATIKA 0.70 L            |
| 205      | 1024006     | MILK PITCHER PRATIKA 1.10 L            |
| 303      | 1224000     | MILK PITCHER WITH SPOUT 0.60 L         |
| 304      | 1224001     | MILK PITCHER WITH SPOUT 1 L            |
| 305      | 1224002     | MILK PITCHER WITH SPOUT 1.5 L          |
| 306      | 1224003     | MILK PITCHER WITH SPOUT 2 L            |
| 400      | 1224014     | MILK PITCHER EUROPA WITH SPOUT 0.25 L  |
| 401      | 1224015     | MILK PITCHER EUROPA WITH SPOUT 0.35 L  |
| 402      | 1224010     | MILK PITCHER EUROPA WITH SPOUT 0.50 L  |
| 403      | 1224011     | MILK PITCHER EUROPA WITH SPOUT 0.75 L  |
| 404      | 1224012     | MILK PITCHER EUROPA WITH SPOUT 1 L     |
| 405      | 1224013     | MILK PITCHER EUROPA WITH SPOUT 1.5 L   |



## LC/D ELECTRICAL SYSTEM AND PUMP

LCD



GA7301



# GAGGIA



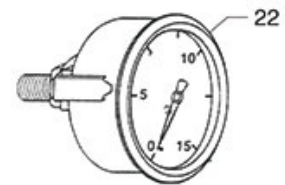
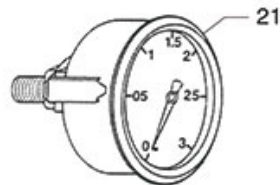
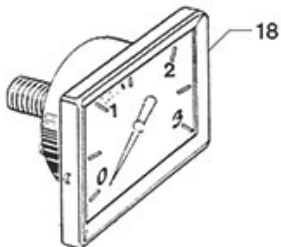
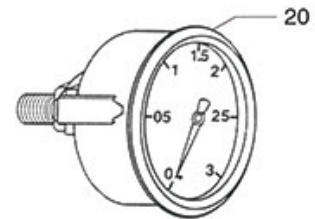
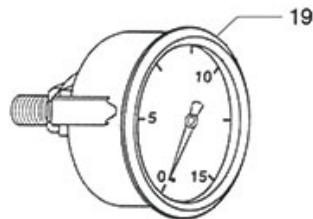
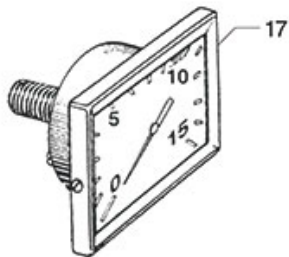
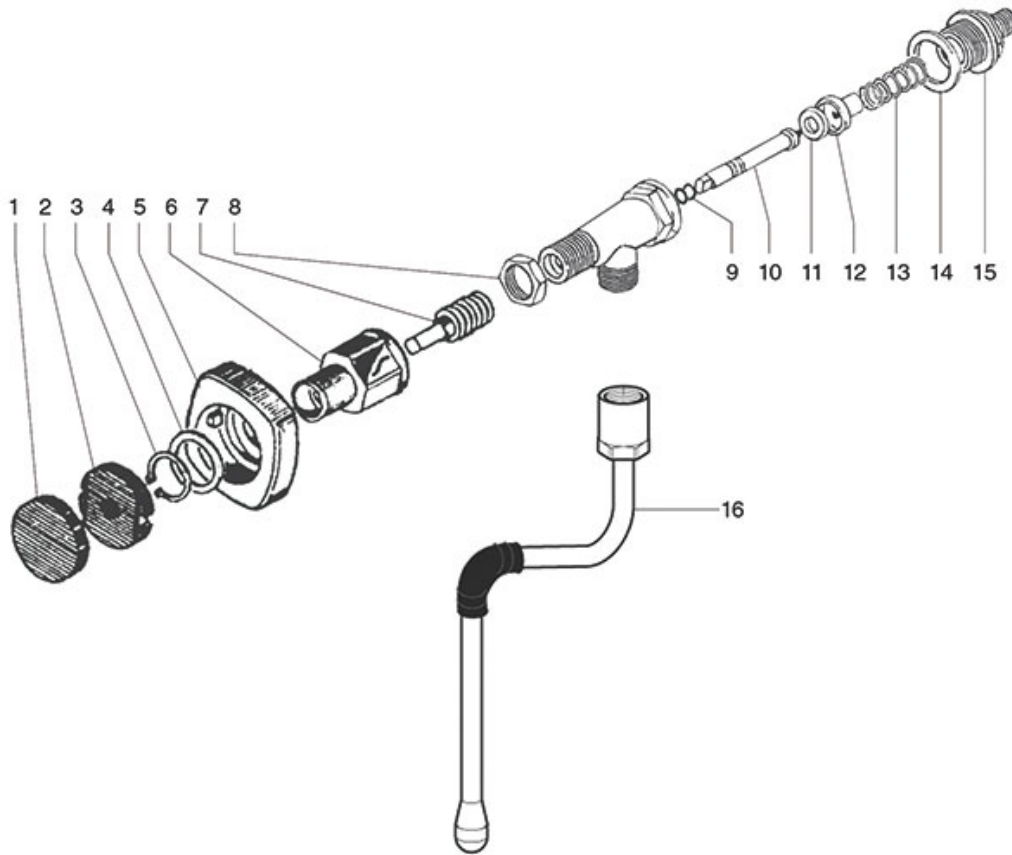
| Position | LF code no. | Description                            |
|----------|-------------|--|
| 1        | 3444442     | THREE-PHASE THERMOSTAT 170°C           |
| 4        | 1528100     | CROSS HEAD SCREW M4x12 UNI 7687        |
| 10       | 1221057     | GREEN INDICATOR LIGHT 250 V            |
| 13       | 3247009     | 6-POLE TERMINAL BLOCK FV122/B 40A 600V |
| 19       | 1330001     | ROTARY VANE PUMP ROTOFLOW ø 3/8" NPT   |
| 20       | 1349112     | FITTING ø 1/4"M-3/8"M                  |
| 21       | 1349103     | FITTING ø 3/8"M-3/8"M                  |





## TELL MISCELLANEOUS

TELL





# GAGGIA



| Position | LF code no. | Description                                       |
|----------|-------------|---|
| 1        | 1241170     | KNOB RING NUT                                     |
| 2        | 1241492     | KNOB RING NUT                                     |
| 3        | 1348320     | ELASTIC RING $\varnothing$ 16 mm                  |
| 4        | 1186620     | COPPER FLAT GASKET $\varnothing$ 22x17x1.5 mm     |
| 5        | 1241415     | KNOB RING NUT                                     |
| 6        | 1348366     | TAP NUT   |
| 8        | 1348036     | NUT $\varnothing$ 3/8" WRENCH 21x6mm              |
| 9        | 1186514     | O-RING 02015 SILICON                              |
| 11       | 1186369     | EPDM FLAT GASKET $\varnothing$ 15x5.5x4 mm        |
| 13       | 1250181     | SPRING $\varnothing$ 14.5x28 mm STEAM TAP         |
| 16       | 1449846     | STEAM PIPE COMPLETE                               |
| 17       | 1245576     | PUMP PRESSURE GAUGE $\varnothing$ 52 mm 0+15 bar  |
| 18       | 1245575     | BOILER PRESSURE GAUGE $\varnothing$ 52 mm 0+3 bar |
| 19       | 1245572     | PUMP PRESSURE GAUGE $\varnothing$ 52 mm 0+16 bar  |
| 20       | 1245571     | BOILER PRESSURE GAUGE $\varnothing$ 52 mm 0+3 bar |
| 21       | 1245573     | BOILER PRESSURE GAUGE $\varnothing$ 49 mm 0+3 bar |
| 22       | 1245574     | PUMP PRESSURE GAUGE $\varnothing$ 49 mm 0+15 bar  |
| 23       | 1186191     | TRIANGULAR GASKET FOR HEATING ELEMENT             |
| 24       | 1755120     | HEATING ELEMENT 1250W 220V                        |
| 24       | 1755251     | HEATING ELEMENT 750W 230V                         |



Suitable for:

# GAGGIA



Suitable for:

## Bodies

**5014758 CHROME PLATED BASE**  
for Coffee machine (PAVONI) EUROPICCOLA  
PROFESSIONAL



GAGGIA S32408545

**1015007 UNDERBASE TRAY**  
for Coffee machine (GAGGIA) G105 - G106  
for Coffee machine (PAVONI) EUROPICCOLA  
PROFESSIONAL - ROMANTICA



GAGGIA S371110

## Boiler safety valves

**1523545 BOILER VALVE  $\varnothing$  M19x1.5 AUTO-CERTIFIED**  
calibration pressure 1.8 bar  
steam release 6.3 Kg/h  
for Coffee machine (GAGGIA) - Series OLD



GAGGIA

**1523537 BOILER VALVE  $\varnothing$  1/4" M**  
stainless steel - old model  
or viton



GAGGIA WGADM2186

**1515008 BOILER VALVE  $\varnothing$  1/4" M-1/4" M**  
adjustment pressure 11 bar  
for GAGGIA E90-D90



GAGGIA DM0262/001

**1523572 BOILER VALVE  $\varnothing$  3/8" M - 1,8 bar CE/PED**  
calibration pressure 1,8 bar  
steam drain flow rate 77 Kg/h  
viton teflon seal  
operating range -20/+200°C  
certified valve CE/PED  
for GAGGIA GE-GD-XE-XD-E90-D90-LCD  
for Coffee machine (NUOVA SIMONELLI) MACCUP



GAGGIA WGADM1380/003

**1515017 BOILER VALVE  $\varnothing$  3/8" M-3/4" M**  
calibration pressure 1.8 bar  
steam outlet capacity 6.8 Kg/h  
for Coffee machine (GAGGIA) DECO



GAGGIA 12000581

GAGGIA 12001710



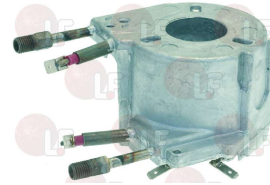
## Boilers

**5038339 BOILER 110/120V 570/680W**  
 for Coffee machine (GAGGIA) BABY - BABY89  
 CAREZZA - CLASSIC - EVOLUTIONESPRESSO  
 NEWBABYDOSATA - NEWBABY06 - NEWBABY06CLASS  
 NEWBABY06DOSE



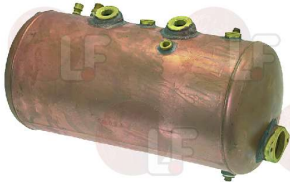
GAGGIA EF0030/A

**5025969 BOILER 1100/437W 230V**  
 for Coffee machine (GAGGIA) SYNCRONYCOMPACT  
 SYNCRONYCOMPACTDIGITAL - SYNCRONYDIGITAL  
 SYNCRONYLOGIC - TITANIUMSILVER



GAGGIA 282058858

**1024501 BOILER 2 GROUPS**  
 for Coffee machine (FAEMA) E61  
 for Coffee machine (GAGGIA)



GAGGIA

## Booster pumps

**1330012 ROTARY VANE PUMP PROCON ø 3/8" NPT**  
 clamp connection  
 flow rate 200 l/h  
 equipped with balanced bypass  
 connection ø 3/8" conical NPT  
 for Coffee machine (ASTORIA CMA) ARGENTA - BRAVA  
 COMPACT - DIVINA  
 for Coffee machine (BEZZERA) ELLISSE  
 for Coffee machine (GAGGIA) DECO - GD - GE - XD  
 XE  
 for Coffee machine (WEGA) CONCEPT



GAGGIA DM0217/003/PG

**1349100 PUMP CONNECTION ø 3/8" CONIC-3/8" STRAIGH**  
 3/8" CONICAL (NPT)-3/8" STRAIGHT  
 for Coffee machine (CONTI) XEOS2



**1168011 STAINLESS STEEL CLAMP FOR FLANGE PUMP**  
 for Coffee machine (VIBIEMME) CHIMAERA - CUBO  
 DOSAPLUS - EVOLUTION - KOMETA - LOLLO  
 MERCURY - MINIMAX - REPLICIA - REVOLUTION  
 SILVER





Suitable for:

# GAGGIA



Suitable for:

## 1330001 ROTARY VANE PUMP ROTOFLOW $\varnothing$ 3/8" NPT

clamp connection  
flowrate 100 L/h  
equipped with balanced bypass  
connection  $\varnothing$  3/8" conical NPT  
N.S.F. approved  
for Coffee machine (EXPOBAR) EXPRESSO  
MINICOMPACT - MONROC - OFFICE



GAGGIA DM0217/002/PG

## 1330002 ROTARY VANE PUMP ROTOFLOW $\varnothing$ 3/8" NPT

clamp connection  
flowrate 200 L/h  
equipped with balanced bypass  
NSF approved  
PA204  
for Coffee machine (ASTORIA CMA) ARGENTA - BRAVA  
COMPACT  
for Coffee machine (AZKOYEN) AZ04 - VIENNA



GAGGIA

## 1168011 STAINLESS STEEL CLAMP FOR FLANGE PUMP

for Coffee machine (VIBIEMME) CHIMAERA - CUBO  
DOSAPLUS - EVOLUTION - KOMETA - LOLLO  
MERCURY - MINIMAX - REPLICIA - REVOLUTION  
SILVER



## 1349100 PUMP CONNECTION $\varnothing$ 3/8" CONIC-3/8" STRAIGH

3/8" CONICAL (NPT)-3/8" STRAIGHT  
for Coffee machine (CONTI) XEOS2



## Cable glands

## 5008195 SELF-LOCKING GROMMET

for Coffee machine (PAVONI) EUROPICCOLA  
PROFESSIONAL - ROMANTICA - STRADIVARI



GAGGIA S436203



## Capacitors

**3068016 CAPACITOR  $\mu$ F 10 450V 50/60Hz**  
 operating temperature  $-25+85^{\circ}\text{C}$   
 in compliance with EEC 93/68 and 92/31 regulations  
 for Coffee machine (FAEMA) COMPACT - DUE - DUEA  
 EXPRESS - E91  
 for Coffee machine (VIBIEMME) CHIMAERA - CUBO  
 DOSAPLUS - EVOLUTION - KOMETA - LOLLO  
 MERCURY - MINIMAX - REPLIC - REVOLUTION  
 SILVER



GAGGIA 4931C00061107

**3068024 CAPACITOR  $\mu$ F 16 450V 50/60Hz**  
 operating temperature  $-25+85^{\circ}\text{C}$   
 in compliance with EEC 93/68 and 92/31 regulations



GAGGIA 4931C00061108

**3068027 CAPACITOR  $\mu$ F 20 450V 50/60Hz**  
 operating temperature  $-25+85^{\circ}\text{C}$   
 in compliance with EEC 93/68 and 92/31 regulations



GAGGIA 4931C00061128

**3068010 CAPACITOR  $\mu$ F 6.3 450V 50/60Hz**  
 operating temperature  $-25+85^{\circ}\text{C}$   
 in compliance with EEC 93/68 and EEC 92/31 regulat



GAGGIA 4931C00061126

**3068014 CAPACITOR  $\mu$ F 8 450V 50/60Hz**  
 operating temperature  $-25+85^{\circ}\text{C}$   
 in compliance with EEC 93/68 and 92/31 regulations  
 for Coffee machine (VIBIEMME) CHIMAERA - CUBO  
 DOMOBARSUPER - DOSAPLUS - EVOLUTION - KOMETA  
 LOLLO - MERCURY - MINIMAX - REPLIC - REVOLUTION - SILVER



GAGGIA DM1696/001

## Castors

**1346001 WHEEL  $\varnothing$  16 mm**  
 for casing bottom  
 for Coffee machine (GAGGIA) PLATINUM  
 for Coffee machine (SAECO) ODEA - PRIMEA - TALEA



GAGGIA 11000223





Suitable for:

# GAGGIA



Suitable for:

## Circlips

**1348320 ELASTIC RING  $\varnothing$  16 mm**  
for Coffee machine (FAEMA) COMPACT - DUEA  
EXPRESS - SPECIAL



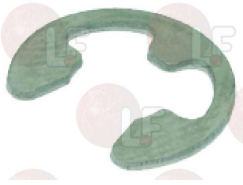
GAGGIA

**1348050 STAINLESS ST.SPRING RING J-20 UNI 7437**



GAGGIA S404108

**1250023 STAINLESS STEEL CIRCLIP RA-5 UNI 7437**



GAGGIA S404101

## Clamps

**5035467 HOSE CLAMP  $\varnothing$  7.8-9.5 mm**



GAGGIA 12000892

## Coffee filters

**1160504 2 CUPS POD FILTER**



GAGGIA

**1160339 BLIND FILTER**  
for Coffee machine (ASTORIA CMA) DIVINA  
for Coffee machine (AZKOYEN) AZ04 - VIENNA  
for Coffee machine (BEZZERA) ELLISSE  
for Coffee machine (BRASILIA) CENTURY - GRADISCA  
PORTOFINO  
for Coffee machine (CIMBALI) M27 - M30  
for Coffee machine (CONTI)  
for Coffee machine (FAEMA) COMPACT - DUE - EXPRESS  
E61 - E64 - E66 - E91 - P4 - P6  
for Coffee machine (GAGGIA) D90 - E90  
for Coffee machine (NUOVA SIMONELLI) MACCUP  
for Coffee machine (PAVONI) BAR - BART - PUB  
for Coffee machine (RANCILIO) EPOCA  
for Coffee machine (VFA EXPRES) ELITE - MAGESTIC  
SPLENDOR



GAGGIA WGANF08/006



Suitable for:

**1460105 PRECISION FILTER 1 CUP 6/9 g**  
 round holes with conical section  
 Aisi 304 stainless steel - food hygiene certified  
 matching tamper ø 58 mm  
 for COFFEE MACHINES CARIMALI-CIMBALI-GAGGIA-RENEKA



GAGGIA

Suitable for:

**1460106 PRECISION FILTER 2 CUPS 12/18 g**  
 round holes with conical section  
 Aisi 304 stainless steel - food hygiene certified  
 matching tamper ø 58 mm  
 for COFFEE MACHINES CARIMALI-CIMBALI-GAGGIA-RENEKA



GAGGIA

**1460107 PRECISION FILTER 2 CUPS 16/22 gr**  
 round holes with conical section  
 Aisi 304 stainless steel - food hygiene certified  
 matching tamper ø 58 mm  
 for MACCHINE CAFFÈ CARIMALI-CIMBALI-GAGGIA-RENEKA



GAGGIA

**1160113 1 CUP FILTER**  
 for machines with piston sleeve  
 for Coffee machine (GAGGIA) G105 - G106  
 for Coffee machine (PAVONI) EUROPICCOLA  
 PROFESSIONAL - ROMANTICA - STRADIVARI



GAGGIA S327054

**1160251 1 CUP FILTER 6 g**  
 for Coffee machine (AZKOYEN) AZ04 - VIENNA  
 for Coffee machine (BEZZERA) ELLISSE  
 for Coffee machine (BRASILIA) CENTURY - GRADISCA  
 PORTOFINO  
 for Coffee machine (CONTI) CLUB - XEOS2  
 for Coffee machine (ESSIKA) SK2 - SSK2  
 for Coffee machine (FAEMA) COMPACT - DUE - EXPRESS  
 E61 - E64 - E66 - E91 - P4 - P6  
 for Coffee machine (GAGGIA) CAREZZA - CLASSIC  
 DECO - EVOLUTION - GD - GE - LCD - XD - XE  
 for Coffee machine (RANCILIO) EPOCA  
 for Coffee machine (RENEKA) LC - VIVA - VIVAS  
 XLPALLAS  
 for Coffee machine (VFA EXPRES) ELITE - MAGESTIC  
 SPLENDOR



GAGGIA NF08/002

GAGGIA NF08/002/B

GAGGIA WGANF08/002/B

**1160261 1 CUP FILTER 7 gr**  
 for Coffee machine (GAGGIA) DECO - GD - GE - LCD  
 XD - XE



GAGGIA NF08/004

GAGGIA NF08/004/B

GAGGIA WGANF08/004/B

**1160503 1 CUP POD FILTER**



GAGGIA

**1160013 2 CUPS FILTER**  
 for machines with piston sleeve  
 for Coffee machine (GAGGIA) G105 - G106  
 for Coffee machine (PAVONI) EUROPICCOLA  
 PROFESSIONAL - ROMANTICA - STRADIVARI



GAGGIA S327053



Suitable for:

# GAGGIA



## 1160252 2-CUP FILTER 12 GRAMS

for Coffee machine (AZKOYEN) AZ04 - VIENNA  
 for Coffee machine (BEZZERA) ELLISSE  
 for Coffee machine (BRASILIA) CENTURY - GRADISCA PORTOFINO  
 for Coffee machine (FAEMA) COMPACT - DUE - EXPRESS E61 - E64 - E66 - E91 - P4 - P6  
 for Coffee machine (GAGGIA) DECO - D90 - E90 - GD GE - LCD - TS - XD - XE  
 for Coffee machine (RANCILIO) EPOCA  
 for Coffee machine (VFA EXPRES) ELITE - MAGESTIC SPLENDOR  
 for Coffee machine (VIBIEMME) CHIMAERA - CUBO DOMO BAR - DOMO BAR JUNIOR - DOMO BAR SUPER DOSA PLUS - EVOLUTION - KOMETA - LOLLO MERCURY - MINIMAX - REPLICIA - REVOLUTION



GAGGIA

Suitable for:

## 1160262 2-CUP FILTER 14 GRAMS

for Coffee machine (CONTI) CLUB - TWIN STAR2 XEOS2  
 for Coffee machine (ESSIKA) SK2 - SSK2  
 for Coffee machine (GAGGIA) CAREZZA - CLASSIC DECO - D90 - EVOLUTION - E90 - GD - GE - LCD XD - XE



GAGGIA NF08/005

GAGGIA NF08/005/B

GAGGIA WGANF08/005/B

## Coffee groups

## 1192015 ARTICULATION BUSHING

for brew group



GAGGIA S3140453

## 1192077 BLACK COFFEE ASSEMBLY

for Coffee machine (GAGGIA) PLATINUM  
 for Coffee machine (SAECO) ODEA - PRIMEA PRIMEA2007 - TALEA



GAGGIA 11005921

## 5501139 DELIVERY GROUP CAP WITH JACKET

for Coffee machine (PAVONI) EUROPICCOLA PROFESSIONAL - ROMANTICA - STRADIVARI



GAGGIA S371132

## 5032977 GROUP CONTROL LEVER

overall length 230 mm - thread M12  
 for Coffee machine (PAVONI) EUROPICCOLA PROFESSIONAL - ROMANTICA



GAGGIA S3954004

## 5029493 JACKET FOR COFFEE GROUP

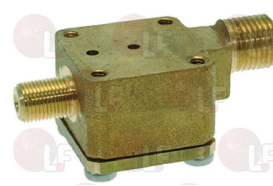
for Coffee machine (PAVONI) EUROPICCOLA PROFESSIONAL - ROMANTICA - STRADIVARI



GAGGIA S371133

## 1018506 NOZZLE HOLDER FITTING FOR SOLENOID VALVE

connections  $\varnothing$  1/8" M - 1/4" M  
 for brew group  
 for Coffee machine (GAGGIA) D90 - E90



GAGGIA 18G1511/01



Suitable for:

**1321002 PISTON FOR LEVER GROUP**  
for brew group



GAGGIA S314044

Suitable for:

**5501148 PISTON TIE ROD FOR GROUP**  
overall length 111 mm - threads M10  
for Coffee machine (PAVONI) EUROPICCOLA  
PROFESSIONAL - ROMANTICA - STRADIVARI



GAGGIA S312382

## Coffee measuring spoons

**1069001 PLASTIC MEASURING SPOON 20 ml**



GAGGIA WGADM1017

**1069002 STAINLESS STEEL MEASURING SPOON 20 ml**



GAGGIA

## Contact thermostats

**1443011 CONTACT THERMOSTAT 100°C M4**  
for coffee group  
for Coffee machine (GAGGIA) GD - GE - LCD - TS  
XD - XE



GAGGIA WGADM1561

**1443400 CONTACT THERMOSTAT 107°C M4**  
for Coffee machine (GAGGIA) CAREZZA - CLASSIC  
EVOLUTION



GAGGIA DM1168

GAGGIA DM1168/K

**1443007 CONTACT THERMOSTAT 127°C 16A 250V**  
with manual reset



GAGGIA S436040

**1444521 CONTACT THERMOSTAT 155°C M4**  
for Coffee machine (GAGGIA) CAREZZA - CLASSIC  
EVOLUTION  
for Coffee machine (GRIMAC) DADAVAPORDOUBLE  
NUVOLA - OPALE



GAGGIA DM1288

GAGGIA DM1288/K



Suitable for:

**1443040 CONTACT THERMOSTAT 175°C**  
 with manual reset - for boiler  
 for Coffee machine (GAGGIA) SYNCRONY - TITANIUM  
 for Coffee machine (PAVONI) EDL - EUROBARDELUXE  
 for Coffee machine (SAECO) INCANTO - ROYALOFFICE  
 TREVI - VIENNA



GAGGIA 189428200

# GAGGIA



Suitable for:

**1443005 CONTACT THERMOSTAT 98°C M4**  
 for Coffee machine (RDL) MAXI - MINI - SWEET  
 for Coffee machine (SPINEL) DUETTO - ESSE - LOLA  
 LOLAELITE - LOLITA - LOLITAEELITE - MINIMINI  
 PINOCCHIO - RONDO - RONDOLUX - TOUR



GAGGIA

## Contactors

**3454048 CONTACTOR ABB A9-30-10 9A 230/400V 4Kw**  
 coil 230V 50/60Hz  
 3 normally open contacts  
 1 normally open auxiliary contact  
 for Coffee machine (GAGGIA) DECO

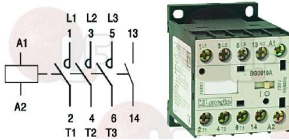


GAGGIA 5027002000

**3454049 THERMAL RELAY ABB TA25DU**  
 1.3÷1.8A  
 1 normally open contact  
 1 normally closed contact



**3446556 CONTACTOR LOVATO BG0910A**  
 coil 9A 230V 50/60Hz 4Kw  
 3 normally open contacts  
 1 normally open auxiliary contact  
 for Coffee machine (CIMBALI) M30CLASSIC



GAGGIA 4931C00061002

## Containers for coffee

**1080173 COFFEE HOPPER**  
 for Coffee machine (GAGGIA) TITANIUM



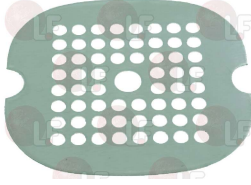
GAGGIA 222712979

GAGGIA 8314007000



## Cup support grids

**1185001 CHROME-PLATED STEEL CUP SUPPORT GRID**  
for Coffee machine (GAGGIA) G105 - G106  
for Coffee machine (PAVONI) EUROPICCOLA  
PROFESSIONAL - ROMANTICA



GAGGIA S324021

**1015001 PLASTIC TRAY**  
for Coffee machine (GAGGIA) G105 - G106  
for Coffee machine (PAVONI) EUROPICCOLA  
PROFESSIONAL - ROMANTICA



GAGGIA S371104

**1185002 PLASTIC CUP SUPPORT GRID**  
for Coffee machine (GAGGIA) G105 - G106  
for Coffee machine (PAVONI) EUROPICCOLA  
PROFESSIONAL - ROMANTICA



GAGGIA S371103

**1015001 PLASTIC TRAY**  
for Coffee machine (GAGGIA) G105 - G106  
for Coffee machine (PAVONI) EUROPICCOLA  
PROFESSIONAL - ROMANTICA



GAGGIA S371104

## Detergents

**3092251 SCALE REMOVER AXOR DE-CAF 10 BAGS**  
granular bags 30 g  
removes scale residues from the hydraulic  
system and coffee machines boilers house hold  
type, it does not corrode nor leaves residues  
f/COFFEE MACHINES SAECO-GAGGIA-LAVAZZA-PAVONI-SGL  
MITACA-GRIMAC-RDL-SPINEL-DELONGHI-ETC.



GAGGIA

**3092250 SCALE REMOVER AXOR RIO 250 ml**  
removes scale residues from the hydraulic  
system and coffee machines boilers household  
type. it does not corrode nor leaves residues  
for MACHINES TIPO SAECO-GAGGIA-LAVAZZA-PAVONI-SGL  
MITACA-GRIMAC-RDL-SPINEL-DELONGHI-ETC.



GAGGIA

## Drain tanks

**1527043 DRAIN TANK**  
for GAGGIA XE-XD-D90-E90-FD2000-FE2000-LCD



GAGGIA AS0180/A

**1527045 DRAIN TANK**  
for GAGGIA DECO



GAGGIA AS0061/02

GAGGIA AS0180/01/A





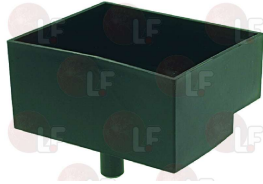
Suitable for:

# GAGGIA



## 1527537 DRAIN TRAY

dimensions 100x80x48 mm  
for Coffee machine (GAGGIA) GD - GE  
for Coffee machine (PAVONI) BAR  
for Coffee machine (SAECO) AROMA



GAGGIA WGA4001097000

Suitable for:

## 1527044 HOSE-END FITTING FOR DRAIN TANK

for GAGGIA XE-XD-D90-E90-TE-TD-FD2000-FE2000-DECO



GAGGIA AS0062

## Drip trays for coffee and bar

### 1015001 PLASTIC TRAY

for Coffee machine (GAGGIA) G105 - G106  
for Coffee machine (PAVONI) EUROPICCOLA  
PROFESSIONAL - ROMANTICA



GAGGIA S371104

### 1527029 SILVER DRIP TRAY

max. dimensions 278x227 mm  
for Coffee machine (GAGGIA) TITANIUM



GAGGIA 229631637

## Electrical cables

### 5008206 SCHUKO POWER CABLE 230V 1400 mm

for Coffee machine (PAVONI) EUROPICCOLA  
PROFESSIONAL - ROMANTICA



GAGGIA S332316

## Electronic boxes

### 1054046 DOSER CONTROL BOX 1-3 GROUPS 230V

for Coffee machine (GAGGIA) DECO



GAGGIA 5027001000

### 1054047 DOSER CONTROL BOX 1-3 GROUPS 230V

for Coffee machine (GAGGIA) DECO



GAGGIA 12000669



Suitable for:

**1054048 DOSER CONTROL BOX 2 GROUPS 230V**  
for Coffee machine (GAGGIA) GD - XD  
for Coffee machine (SAECO) AROMASE

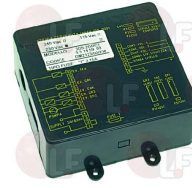


GAGGIA DM2181/02/230

GAGGIA DM2182/02/230

Suitable for:

**1054557 DOSER CONTROL BOX 2 GROUPS 230V**  
for Coffee machine (GAGGIA) XD



GAGGIA DM2123/02/230

**1054558 DOSER CONTROL BOX 2 GROUPS 230V**  
for Coffee machine (GAGGIA) D90



GAGGIA DM1876/002/230

GAGGIA DM1876/02/230

GAGGIA DM1876/2/230

**1054516 DOSER CONTROL BOX 3 GROUPS 230V**  
for Coffee machine (GAGGIA) D90



GAGGIA DM1876/003/230

GAGGIA DM1876/03/230

GAGGIA DM1876/3/230

**1054517 DOSER CONTROL BOX 4 GROUPS 230V**  
for Coffee machine (GAGGIA)  
till 1/01/96  
D90



GAGGIA DM1373/4/220

GAGGIA DM1373/4/220230

## Feet

**1313003 FOOT  $\varnothing$  30 mm**



GAGGIA S371101

**1313111 FOOT  $\varnothing$  40x40 mm M10**



GAGGIA

## Filter holder gaskets

**1486003 FILER HOLDER GASKET  $\varnothing$  79x56x6.5 mm**  
for Coffee machine (GAGGIA) NEWESPRESSO06  
for Coffee machine (SAECO) SIRENA



GAGGIA 11004543

**1186676 FILTER HOLDER GASKET  $\varnothing$  72x56x8.5 mm**  
with external cuts  
for Coffee machine (GAGGIA) DECO - D90 - E90  
FD2000 - FE2000 - GD - GE - LCD - TD - TE - TS  
XD - XE  
for Coffee machine (SAECO) AROMA



GAGGIA WGANG01/001/B

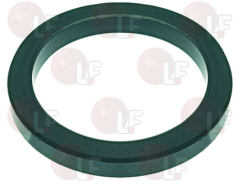


Suitable for:

# GAGGIA



**1186741 FILTER HOLDER GASKET  $\varnothing$  72x56x8.5 mm**  
for Coffee machine (GAGGIA) D90 - E90



GAGGIA

Suitable for:

**1786216 FILTER HOLDER GASKET  $\varnothing$  72x57x8.5 mm**  
for Coffee machine (GAGGIA) ACHILLE - BABY  
BABY86 - BABY89 - CAREZZA - CLASSIC - COFFEE  
ESPRESSO - ESPRESSODELUXE - EVOLUTIONESPRESSO  
NEWBABY - NEWBABYDOSATA - NEWBABY06  
NEWBABY06TWIN - PAROS - TEBE



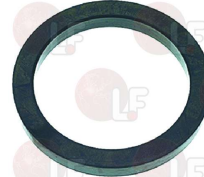
GAGGIA NG01/001

**1486006 FILTER HOLDER GASKET  $\varnothing$  73.5x57x5 mm**  
for Coffee machine (GAGGIA) CUBIKA - GRANGAGGIA  
VIVAGAGGIA



GAGGIA GG0026/01

**1186722 FILTER HOLDER GASKET  $\varnothing$  73x57x8 mm**  
for Coffee machine (CONTI) TWIN STAR2  
for Coffee machine (ESSIKA) SSK2  
for Coffee machine (FAEMA) COMPACT - DUE - EXPRESS  
E61 - E64 - E66 - E91 - P4 - P6  
for Coffee machine (VFA EXPRES) ELITE - MAGESTIC  
SPLENDOR  
for Coffee machine (VIBIEMME) CHIMAERA - CUBO  
DOMOBAR - DOMOBARJUNIOR - DOMOBARSUPER  
DOSAPLUS - EVOLUTION - KOMETA - LOLLO  
MERCURY - MINIMAX - REPLICIA - REVOLUTION  
SILVER  
for Coffee machine (WEGA) MINI



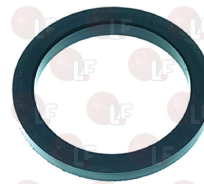
GAGGIA

**1186723 FILTER HOLDER GASKET  $\varnothing$  73x57x8.5 mm**  
for Coffee machine (CONTI) CLUB - XEOS2  
for Coffee machine (ESSIKA) SK2 - SSK2  
for Coffee machine (FAEMA) COMPACT - DUE - EXPRESS  
E61 - E64 - E66 - E91 - P4 - P6  
for Coffee machine (VFA EXPRES) ELITE - MAGESTIC  
SPLENDOR  
for Coffee machine (VIBIEMME) CHIMAERA - CUBO  
DOMOBAR - DOMOBARJUNIOR - DOMOBARSUPER  
DOSAPLUS - EVOLUTION - KOMETA - LOLLO  
MERCURY - MINIMAX - REPLICIA - REVOLUTION  
SILVER  
for Coffee machine (WEGA) MINI



GAGGIA

**1186724 FILTER HOLDER GASKET  $\varnothing$  73x57x9 mm**  
for Coffee machine (FAEMA) COMPACT - DUE - EXPRESS  
E61 - E64 - E66 - E91 - P4 - P6  
for Coffee machine (VFA EXPRES) ELITE - MAGESTIC  
SPLENDOR  
for Coffee machine (VIBIEMME) CHIMAERA - CUBO  
DOMOBAR - DOMOBARJUNIOR - DOMOBARSUPER  
DOSAPLUS - EVOLUTION - KOMETA - LOLLO  
MERCURY - MINIMAX - REPLICIA - REVOLUTION  
SILVER  
for Coffee machine (WEGA) MINI



GAGGIA



## Filter holders for coffee machines

**1165185 BOTTOMLESS FILTER HOLDER GAGGIA**  
wings 6.6 mm



GAGGIA

**1165109 COMPLETE FILTER HOLDER 1 CUP GAGGIA**  
spout connection  $\varnothing$  3/8" - knob connection M10  
wings 7 mm - without spring or filter  
for Coffee machine (GAGGIA) DECO - D90 - E90 - GD  
GE - LCD - XD - XE  
for Coffee machine (SAECO) AROMA



GAGGIA WGA8001059000

GAGGIA 8027085000

**1165108 COMPLETE FILTER HOLDER 2 CUPS GAGGIA**  
spout connection  $\varnothing$  3/8" - knob connection M10  
wings 7 mm - without spring or filter  
for Coffee machine (GAGGIA) DECO - D90 - E90 - GD  
GE - LCD - XD - XE



GAGGIA WGA8001060000

GAGGIA 8027086000

**1165158 FILTER HOLDER BARLEY POD GAGGIA**  
the flowrate is adjusted by  
knob rotation



GAGGIA

**1165022 FILTER HOLDER COFFEE MACHINES**  
spout connection  $\varnothing$  3/8" - handle connection M12  
wings 7 mm  
for Coffee machine (BRASILIA)  
for Coffee machine (BRUGNETTI-AURORA)  
for Coffee machine (FAEMA)  
for Coffee machine (FIORENZATO C.S.)  
for Coffee machine (FUTURMAT-ARIETE)  
for Coffee machine (GAGGIA SPAGNA)  
for Coffee machine (GRIMAC)  
for Coffee machine (MAIRALI)  
for Coffee machine (SCALA)  
for Coffee machine (VFA EXPRES)  
for Coffee machine (VISACREM)  
for Coffee machine (WEGA)



GAGGIA

**1165027 FILTER HOLDER COMPLETE GAGGIA**  
spout connection  $\varnothing$  3/8" - screw handle connection  
wings 7 mm - with spring - without filter  
for Coffee machine (GAGGIA) BABY



GAGGIA DY0004/A



Suitable for:

**1165026 FILTER HOLDER GAGGIA/SAECO**  
spout connection  $\varnothing$  3/8" - handle connection M10  
wings 7 mm  
for Coffee machine (GAGGIA) D90 - E90 - GD - GE  
LCD - TS - XD - XE



GAGGIA WGA26G0104

# GAGGIA



Suitable for:

**1165018 2 CUPS FILTER HOLDER ASSEMBLY PAVONI/GA**  
spout connection  $\varnothing$  3/8" - handle connection M12  
countersunk fins 4 mm - with spring - without flit  
for brew group  
for Coffee machine (GAGGIA) G105 - G106  
for Coffee machine (PAVONI) EUROPICCOLA - MIGNON  
PROFESSIONAL



GAGGIA S395307

## Filters

**1160026 WATER FILTER**  
for Coffee machine (SAECO) CAFENOVA - ODEA  
OFFICEONE - ROYAL - TALEA - VIENNA



GAGGIA 144650800

GAGGIA 224640200

**1160507 WATER FILTER  $\varnothing$  8.5x15 mm**



GAGGIA

## Fittings

**1349098 "T"-COUPLING BOILER STEAM OUTLET**  
for Coffee machine (GAGGIA) NEWBABY06



GAGGIA 4332024000

**1349014 BOILER FITTING  $\varnothing$  1/2" M-1/2" M**  
for Coffee machine (GRIMAC) ECLISSE - TEN - TWENTY  
for Coffee machine (VIBIEMME) DOMOBAR SUPER  
DOSAPLUS - EVOLUTION - LOLLO - MERCURY  
MINIMAX - REVOLUTION - SILVER



GAGGIA WGA8001010000

**3349351 ELBOW FITTING 1/8" M  $\varnothing$  6/4**  
for Coffee machine (EXPOBAR) OFFICE



GAGGIA

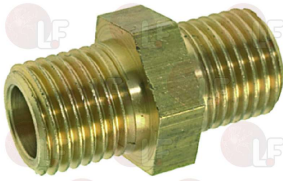
**1349654 ELBOW HOSE-END FITTING  $\varnothing$  1/8" M6**



GAGGIA

Suitable for:

**1349102 FITTING  $\varnothing$  1/4"M-1/4"M**



GAGGIA NRC11/038

GAGGIA WGA26G0070/01

Suitable for:

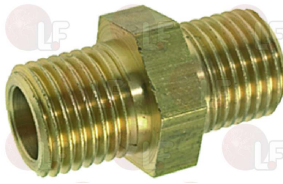
**1349112 FITTING  $\varnothing$  1/4"M-3/8"M**



GAGGIA WGANRC11/037

**1349103 FITTING  $\varnothing$  3/8"M-3/8"M**

for Coffee machine (CONTI) CLUB - SK2 - SSK2  
TWIN STAR2  
for Coffee machine (VIBIEMME) CHIMAERA - CUBO  
DOMOBARSUPER - DOSAPLUS - EVOLUTION - KOMETA  
LOLLO - MERCURY - MINIMAX - REPLICA  
REVOLUTION - SILVER



GAGGIA NRC11/30

GAGGIA WGANRC11/001

**1349653 HOSE-END FITTING  $\varnothing$  1/8"M  $\varnothing$  6 NICKEL**



GAGGIA

**1349706 L-FITTING  $\varnothing$  3/8"M-3/8"M NICKEL-PLATED**



GAGGIA WGANRC10/024

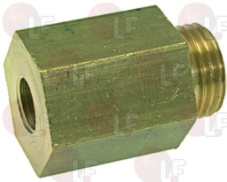
**1349710 NICKEL PLATED L-FITTING  $\varnothing$  1/4"M-1/4"M**



GAGGIA NRC30/007

GAGGIA WGANRC30/007

**1349404 OUTLET FITTING**



GAGGIA

## Flowmeters

**1455060 VOLUMETRIC FLOWMETER GICAR**

connection  $\varnothing$  1/8"FF  
for Coffee machine (GAGGIA) DECO - GD - GE - XD  
XE



GAGGIA 11013052





Suitable for:

# GAGGIA



Suitable for:

## Gaskets and seals

**1786227 ASBESTOS FREE FLAT GASKET  $\varnothing$  54x40x1.5 mm**  
for exchanger  
for GAGGIA E90-D90



GAGGIA CA0501

**1186744 BLIND GASKET  $\varnothing$  12x5.8 mm EPDM**  
for Coffee machine (FAEMA) COMPACT - EXPRESS  
SPECIAL



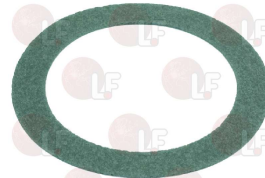
GAGGIA

**1186442 BLIND GASKET  $\varnothing$  12x5.8 mm SILICONE**  
for Coffee machine (CARIMALI) ETABETA



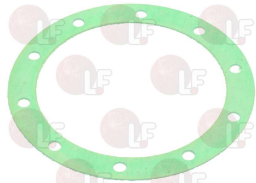
GAGGIA

**5501123 BOILER GASKET  $\varnothing$  108x80x2 mm**  
made of universal carbo  
for Coffee machine (PAVONI) PROFESSIONAL  
ROMANTICA



GAGGIA S362017

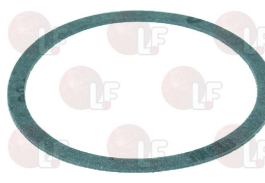
**1186296 BOILER GASKET  $\varnothing$  220x168x2.5 mm**  
free of asbestos - 10 holes  
for Coffee machine (GAGGIA) DECO - D90 - E90



GAGGIA CA0321/01

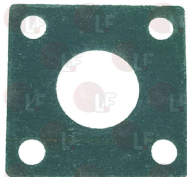
GAGGIA 4027014000

**1186483 BOILER GASKET  $\varnothing$  93x80x2 mm**  
universal carbo



GAGGIA S362019

**1186523 COFFEE GROUP GASKET 68x68x2 mm**  
universal carbo  
for Coffee machine (GAGGIA) D90 - E90



GAGGIA

**1186980 COFFEE GROUP GASKET 73x61x1 mm**  
free of asbestos  
for GAGGIA DECO-GE-GD  
for SAECO AROMA  
for PAVONI BAR-BART-CAFÈ-HOTEL-PUB



GAGGIA WGA4001084000

**1186502 COFFEE GROUP GASKET 79x71x2 mm**  
universal carbo  
for Coffee machine (FAEMA) E61



GAGGIA

**1186172 COFFEE GROUP GASKET 80x72 mm**  
free of asbestos



GAGGIA

Suitable for:

**1186128 CONICAL EPDM SEAL  $\varnothing$  12x4x4 mm**  
for water inlet tap  
for Coffee machine (FAEMA) COMPACT - DUEA  
EXPRESS - SPECIAL - STAR - SUPERSTAR  
SUPERTRONIC - TRONIC



GAGGIA

Suitable for:

**1186176 CONICAL TEFLON SEAL  $\varnothing$  15x8x7 mm**  
for water/steam pipe



GAGGIA

**1186239 COPPER FLAT GASKET  $\varnothing$  13x6x1 mm**



GAGGIA

**1186619 COPPER FLAT GASKET  $\varnothing$  18x14x1.5 mm**  
for Coffee machine (ASTORIA CMA) ARGENTA  
for Coffee machine (AZKOYEN) AZ04 - BRAVO - VIENNA  
for Coffee machine (BEZZERA) ELLISSE  
for Coffee machine (BRASILIA) GRADISCA  
for Coffee machine (CIMBALI) M15 - M20 - M27 - M30  
for Coffee machine (EXPOBAR) EXPRESSO  
MINICOMPACT - MONROC - OFFICE  
for Coffee machine (FAEMA) DUEA - ELITE - EXPRESS  
E61 - E64 - E66 - E91 - E92 - P4 - P6  
for Coffee machine (FIORENZATO C.S.) MURANO  
for Coffee machine (NUOVA SIMONELLI) MACCUP  
OPTIMA  
for Coffee machine (PAVONI) BART  
for Coffee machine (SAN MARCO) 85  
for Coffee machine (SPAZIALE) SELETRON PLUS - S3



GAGGIA

**1186232 COPPER FLAT GASKET  $\varnothing$  19x13.5x1.5 mm**



GAGGIA

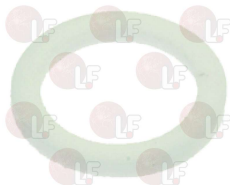
**1186620 COPPER FLAT GASKET  $\varnothing$  22x17x1.5 mm**



GAGGIA UN1734-160

GAGGIA 49.90.91.32

**1186468 EFLON FLAT GASKET  $\varnothing$  17x12x1.5 mm**



GAGGIA S362021

**1186369 EPDM FLAT GASKET  $\varnothing$  15x5.5x4 mm**  
for Coffee machine (GAGGIA) D90 - E90  
for Coffee machine (SAN MARCO) 85SPRINT - 95SPRINT



GAGGIA 49909122



Suitable for:

**1786228 EXEMPT FLAT GASKET  $\varnothing$  61x40x2 mm**  
distance between mounting holes 43 mm  
for heating element  
for GAGGIA E90-D90



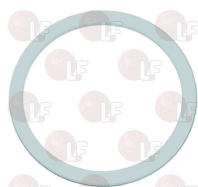
GAGGIA CA0481

**1186985 FLAT EPDM GASKET  $\varnothing$  15x6x6 mm**



GAGGIA WGARB0709

**1186297 FLAT GASKET TEFLON  $\varnothing$  73x61x3 mm**  
for Coffee machine (GAGGIA) D90 - E90



GAGGIA

**1186474 FLAT NBR GASKET  $\varnothing$  12x7x5 mm**  
for water/steam tap



GAGGIA S361023

**1786230 TEFLON CONICAL SEAL  $\varnothing$  14.5x6.5x9 mm**  
for water/steam tap



GAGGIA RB0902

GAGGIA WGARB0902

# GAGGIA



Suitable for:

**1186129 FLAT EPDM GASKET  $\varnothing$  15/6x10 mm**  
external  $\varnothing$  15/6 mm - total height 10 mm  
for Coffee machine (FAEMA) COMPACT - DUEA  
EXPRESS - NOSTOP - STAR - TRONIC  
for Coffee machine (VIBIEMME) CHIMAERA - EVOLUTION  
LLOLO - REPLICA - REVOLUTION



GAGGIA

**1786231 FLAT GASKET EPDM  $\varnothing$  24x15x3 mm**  
for water inlet tap  
for GAGGIA DECO-GE-GD  
for SAECO AROMA



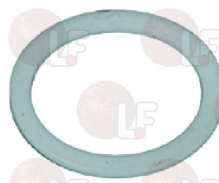
GAGGIA WGA4001094000

**1186983 FLAT GASKET VITON  $\varnothing$  15x7x3 mm**  
for water inlet tap  
for GAGGIA DECO-GE-GD  
for SAECO AROMA  
for Coffee machine (PAVONI) BAR - BART - PUB



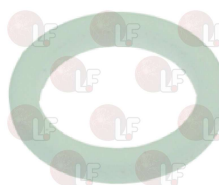
GAGGIA WGA4001092000

**1186661 FLAT TEFLON GASKET  $\varnothing$  13x15.5x1 mm**  
for Coffee machine (BRASILIA) CENTURY - FIRENZE  
GRADISCA - PORTOFINO



GAGGIA 49.90.91.31

**1186404 TEFLON FLAT GASKET  $\varnothing$  18x13x2 mm**



GAGGIA WGA4001077000

Suitable for:

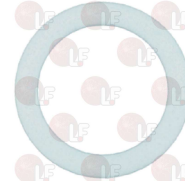
**1186201** **TEFLON FLAT GASKET  $\varnothing$  21x16.8x2 mm**  
for Coffee machine (CARIMALI) ETABETA  
for Coffee machine (RANCILIO) CLASSE10 - EPOCA



GAGGIA

Suitable for:

**1186326** **TEFLON FLAT GASKET  $\varnothing$  22x16x2 mm**  
for Coffee machine (FAEMA) E61  
for Coffee machine (VIBIEMME) CHIMAERA - CUBO  
DOMOBARJUNIOR - DOMOBARSUPER - DOSAPLUS  
EVOLUTION - KOMETA - LOLLO - MERCURY - MINIMAX  
REPLICA - REVOLUTION - SILVER



GAGGIA 49.90.91.34

**1186314** **TEFLON FLAT GASKET  $\varnothing$  22x17x2 mm**  
for Coffee machine (AZKOYEN) AZ04 - BRAVO - VIENNA  
for Coffee machine (VIBIEMME) CHIMAERA - EVOLUTION  
LOLLO - REPLICA - REVOLUTION



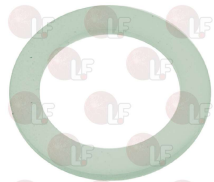
GAGGIA LF-1186245

**1186608** **TEFLON FLAT GASKET  $\varnothing$  50x40x2 mm**  
for heating element



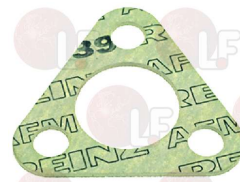
GAGGIA

**1186179** **TEFLON FLAT GASKET  $\varnothing$  57x42x3 mm**  
for heating element



GAGGIA

**1186191** **TRIANGULAR GASKET FOR HEATING ELEMENT**  
free of asbestos  
dimensions 66x66x2 mm - internal hole 30 mm



GAGGIA

**1186584** **TRIANGULAR GASKET FOR HEATING ELEMENT**  
free of asbestos  
dimensions 70x70x2 mm - internal hole  $\varnothing$  40 mm  
for Coffee machine (AZKOYEN) AZ04 - BRAVO - VIENNA



GAGGIA 4027001000

**1186635** **TRIANGULAR GASKET FOR HEATING ELEMENT**  
universal carbo  
dimensions 70x70x2 mm - internal hole  $\varnothing$  40 mm  
for Coffee machine (PAVONI) BAR - BART



GAGGIA 4027001000

**1786006** **TRIANGULAR GASKET FOR HEATING ELEMENT**  
teflon  
dimensions 70x70x2 mm - internal hole  $\varnothing$  40 mm



GAGGIA 4027001000



Suitable for:

# GAGGIA



Suitable for:

## Grinders

**1251146 CERAMIC GRINDING BURRS SAECO (PAIR) LEFT**  
 external  $\varnothing$  48 mm - internal  $\varnothing$  28 mm  
 thickness 6.5 mm  
 for Coffee machine (SAECO) INCANTO - ODEA - PRIMEA  
 TALEA



GAGGIA 146520100

**1251098 CONIC.GRIND.BURRS SAECO-GAGGIA (PAIR) RH**  
 external  $\varnothing$  47.8/31.7 mm - internal  $\varnothing$  28/10 mm  
 thickness 20 mm  
 for Coffee machine (GAGGIA) SYNCRONYCOMPACT  
 SYNCRONYLOGIC - TITANIUM - TITANIUMOFFICE  
 for Coffee machine (SAECO) CAFENOVA - INCANTO  
 ROYAL - ROYALCOFFEEBAR - VIENNA - VSPRESSO



GAGGIA 226477700

**1251199 CONICAL GRIND.BURRS PAIR SAECO-GAGGIA RH**  
 $\varnothing$  external 47.8/31.7 mm -  $\varnothing$  internal 28/10 mm  
 thickness 20 mm  
 for Coffee machine (GAGGIA) SYNCRONYCOMPACT  
 SYNCRONYLOGIC - TITANIUM - TITANIUMOFFICE  
 for Coffee machine (SAECO) CAFENOVA - INCANTO  
 ROYAL - ROYALCOFFEEBAR - VIENNA - VSPRESSO



GAGGIA 226477700

## Handles for filterholder-portafilter

**1241502 FILTER HOLDER HANDLE M10**



GAGGIA

**1241501 FILTER HOLDER HANDLE M12**  
 for Coffee machine (BEZZERA) ELLISSE  
 for Coffee machine (BRASILIA) CENTURY - GRADISCA  
 PORTOFINO  
 for Coffee machine (PAVONI) BAR - BART



GAGGIA

**1241504 FILTER HOLDER HANDLE M12**



GAGGIA

**5047149 FILTER HOLDER KNOB**  
 for Coffee machine (GAGGIA) NEWBABY06  
 NEWBABY06CLASS - NEWBABY06DOSE  
 NEWESPRESSO06DOSE



GAGGIA RE0002

GAGGIA 4332037000

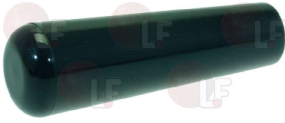


# GAGGIA



Suitable for:

**1241055 FILTER HOLDER KNOB M12**



GAGGIA S371125

Suitable for:

**5047150 FILTER HOLDER KNOB CAP**



GAGGIA RE0015

GAGGIA 4332038000

**1141005 FILTER HOLDER KNOB M10**  
for Coffee machine (GAGGIA) D90 - E90 - GD - GE  
LCD - XD - XE  
for Coffee machine (SAECO) AROMA



GAGGIA WGA8001061000

**1141006 FILTER HOLDER KNOB M10 SOFT**



GAGGIA

GAGGIA LF-5023860

**1141007 FILTER HOLDER KNOB M124 SOFT**



GAGGIA

**5051751 FILTERHOLDER KNOB WHITE M10**



GAGGIA

**5054505 KNOB F.FILTERHOLDER M12 RED POLISHED**



GAGGIA

**1241507 RED FILTER HOLDER HANDLE M12**



GAGGIA

**5054506 RED FILTER HOLDER KNOB M10 POLISHED**



GAGGIA

**5051102 WHITE FILTER HOLDER KNOB M12**



GAGGIA

**1141004 WOODEN FILTER HOLDER HANDLE M10**



GAGGIA

**1141003 WOODEN FILTER HOLDER HANDLE M12**



GAGGIA





Suitable for:

# GAGGIA



Suitable for:

## Heating elements

**1755826 CARTRIDGE HEATING ELEMENT 80W 240V**  
 cartridge  $\varnothing$  12x55 mm  
 for Coffee machine (GAGGIA) GD - GE - LCD - TS  
 XD - XE  
 for Coffee machine (SAECO) AROMA



GAGGIA DM1804/001

GAGGIA WGADM2125/01

**1755166 HEATING ELEMENT 1000W 110V**  
 immersed length 46 mm - 2 poles  
 flange  $\varnothing$  84 mm  
 for Coffee machine (GAGGIA) G105 - G106  
 for Coffee machine (PAVONI) EUROPICCOLA



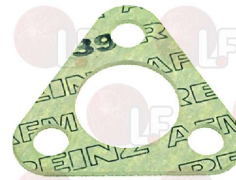
GAGGIA S331334

**1755120 HEATING ELEMENT 1250W 220V**  
 immersed length 325 mm - 2 poles  
 distance between flange holes 45 mm  
 flange 63x63 mm  
 for 2 groups coffee machines



GAGGIA

**1186191 TRIANGULAR GASKET FOR HEATING ELEMENT**  
 free of asbestos  
 dimensions 66x66x2 mm - internal hole 30 mm



GAGGIA

**1755264 HEATING ELEMENT 1500W 230V**  
 immersed depth 125 mm - 2 poles  
 distance between fixing holes 52 mm  
 with bulb sheath - flange 68x68 mm  
 for GAGGIA TS-GEONE-GDONE



GAGGIA ES9190.297.00A

GAGGIA 9190.297.00A

**1186798 O-RING 0146 VITON**



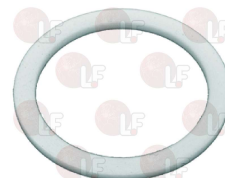
GAGGIA WGADM0041/093

**1755123 HEATING ELEMENT 2000W 220/380V**  
 immersed length 130 mm - 6 poles  
 distance between fixing holes 43 mm  
 flange  $\varnothing$  75/53 mm  
 for coffee machines with 1 group



GAGGIA

**1186608 TEFLON FLAT GASKET  $\varnothing$  50x40x2 mm**  
 for heating element



GAGGIA

**1755265 HEATING ELEMENT 220/240V 4200/5000W**

immersed depth 350 mm - 6 poles  
distance between fixing holes 43 mm  
flange  $\varnothing$  75/60 mm  
for coffee machines 2 groups  
for GAGGIA E90-D90



GAGGIA 9190.262.00A

**1755266 HEATING ELEMENT 240V 6000W**

immersed depth 435 mm - 6 poles  
distance between fixing holes 43 mm  
with bulb sheath - flange  $\varnothing$  75/60 mm  
for coffee machines 3 groups  
for GAGGIA E90-D90



GAGGIA 9190.263.00A

**1755008 HEATING ELEMENT 2500W 220/380V**

immersed length 220 mm - 6 poles  
distance between the holes 51 mm  
flange 68x68 mm  
for Coffee machine (GAGGIA) GD COMPACT  
GE COMPACT  
for Coffee machine (SAECO) AROMA COMPACT



GAGGIA DM1615/220-240

GAGGIA ES9190.271.00A

GAGGIA 11007056

**1186635 TRIANGULAR GASKET FOR HEATING ELEMENT**

universal carbo  
dimensions 70x70x2 mm - internal hole  $\varnothing$  40 mm  
for Coffee machine (PAVONI) BAR - BART



GAGGIA 4027001000

Suitable for:

**1786228 EXEMPT FLAT GASKET  $\varnothing$  61x40x2 mm**

distance between mounting holes 43 mm  
for heating element  
for GAGGIA E90-D90



GAGGIA CA0481

**1786228 EXEMPT FLAT GASKET  $\varnothing$  61x40x2 mm**

distance between mounting holes 43 mm  
for heating element  
for GAGGIA E90-D90



GAGGIA CA0481

**1186584 TRIANGULAR GASKET FOR HEATING ELEMENT**

free of asbestos  
dimensions 70x70x2 mm - internal hole  $\varnothing$  40 mm  
for Coffee machine (AZKOYEN) AZ04 - BRAVO - VIENNA



GAGGIA 4027001000

**1786006 TRIANGULAR GASKET FOR HEATING ELEMENT**

teflon  
dimensions 70x70x2 mm - internal hole  $\varnothing$  40 mm



GAGGIA 4027001000



Suitable for:

# GAGGIA



**1755056 HEATING ELEMENT 4000/4760W 220/240V**  
 immersed length 310 mm - 6 poles  
 distance between the holes 52 mm  
 with bulb sheath - flangia  $\varnothing$  67/58 mm  
 for Coffee machine (GAGGIA) GD - GE - LCD - XD  
 XE  
 for Coffee machine (PAVONI) BAR - BART - HOTEL  
 for Coffee machine (SAECO) AROMA



GAGGIA 11003362

**1186635 TRIANGULAR GASKET FOR HEATING ELEMENT**  
 universal carbo  
 dimensions 70x70x2 mm - internal hole  $\varnothing$  40 mm  
 for Coffee machine (PAVONI) BAR - BART



GAGGIA 4027001000

**1755124 HEATING ELEMENT 4000W 220V**  
 immersed length 347 mm - 6 poles  
 distance between the holes 43 mm  
 flange  $\varnothing$  75/53 mm  
 for coffee machines with 2 groups



GAGGIA

**1755267 HEATING ELEMENT 4760W 240V**  
 immersed length 315 mm - 6 poles  
 distance between mounting holes 53 mm  
 with bulb sheath - flange 68x68 mm  
 for GAGGIA DECO



GAGGIA 11012517

GAGGIA 4027004002

Suitable for:

**1186584 TRIANGULAR GASKET FOR HEATING ELEMENT**  
 free of asbestos  
 dimensions 70x70x2 mm - internal hole  $\varnothing$  40 mm  
 for Coffee machine (AZKOYEN) AZ04 - BRAVO - VIENNA



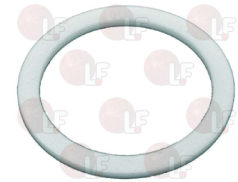
GAGGIA 4027001000

**1786006 TRIANGULAR GASKET FOR HEATING ELEMENT**  
 teflon  
 dimensions 70x70x2 mm - internal hole  $\varnothing$  40 mm



GAGGIA 4027001000

**1186608 TEFLON FLAT GASKET  $\varnothing$  50x40x2 mm**  
 for heating element



GAGGIA

**1186584 TRIANGULAR GASKET FOR HEATING ELEMENT**  
 free of asbestos  
 dimensions 70x70x2 mm - internal hole  $\varnothing$  40 mm  
 for Coffee machine (AZKOYEN) AZ04 - BRAVO - VIENNA



GAGGIA 4027001000



Suitable for:

**1186635 TRIANGULAR GASKET FOR HEATING ELEMENT**  
universal carbo  
dimensions 70x70x2 mm - internal hole  $\varnothing$  40 mm  
for Coffee machine (PAVONI) BAR - BART



GAGGIA 4027001000

**1755268 HEATING ELEMENT 5000/5950W 220/240V**  
immersed length 400 mm - 6 poles  
distance between mounting holes 52 mm  
with bulb sheath - flange 68x68 mm  
for GAGGIA DECO



GAGGIA 4027004003

**1186635 TRIANGULAR GASKET FOR HEATING ELEMENT**  
universal carbo  
dimensions 70x70x2 mm - internal hole  $\varnothing$  40 mm  
for Coffee machine (PAVONI) BAR - BART



GAGGIA 4027001000

**1755125 HEATING ELEMENT 5000W 220/400V**  
immersed length 420 mm - 6 poles  
distance between mounting holes 43 mm  
flange  $\varnothing$  75/53 mm  
for coffee machines with 3 groups



GAGGIA

## GAGGIA



Suitable for:

**1786006 TRIANGULAR GASKET FOR HEATING ELEMENT**  
teflon  
dimensions 70x70x2 mm - internal hole  $\varnothing$  40 mm



GAGGIA 4027001000

**1186584 TRIANGULAR GASKET FOR HEATING ELEMENT**  
free of asbestos  
dimensions 70x70x2 mm - internal hole  $\varnothing$  40 mm  
for Coffee machine (AZKOYEN) AZ04 - BRAVO - VIENNA



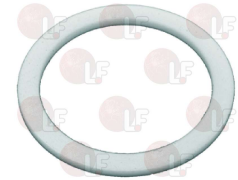
GAGGIA 4027001000

**1786006 TRIANGULAR GASKET FOR HEATING ELEMENT**  
teflon  
dimensions 70x70x2 mm - internal hole  $\varnothing$  40 mm



GAGGIA 4027001000

**1186608 TEFLON FLAT GASKET  $\varnothing$  50x40x2 mm**  
for heating element



GAGGIA



Suitable for:

# GAGGIA



Suitable for:

**1755275 HEATING ELEMENT 5000W 240V**  
 immersed length 345 mm - 6 poles  
 distance between fixing holes 43 mm  
 flange  $\varnothing$  75/60 mm  
 for 2-groups coffee machines  
 for Coffee machine (GAGGIA) D90 - E90



GAGGIA ES9190.261.00A

**1755270 HEATING ELEMENT 5465W 230V**  
 immersed length 400 mm - 6 poles  
 distance between mounting holes 52 mm  
 with bulb sheath - flange 68x68 mm  
 for GAGGIA GE-GD-XE-XD



GAGGIA 11003363

**1186635 TRIANGULAR GASKET FOR HEATING ELEMENT**  
 universal carbo  
 dimensions 70x70x2 mm - internal hole  $\varnothing$  40 mm  
 for Coffee machine (PAVONI) BAR - BART



GAGGIA 4027001000

**1755271 HEATING ELEMENT 6000/7140W 220/240V**  
 immersed length 490 mm - 6 poles  
 distance between mounting holes 52 mm  
 with bulb sheath - flange 68x68 mm  
 for GAGGIA GE-GD



GAGGIA 11003364

**1186584 TRIANGULAR GASKET FOR HEATING ELEMENT**  
 free of asbestos  
 dimensions 70x70x2 mm - internal hole  $\varnothing$  40 mm  
 for Coffee machine (AZKOYEN) AZ04 - BRAVO - VIENNA



GAGGIA 4027001000

**1786006 TRIANGULAR GASKET FOR HEATING ELEMENT**  
 teflon  
 dimensions 70x70x2 mm - internal hole  $\varnothing$  40 mm



GAGGIA 4027001000

**1186584 TRIANGULAR GASKET FOR HEATING ELEMENT**  
 free of asbestos  
 dimensions 70x70x2 mm - internal hole  $\varnothing$  40 mm  
 for Coffee machine (AZKOYEN) AZ04 - BRAVO - VIENNA



GAGGIA 4027001000



Suitable for:

**1186635 TRIANGULAR GASKET FOR HEATING ELEMENT**  
universal carbo  
dimensions 70x70x2 mm - internal hole  $\varnothing$  40 mm  
for Coffee machine (PAVONI) BAR - BART



GAGGIA 4027001000

**1755269 HEATING ELEMENT 7140W 240V**  
immersed length 500 mm - 6 poles  
distance between mounting holes 52 mm  
with bulb sheath - flange 68x68 mm  
for GAGGIA DECO



GAGGIA 4027004004

**1186635 TRIANGULAR GASKET FOR HEATING ELEMENT**  
universal carbo  
dimensions 70x70x2 mm - internal hole  $\varnothing$  40 mm  
for Coffee machine (PAVONI) BAR - BART



GAGGIA 4027001000

**1755251 HEATING ELEMENT 750W 230V**  
immersed length 130 mm - 2 poles  
distance between the holes 45 mm  
flange 63x63 mm  
for coffee machines with 1 group



GAGGIA

# GAGGIA



Suitable for:

**1786006 TRIANGULAR GASKET FOR HEATING ELEMENT**  
teflon  
dimensions 70x70x2 mm - internal hole  $\varnothing$  40 mm



GAGGIA 4027001000

**1186584 TRIANGULAR GASKET FOR HEATING ELEMENT**  
free of asbestos  
dimensions 70x70x2 mm - internal hole  $\varnothing$  40 mm  
for Coffee machine (AZKOYEN) AZ04 - BRAVO - VIENNA



GAGGIA 4027001000

**1786006 TRIANGULAR GASKET FOR HEATING ELEMENT**  
teflon  
dimensions 70x70x2 mm - internal hole  $\varnothing$  40 mm



GAGGIA 4027001000

**1186191 TRIANGULAR GASKET FOR HEATING ELEMENT**  
free of asbestos  
dimensions 66x66x2 mm - internal hole 30 mm



GAGGIA





Suitable for:

# GAGGIA



Suitable for:

**1755050 HEATING ELEMENT 920/1000W 230/240V**  
 immersed length 46 mm - 2 poles  
 flange  $\varnothing$  84 mm  
 for Coffee machine (GAGGIA) G105 - G106  
 for Coffee machine (PAVONI) EUROPICCOLA  
 PROFESSIONAL - ROMANTICA - STRADIVARI



GAGGIA S331335

## Hose-end fittings

**1315008 T-SHAPED HOSE END FITTING  $\varnothing$  8 mm**  
 for Coffee machine (GAGGIA) TS



GAGGIA 147920300

## Injectors

**1501531 NOZZLE  $\varnothing$  8 HOLE  $\varnothing$  0.7 mm**  
 for brew group  
 for Coffee machine (BIANCHI) LUCIA - SOFIA



GAGGIA

**1501570 NOZZLE GROUP**



GAGGIA

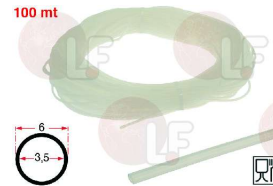
## Inlet hoses

**1449679 SILICONE HOSE  $\varnothing$  3,5x6 SHORE 60 - 10 mt**  
 alimentary



GAGGIA 9972.206

**1449279 SILICONE HOSE  $\varnothing$  3,5x6 SHORE 60 - 100 m**  
 alimentary



GAGGIA 9972.206



# GAGGIA



Suitable for:

**1449683 SILICONE HOSE  $\varnothing$  5x10 SHORE 60 - 10 m**  
alimentary

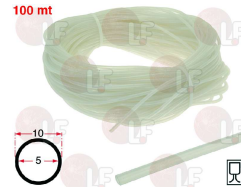


GAGGIA B0159  
GAGGIA DM2106/010  
GAGGIA DY0034  
GAGGIA WGADM2106/005  
GAGGIA WGADM2106/010  
GAGGIA WGADM2106/014  
GAGGIA 16000440

GAGGIA DM2106/007  
GAGGIA DM2106/014  
GAGGIA WGADM2106/001  
GAGGIA WGADM2106/006  
GAGGIA WGADM2106/011  
GAGGIA WGADM2106/015

Suitable for:

**1449283 SILICONE HOSE  $\varnothing$  5x10 SHORE 60 - 100 m**  
alimentary



GAGGIA B0159  
GAGGIA DM2106/010  
GAGGIA DY0034  
GAGGIA WGADM2106/005  
GAGGIA WGADM2106/010  
GAGGIA WGADM2106/014  
GAGGIA 16000440

GAGGIA DM2106/007  
GAGGIA DM2106/014  
GAGGIA WGADM2106/001  
GAGGIA WGADM2106/006  
GAGGIA WGADM2106/011  
GAGGIA WGADM2106/015

GAGGIA DM2106/009  
GAGGIA DM2106/003  
GAGGIA WGADM2106/003  
GAGGIA WGADM2106/007  
GAGGIA WGADM2106/013  
GAGGIA 149361400

**1449682 SILICONE HOSE  $\varnothing$  5x8 SHORE 60 - 10 m**  
alimentary



GAGGIA B0157  
GAGGIA 149360200

**1449282 SILICONE HOSE  $\varnothing$  5x8 SHORE 60 - 100 m**  
alimentary



GAGGIA 149360200

**1449502 TEFLON PIPE  $\varnothing$  4x6 mm - 10 m**  
alimentary



GAGGIA B0195  
GAGGIA DY0022

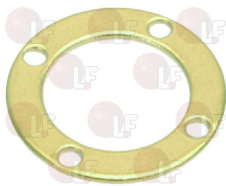
**1449510 WIRE HOSE  $\varnothing$  8.2x4.2 mm SH60 - 5 m**



GAGGIA 16000380

## Ironmongery (screws,nuts,washers)

**1528024 BORED WASHER**  
for brew group



GAGGIA S313002

**3528003 BRASS NUT M4 - 100 PIECES**



GAGGIA S402004

**1528029 BRASS WASHER  $\varnothing$  12x7x1 mm**



GAGGIA S313001

**1186283 BRASS WASHER  $\varnothing$  15x7x2.5 mm.**



GAGGIA



Suitable for:

**1528025 BRASS WASHER  $\varnothing$  17x12x1 mm**



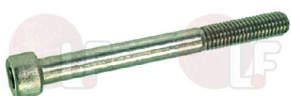
GAGGIA S313003

**1528100 CROSS HEAD SCREW M4x12 UNI 7687**



GAGGIA WGADI7986-4X10I

**1528531 HANDLE SCREW**



GAGGIA

**1755006 NUT  $\varnothing$  1/4"**



GAGGIA WGAND01/016

**1528027 NUT M12**



GAGGIA S313525

# GAGGIA



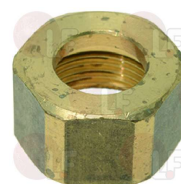
Suitable for:

**1186330 BRASS WASHER  $\varnothing$  6x3x0.5 mm**  
for Coffee machine (FAEMA) E61  
for Coffee machine (VIBIEMME) KOMETA - MERCURY SILVER



GAGGIA

**1528136 GLASS FASTENING NUT  $\varnothing$  1/2" F HOLE 13 mm**  
nut height 14 mm - nut 23 mm  
for GAGGIA GE-GD-DECO  
for SAECO AROMA



GAGGIA WGA4001075000

**3528004 HEXAGONAL SCREW WASHER M4 - 100 PCS**  
 $\varnothing$  7.7x4.4x0.5 mm



GAGGIA S401004

**1348036 NUT  $\varnothing$  3/8" WRENCH 21x6mm**  
for Coffee machine (RENEKA) LC - VIVA - VIVAS XLPALLAS  
for Coffee machine (VIBIEMME) CHIMAERA - CUBO DOMOBAR - DOMOBARJUNIOR - DOMOBARSUPER DOSAPLUS - KOMETA - LOLLO - MERCURY - REPLICAS SILVER



GAGGIA WGAND01/005

GAGGIA 00.90.91.12

**1528621 NUT M8x1**



GAGGIA WGAUN5587-8Z

Suitable for:

**1389001 PIN  $\varnothing$  2x20 mm UNI 1336**  
 for Coffee machine (EXPOBAR) EXPRESSO  
 MINICOMPACT - MONROC  
 for Coffee machine (RENEKA) VIVAS  
 for Coffee machine (VIBIEMME) EVOLUTION - KOMETA  
 MINIMAX - REVOLUTION - SILVER



GAGGIA

**1455034 S/S SCREW T.C.C.E.I M4x10 UNI 5931**



GAGGIA

**1528622 S/S SCREW T.E. M8x16 UNI 5739 DIN 24017**



GAGGIA UN5931-8X16Z

GAGGIA WGADI6921-8X16Z

**1528501 S/STEEL CROSS SCREW M5x12 mm UNI 7689**  
 for Coffee machine (ASTORIA CMA) ARGENTA  
 for Coffee machine (BRASILIA) CENTURY - LADY  
 PORTOFINO  
 for Coffee machine (GAGGIA) D90 - E90



GAGGIA DI7987-5X8I

Suitable for:

**1528135 PIN  $\varnothing$  3.2x32 mm**  
 for GAGGIA GE-GD  
 for SAECO AROMA



GAGGIA IS1234-3.2X32Z

**1184006 S/S SCREW T.C.C.E.I. M4x12 UNI 7984**



GAGGIA WGAUN5931-4X12I

**1348814 S/STEEL COGGED WASHER M4 UNI 8842**



GAGGIA S401005

**1184012 S/STEEL SCREW T.C.C.E.I. M5x10 UNI 5931**



GAGGIA S403210

GAGGIA UN5931-5X12I

GAGGIA UN5931-5X12IF

GAGGIA UN5931-5X12Z

**1528001 SCREW M4x10 UNI 6109**



GAGGIA UNI6107-4X10I

**9528022 SCREW M6x12**  
 head  $\varnothing$  10 mm - overall length 18 mm



GAGGIA UN5931-6X12I



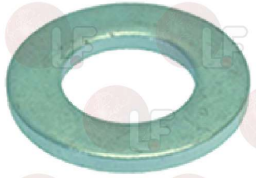
Suitable for:

**3060054 ST. STEEL HEXAGONAL NORM. NUT M10 UNI 5588**



GAGGIA U302.006

**1186043 ZINC-PLATED FLAT WASHER 16x8,5x1,6**



GAGGIA WGAUN6592-8Z

Suitable for:

**1184010 STAINLESS STEEL SCREW M6x10 UNI 9327**



GAGGIA WGAUN5931-6X10I

**1186399 ZINC-PLATED WASHER 30x17x3 mm**



GAGGIA WGAUN6592-17Z

## Knobs

**1241542 BLACK KNOB FOR CONVERTER**  
square hole 5x5 mm



GAGGIA 12000822

**1241561 ELASTIC RING FOR KNOB**  
for Coffee machine (AZKOYEN) AZ04  
for Coffee machine (CIMBALI) M15 - M20 - M27 - M30



GAGGIA

**1241150 INLET TAP LEVER**  
for Coffee machine (GAGGIA) DECO - D90 - E90 - GD  
GE - XD - XE  
for Coffee machine (SAECO) AROMA



GAGGIA WGARB0843

**1241170 KNOB RING NUT**



GAGGIA

**1241415 KNOB RING NUT**



GAGGIA 00.90.91.16

**1241492 KNOB RING NUT**



GAGGIA 81.90.91.12

Suitable for:

**1241417 STEAM SILK SCREEN PRINT. F. HANDLE**  
for Coffee machine (GAGGIA) D90 - E90



GAGGIA WGADM0794/003

GAGGIA 1034.104

Suitable for:

**1241174 STEAM SILK SCREEN PRINTING FOR KNOB**



GAGGIA DM0794/001

**1241159 STEAM TAP KNOB**  
hole for D0-shaped pin  $\varnothing$  8x6.5 mm  
for Coffee machine (GAGGIA) CAREZZA



GAGGIA RE0012

**1241416 STEAM TAP KNOB**  
for Coffee machine (GAGGIA) D90 - E90



GAGGIA

**5038341 STEAM TAP KNOB**  
D-shaped pin hole 6x4.6 mm  
for Coffee machine (GAGGIA) CLASSIC - COFFEEDELUXE  
COFFEE97



GAGGIA CF0189/A

**1241420 WATER INLET SILK SCREEN PRINTING F. HAND**



GAGGIA DM0792/001

**1241494 WATER INLET TAP KNOB**  
for Coffee machine (GAGGIA) D90 - E90



GAGGIA RB0718/01

**1241418 WATER SILK SCREEN PRINTING F. HANDLE**  
for Coffee machine (GAGGIA) D90 - E90



GAGGIA

**1241175 WATER SILK SCREEN PRINTING FOR KNOB**



GAGGIA DM0793/001

**1241176 WATER/STEAM TAP KNOB**  
for Coffee machine (GAGGIA) DECO - D90 - E90 - LCD  
XD - XE



GAGGIA RB0701/A

GAGGIA RB0907/A

GAGGIA 8027044000





Suitable for:

# GAGGIA



Suitable for:

**5027276 WATER/STEAM TAP KNOB**  
hole for square pin 7x7 mm  
for Coffee machine (GAGGIA) GD - GE

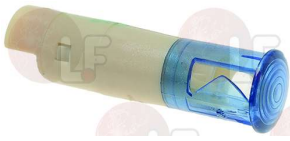


GAGGIA WGA8001028000

GAGGIA 1034.147.050

## Lamps

**1221058 BLUE INDICATOR LIGHT 230 V**  
head  $\varnothing$  10 mm - hole  $\varnothing$  9 mm - T120°C  
for Coffee machine (GAGGIA) DECO



GAGGIA 5027013000

**1221057 GREEN INDICATOR LIGHT 250 V**  
mounting hole 19x13 mm  
for Coffee machine (GAGGIA) LCD - XD - XE



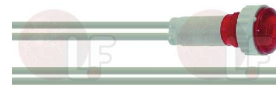
GAGGIA DM2044

**1221038 INDICATOR LIGHT 24V**  
silk-screen printing "power"  
mounting hole 22x27 mm  
for Coffee machine (GAGGIA) NEWBABY



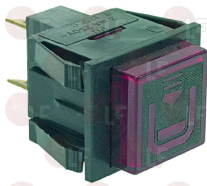
GAGGIA 5301003000

**1221111 RED INDICATOR LAMP 220V**  
head  $\varnothing$  13 mm - hole  $\varnothing$  10 mm  
for Coffee machine (EXPOBAR) MINICOMPACT - MONROC



GAGGIA

**1221253 RED INDICATOR LAMP 250V**  
mounting hole 25x22 mm  
for Coffee machine (GAGGIA) BABY



GAGGIA DM1161/220

**3221284 RED INDICATOR LAMP 250V**  
head  $\varnothing$  10 mm - hole  $\varnothing$  9 mm - 85°C  
for Coffee machine (GAGGIA) TS - XD - XE



GAGGIA 5008005000

**3221407 RED INDICATOR LAMP 250V**  
max temperature 120°C  
mounting hole  $\varnothing$  25 mm  
for Coffee machine (GAGGIA) DECO - GD - GE



GAGGIA WGA5001012000

**1221023 RED INDICATOR LIGHT  $\varnothing$  8 mm**  
flush mounting with fastening plate  
for Coffee machine (CONTI) CLUB - TWIN STAR2  
XEOS2  
for Coffee machine (GAGGIA) GD - GE  
for Coffee machine (SAECO) AROMA



GAGGIA WGA5001010000



## Level balls

**1323415 STAINLESS STEEL BALL  $\varnothing$  11 mm**  
for Coffee machine (FAEMA) EXPRESS - E61 - E64  
E66 - P4 - P6 - SPECIAL - STAR - TRONIC



GAGGIA

**1323003 STAINLESS STEEL BALL  $\varnothing$  8 mm**  
for Coffee machine (CONTI) CLASSICA - CLUB  
TWIN STAR2 - XEOS2  
for Coffee machine (ESSIKA)  
for Coffee machine (FAEMA) E61  
for Coffee machine (VIBIEMME) CHIMAERA - CUBO  
DOSAPLUAS - DOSAPLUS - KOMETA - MERCURY  
MINIMAX - REPLICIA - SILVER



GAGGIA

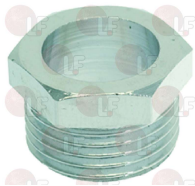
**1323416 STAINLESS STEEL BALL  $\varnothing$  10 mm**  
for Coffee machine (CONTI) CLASSICA - HYDROMATIC  
PISTOMATIC - VOLUTRONIC - XEOS  
for Coffee machine (GAGGIA) D90 - E90



GAGGIA DM0199/004

## Level gauges

**1349070 FITTING  $\varnothing$  3/8" M HOLE  $\varnothing$  12 mm**  
for level glass  
for Coffee machine (GAGGIA) D90 - E90 - XD - XE  
for Coffee machine (VIBIEMME) CUBO - DOSAPLUS  
EVOLUTION - KOMETA - MERCURY - MINIMAX  
REPLICIA - REVOLUTION - SILVER



GAGGIA LF-1786038

GAGGIA LV0505

**1201565 LEVEL GAUGE COVER**  
for Coffee machine (GAGGIA) D90 - E90



GAGGIA 01379/02

**1520100 LEVEL GAUGE GLASS  $\varnothing$  11x140 mm**  
for Coffee machine (GAGGIA) D90 - E90



GAGGIA LV0524

**1520004 LEVEL GLASS  $\varnothing$  11x55 mm**



GAGGIA LV0536



Suitable for:

**1201053 LEVEL GLASS ø 11x95 mm**  
for GAGGIA XE-XD  
for Coffee machine (GAGGIA) XD - XE



GAGGIA LV0541

**1520516 LEVEL GLASS ø 12x135 mm**  
for GAGGIA DECO  
for Coffee machine (BRASILIA) GRADISCA  
for Coffee machine (CIMBALI) M15 - M20 - M25 - M27  
M30  
for Coffee machine (FAEMA) STAR - TRONIC  
for Coffee machine (GAGGIA) DECO  
for Coffee machine (NUOVA SIMONELLI) MACCUP  
OPTIMA



GAGGIA 11006045

**1201016 PROTECTION FOR LEVEL GLASS**  
dimensions 162x26 mm



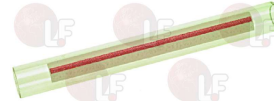
GAGGIA S371134

# GAGGIA



Suitable for:

**1520400 LEVEL GLASS ø 12x106 mm SILK-SCREEN PRIN**  
for Coffee machine (GAGGIA) GD - GE  
for Coffee machine (PAVONI) BAR  
for Coffee machine (SAECO) AROMA



GAGGIA WGA4001060000

**1520007 LEVEL GLASS ø 9x132 mm**



GAGGIA S453101

**1786037 STUFFING GLAND RING ø 15x11.5x3 mm**  
for level glass  
for GAGGIA XE-XD-E90-D90  
for Coffee machine (GAGGIA) D90 - E90



GAGGIA LV0506

## Level regulators

**1341042 LEVEL ADJUSTER RL30/1E/2C/F 230V**  
230/240V 50/60Hz 5A  
for Coffee machine (GAGGIA) GE  
for Coffee machine (SAECO) AROMA



GAGGIA WGADM1940

**1341041 LEVEL CONTROLLER RL 1E/2C/F 230V**  
230V 50/60Hz  
for Coffee machine (GAGGIA) XE



GAGGIA DM1940/02

**1054571 LEVEL REGULATOR RL01E/1S/4C/F 240V**  
 for Coffee machine (ASTORIA CMA) CK - CKX  
 for Coffee machine (GAGGIA) TS  
 for Coffee machine (WEGA) MININOVA



GAGGIA 5008003000

Suitable for:  
**1341304 LEVEL REGULATOR RL30/1E/2C/11 230V**  
 230V 50/60HZ 5A  
 for Coffee machine (GAGGIA) E90



GAGGIA DM0643

**1341307 LEVEL REGULATOR RL40/1E/11 24V**  
 24V 50/60Hz 10A



GAGGIA

## Level sensors

**3341011 LEVEL PROBE  $\varnothing$  1/4" M - 140 mm**  
 for Coffee machine (BIANCHI) LUCIA - SARA  
 for Coffee machine (BRASILIA) CENTURY - PORTOFINO  
 for Coffee machine (CIMBALI) M15 - M20 - M27 - M30  
 for Coffee machine (FUTURMAT-ARIETE) F3  
 for Coffee machine (NUOVA SIMONELLI) MACCUP  
 for Coffee machine (VIBIEMME) CHIMAERA - CUBO  
 DOMOBARJUNIOR - DOMOBARSUPER - DOSAPLUS  
 EVOLUTION - KOMETA - LOLLO - MERCURY - MINIMAX  
 REPLICIA - REVOLUTION - SILVER  
 for Coffee machine (WEGA) AIRY - ANTARES - ATLAS  
 NOVA - ORION - POLARIS



GAGGIA

**1341016 LEVEL PROBE  $\varnothing$  1/4" M - 123 mm**  
 for Coffee machine (GAGGIA) DECO - GD - GE - LCD  
 XD - XE  
 for Coffee machine (SAECO) AROMA



GAGGIA WGADM1935

**1341750 LEVEL PROBE  $\varnothing$  1/4" M - 125 mm**  
 for Coffee machine (ASTORIA CMA) PLUS4YOU



GAGGIA

**1341751 LEVEL PROBE  $\varnothing$  1/4" M - 150 mm**  
 for Coffee machine (BEZZERA) ELLISSE  
 for Coffee machine (CIMBALI) M15 - M20 - M27 - M30  
 for Coffee machine (EXPOBAR) EXPRESSO  
 MINICOMPACT-MOULIN - MINICOMPACT-1GRUPPO  
 MINICOMPACT-2GRUPPI - MONROC - OFFICE  
 for Coffee machine (SAN MARCO) NS85



GAGGIA



Suitable for:

# GAGGIA



Suitable for:

## Lever ball valves

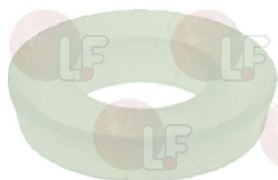
- 3526699 BALL VALVE  $\varnothing$  1/4" MF**  
 for Coffee machine (ASTORIA CMA)  
 for Coffee machine (EXPOBAR) EXPRESSO  
 for Coffee machine (NUOVA SIMONELLI) MACCUP  
 for Coffee machine (SAN MARCO) NS85



GAGGIA WGA5001016000

## Lip seals

- 1186470 LIP SEAL  $\varnothing$  21x11x4.5 mm**



GAGGIA S361006

- 1186700 LIP SEAL  $\varnothing$  23x15x6 mm**



GAGGIA 145842900

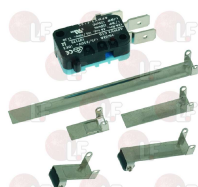
- 1186467 LIP SEAL  $\varnothing$  44x36x5.5 mm**



GAGGIA S361005

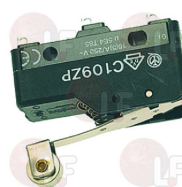
## Microswitches

- 3240407 MECHANICAL MICROSWITCH KIT 16A 250V**  
 3 locking positions  
 the kit includes 5 levers:  
 lever 75 mm - lever 27 mm - lever 15 mm  
 lever 15 mm with wheels - lever 27 mm with wheels



GAGGIA DMA151

- 1240801 MICROSWITCH FOR PUMP C 109 ZP 16A 250V**



GAGGIA

- 3240123 MICROSWITCH 16A 250V**  
 for Coffee machine (SAECO) RIOPROFI - VIAVENEZIA



GAGGIA DM0754

GAGGIA 4931C00061019



## Motors

**1240702 MOTOR RPM WITH CLAMP CONNECTION 165W**  
 model 11002728  
 power 165W 220V 50Hz  
 capacitor 10  $\mu$ f  
 for rotary vane pump  
 for Coffee machine (ASTORIA CMA) ARGENTA - BRAVA  
 COMPACT - DIVINA  
 for Coffee machine (AZKOYEN) AZ04 - VIENNA  
 for Coffee machine (BEZZERA) ELLISSE  
 for Coffee machine (VIBIEMME) CHIMAERA - CUBO  
 DOSAPLUS - EVOLUTION - KOMETA - LOLLO  
 MERCURY - MINIMAX - REPLICA - REVOLUTION  
 SILVER



**1168011 STAINLESS STEEL CLAMP FOR FLANGE PUMP**  
 for Coffee machine (VIBIEMME) CHIMAERA - CUBO  
 DOSAPLUS - EVOLUTION - KOMETA - LOLLO  
 MERCURY - MINIMAX - REPLICA - REVOLUTION  
 SILVER



GAGGIA

**1240368 RPM CLAMP MOTOR 165W**  
 model 11062503  
 power 165W 230V 1.3A 50/60Hz  
 capacitor 8  $\mu$ f  
 with volumetric pump  
 for Coffee machine (GAGGIA) DECO - GD - GE - XD  
 XE



GAGGIA WGA5001017000

GAGGIA 12000843

## Non-return and expansion valves

**1720003 CHECK VALVE**  
 for water inlet tap  
 for GAGGIA DECO-GE-GD  
 for SAECO AROMA



GAGGIA WGA8001072000

**1523068 CHECK VALVE  $\varnothing$  1/8" M-1/8" M**  
 conical fitting  
 for GAGGIA GE-GD  
 for SAECO AROMA



GAGGIA WGA5001015000

**1720004 CHECK VALVE  $\varnothing$  3/8" M-1/4" F**  
 for GAGGIA DECO-TE-TD  
 for SAECO AROMA



GAGGIA WGADM2198

**1720005 EXPANSION VALVE  $\varnothing$  1/4" F-7 mm 11 bar**  
 for GAGGIA DECO-XE-XD-TE-TD-FE2000-FD2000  
 for SAECO AROMA



GAGGIA WGADM0262/003





Suitable for:

# GAGGIA



**1720002 EXPANSION VALVE  $\varnothing$  1/4"M-1/4"M**  
for GAGGIA E90-D90



GAGGIA DM1370

Suitable for:

**1523432 EXPANSION VALVE  $\varnothing$  1/8"M**  
for Coffee machine (GAGGIA) GD - GE - LCD - XD  
XE



GAGGIA WGA5001014000

**1720006 EXPANSION VALVE  $\varnothing$  3/8"M-7 mm 1.9 bar**  
for GAGGIA TS-GEONE-GDONE



GAGGIA 8008016000

**1523701 NON-RETURN VALVE  $\varnothing$  3/8"M-3/8"M**  
for Coffee machine (ASTORIA CMA)  
for Coffee machine (FAEMA) DUEA - E61 - E64 - E66  
E91 - E92 - P4 - P6  
for Coffee machine (PAVONI) BAR - BART - PUB



GAGGIA DM2197

**1523514 NON-RETURN VALVE  $\varnothing$  1/4"F-1/4"M**  
for GAGGIA XE-XD-LCD



GAGGIA 5024001000

**1523035 NON-RETURN VALVE  $\varnothing$  1/4"M-1/4"F**  
for Coffee machine (GAGGIA) GD - GE  
for Coffee machine (SAECO) AROMA



GAGGIA WGADM1232/001

## Nozzles for coffee groups

**5048106 GROUP DIFFUSER M13x1.5**



GAGGIA EF0047/A

**1501565 GROUP SPRAY NOZZLE  $\varnothing$  21 mm M5x1**  
for Coffee machine (FAEMA) COMPACT - DUE - ELITE  
EXPRESS - E61 - E64 - E66 - E91 - P4 - P6



GAGGIA

Suitable for:

Suitable for:

**1501561 GROUP SPRAY NOZZLE ø 30 mm M10x1**  
 for Coffee machine (BRASILIA) GRADISCA  
 for Coffee machine (FAEMA) E61  
 for Coffee machine (PAVONI) BART  
 for Coffee machine (VFA EXPRES) ELITE - MAGESTIC  
 SPLENDOR  
 for Coffee machine (VIBIEMME) CHIMAERA - CUBO  
 DOMOBAR - DOMOBARJUNIOR - DOMOBARSUPER  
 DOSAPLUS - MERCURY - REPLICIA - REVOLUTION  
 for Coffee machine (WEGA) MINI



GAGGIA

## OR and ORM gaskets

**1186480 EPDM O RING 04112**



GAGGIA S465204

**1186252 O-RING R3 EPDM**

for Coffee machine (CONTI) CLUB - XEOS2  
 for Coffee machine (ESSIKA) SK2 - SSK2  
 for Coffee machine (FAEMA) COMPACT - DUE - DUEA  
 EXPRESS - E64 - E66 - E91 - E92 - SPECIAL  
 STAR - SUPERSTAR - SUPERTRONIC - TRONIC



GAGGIA

**1186556 O-RING R6 EPDM**

for Coffee machine (FAEMA) E61  
 for Coffee machine (VIBIEMME) CHIMAERA - CUBO  
 DOMOBAR - DOMOBARJUNIOR - DOMOBARSUPER  
 DOSAPLUS - EVOLUTION - KOMETA - LOLLO  
 MERCURY - MINIMAX - REPLICIA - REVOLUTION  
 SILVER



GAGGIA 49.90.95.20

**1186864 O-RING 0106 RED SILICONE**

for Coffee machine (DELONGHI) ECOV310AZ - EC300M  
 ESAM5400



GAGGIA NM01.028

**1186422 O-RING 0108 EPDM**

for Coffee machine (VIBIEMME) CUBO - DOSAPLUS  
 KOMETA - MERCURY - MINIMAX - REPLICIA - SILVER



GAGGIA 12000931

**1186255 O-RING 0109 EPDM**



GAGGIA



Suitable for:

Suitable for:

**1186304 O-RING 0112 EPDM**



GAGGIA DM0041/081

**1186626 O-RING 0114 EPDM**



GAGGIA DM0041/053

GAGGIA WGADM0041/053

**1186709 O-RING 0115 VITON**



GAGGIA DM0041/106

GAGGIA WGADM0041/106

**1186714 O-RING 0119 VITON**



GAGGIA DM0041/054

**1186591 O-RING 0128 VITON**  
for Coffee machine (VIBIEMME) CUBO - DOMOBAR  
DOMOBARJUNIOR - DOMOBARSUPER - REPLICA



GAGGIA WGADM0041/063

**1186798 O-RING 0146 VITON**



GAGGIA WGADM0041/093

**1186087 O-RING 0152 EPDM**



GAGGIA S465302

**3186454 O-RING 0167 EPDM**  
per caldaia  
for Coffee machine (GAGGIA) CAREZZA - GRANGAGGIA



GAGGIA DM0041/082

**1186641 O-RING 0176 EPDM**  
for boiler  
for boiler  
for boiler  
for Coffee machine (GAGGIA) G105 - G106  
for Coffee machine (PAVONI) EUROPICCOLA  
PROFESSIONAL - ROMANTICA - STRADIVARI



GAGGIA S465225

**1186514 O-RING 02015 SILICON**  
for Coffee machine (CARIMALI) ECO - ETABETA - UNO  
for Coffee machine (GAGGIA) D90 - E90  
for Coffee machine (NUOVA SIMONELLI) MACCUP  
for Coffee machine (SPAZIALE) SELETRON PLUS - S3



GAGGIA 49.90.91.27

GAGGIA 49909127

Suitable for:

**1186900 O-RING 02015 VITON**



GAGGIA WGADM0041/032

**3243139 O-RING 02025 EPDM**



GAGGIA DM0041/088

**1186612 O-RING 02025 VITON**

for Coffee machine (AZKOYEN)  
 for Coffee machine (BEZZERA) ELLISSE  
 for Coffee machine (BRASILIA) CENTURY - PORTOFINO  
 for Coffee machine (CONTI) CLUB - TWIN STAR2  
 XEOS2  
 for Coffee machine (ESSIKA) SK2 - SSK2  
 for Coffee machine (EXPOBAR) EXPRESSO  
 MINICOMPACT - MONROC - OFFICE  
 for Coffee machine (FAEMA) COMPACT - DUE - DUEA  
 EXPRESS - E61 - E91 - E92  
 for Coffee machine (FIORENZATO C.S.) MURANO  
 for Coffee machine (PAVONI) BART  
 for Coffee machine (RANCILIO) EPOCA - S24 - S26  
 S27  
 for Coffee machine (SAN MARCO) 85SPRINT - 95SPRINT



GAGGIA 4906\_C0000036

Suitable for:

**1186755 O-RING 02018 VITON**



GAGGIA WGADM0041/031

**1186611 O-RING 02025 RED SILICONE**

for Coffee machine (AZKOYEN)  
 for Coffee machine (BEZZERA) ELLISSE  
 for Coffee machine (BRASILIA) CENTURY - FIRENZE  
 GRADISCA - PORTOFINO  
 for Coffee machine (CARIMALI) ETABETA  
 for Coffee machine (CONTI) CLUB - TWIN STAR2  
 XEOS2  
 for Coffee machine (ESSIKA) SK2 - SSK2  
 for Coffee machine (EXPOBAR) EXPRESSO  
 MINICOMPACT - MONROC - OFFICE  
 for Coffee machine (FAEMA) COMPACT - DUE - DUEA  
 ELITE - E61 - E91 - E92  
 for Coffee machine (FIORENZATO C.S.) MURANO  
 for Coffee machine (RENEKA) LC - VIVA - VIVAS  
 XLPALLAS



GAGGIA WGADM0041/022

**1186346 O-RING 02043 EPDM**

for Coffee machine (CIMBALI) M15 - M20 - M27 - M30  
 for Coffee machine (RENEKA) VIVA - XLPALLAS



GAGGIA



Suitable for:

**1786232 O-RING 02062 BROWN VITON**



GAGGIA DM0041/107

GAGGIA WGADM0041/107

Suitable for:

**3243266 O-RING 02081 EPDM**



GAGGIA 12000600

**1186318 O-RING 03043 EPDM**

for Coffee machine (ASTORIA CMA) ARGENTA  
for Coffee machine (CIMBALI) M15 - M20 - M27 - M30  
for Coffee machine (CONTI) CLASSICA PMS  
HYDROMATIC - PISTOMATIC - VOLUTRONIC  
for Coffee machine (EXPOBAR) ESPRESSO  
for Coffee machine (FAEMA) COMPACT - EXPRESS  
SPECIAL  
for Coffee machine (GAGGIA) D90 - E90  
for Coffee machine (VIBIEMME) CUBO - DOSAPLUS  
MINIMAX - REPLICA  
for Coffee machine (WEGA) MINI



GAGGIA DM0041/030

**3186181 O-RING 03068 EPDM**



GAGGIA WGADM0041/066

**1186026 O-RING 03081 RED SILICONE**



GAGGIA

**1786233 O-RING 03087 EPDM**

for drain tank  
for GAGGIA DECO-XE-XD-D90-E90-TD-TE-FD2000-FE2000



GAGGIA DM0041/083

**3186247 O-RING 03112 EPDM**



GAGGIA S465128

**1186905 O-RING 04150 RED SILICONE**

for coffee group



GAGGIA

**5008675 ORM GASKET 0060-30 BLACK SILICONE**



GAGGIA 140324362



## Paper seals

**1190001 PAPER SEAL  $\varnothing$  73x59x0.8 mm**  
 for Coffee machine (BRASILIA) GRADISCA  
 for Coffee machine (FAEMA) COMPACT - DUE - EXPRESS  
 E61 - E64 - E66 - E91 - P4 - P6  
 for Coffee machine (GAGGIA) D90 - E90  
 for Coffee machine (PAVONI) BART  
 for Coffee machine (RANCILIO) CLASSE10 - EPOCA  
 for Coffee machine (VFA EXPRES) ELITE - MAGESTIC  
 SPLENDOR  
 for Coffee machine (VIBIEMME) CHIMAERA - CUBO  
 DOMOBAR - DOMOBARJUNIOR - DOMOBARSUPER  
 DOSAPLUS - EVOLUTION - KOMETA - LOLLO  
 MERCURY - MINIMAX - REPLICA - REVOLUTION  
 SILVER  
 for Coffee machine (WEGA) MINI



GAGGIA

**1190002 RUBBER SEAL  $\varnothing$  73x59x1 mm EPDM**  
 for Coffee machine (VIBIEMME) CHIMAERA - CUBO  
 DOMOBAR - DOMOBARJUNIOR - DOMOBARSUPER  
 DOSAPLUS - EVOLUTION - KOMETA - LOLLO  
 MERCURY - MINIMAX - REPLICA - REVOLUTION  
 SILVER



GAGGIA

## Pins

**1324092 FORK PIN**



GAGGIA S314063

**1324159 PIN  $\varnothing$  5x20.5 mm**  
 for water inlet tap lever  
 for Coffee machine (GAGGIA) DECO - GD - GE  
 for Coffee machine (SAECO) AROMA



GAGGIA WGARB0844

**1348112 STEAM TAP PIN**  
 for Coffee machine (GAGGIA) NEWESPRESSO06  
 for Coffee machine (SAECO) NINA - NINABAR



GAGGIA 11001003

**5027689 STEAM TAP PIN**  
 for Coffee machine (PAVONI) EUROPICCOLA  
 PROFESSIONAL - ROMANTICA - STRADIVARI



GAGGIA S3113034

**1324089 STEAM TAP SPINDLE**



GAGGIA WGARB0610/02

**5038097 TAP SHUTTER CONTROL PIN**



GAGGIA WGARB0711





Suitable for:

**1324400 TAP SPINDLE**



GAGGIA WGAR0866/A

# GAGGIA



Suitable for:

**1324158 WATER/STEAM TAP PIN**

for Coffee machine (GAGGIA) DECO - D90 - E90  
FD2000 - FE2000 - GD - GE - TD - TE - TS - XD  
XE  
for Coffee machine (SAECO) AROMA



GAGGIA WGAR0710

## Pipes for coffee machines

**1449122 PRESSURE SWITCH PIPE**

for Coffee machine (GAGGIA) G105 - G106  
for Coffee machine (PAVONI) EUROPICCOLA  
PROFESSIONAL - ROMANTICA - STRADIVARI



GAGGIA S3421128

**5027687 SUCTION PIPE**

fitting  $\varnothing$  8 mm - immersed depth 115 mm  
for GAGGIA G105-G106  
for PAVONI EUROPICCOLA-PROFESSIONAL-ROMANTICA  
STRADIVARI



GAGGIA S326002

## Pressure gauges

**1245071 BOILER PRESSURE GAUGE  $\varnothing$  39 mm 0÷3 bar**

single scale 0÷3 bar - connection  $\varnothing$  1/8" M  
frame  $\varnothing$  44 mm - body  $\varnothing$  39 mm  
for Coffee machine (GAGGIA) TD - TE - TN94 - XD  
XE



GAGGIA DM1600

**1245055 BOILER PRESSURE GAUGE  $\varnothing$  41 mm 0÷3 bar**

single scale 0÷3 bar - fitting  $\varnothing$  1/8" M  
 $\varnothing$  frame 44 mm -  $\varnothing$  body 41 mm  
for Coffee machine (GAGGIA) DECO - D90 - E90 - XD  
XE



GAGGIA 5024005000

**1245056 BOILER PRESSURE GAUGE  $\varnothing$  41 mm 0÷3 bar**

single scale 0÷3 bar - fitting  $\varnothing$  1/8" M  
 $\varnothing$  frame 44 mm -  $\varnothing$  body 41 mm  
for Coffee machine (GAGGIA) TS



GAGGIA DM1600/002

**1245059 BOILER PRESSURE GAUGE  $\varnothing$  49 mm 0÷3 bar**

single scale 0÷3 bar - connection  $\varnothing$  1/8" M  
frame  $\varnothing$  57 mm - body  $\varnothing$  49 mm  
for Coffee machine (GAGGIA) D90 - E90



GAGGIA DM0800/003

Suitable for:

**1245573 BOILER PRESSURE GAUGE  $\varnothing$  49 mm 0÷3 bar**  
single scale 0÷3 bar - connection  $\varnothing$  1/8" M  
rim  $\varnothing$  57 mm - body  $\varnothing$  49 mm  
for Coffee machine (GAGGIA) ELE



GAGGIA

Suitable for:

**1245571 BOILER PRESSURE GAUGE  $\varnothing$  52 mm 0÷3 bar**  
single scale 0÷3 bar - connection  $\varnothing$  1/8" M  
rim  $\varnothing$  62 mm - body  $\varnothing$  52 mm  
for Coffee machine (GAGGIA) ELE



GAGGIA

**1245575 BOILER PRESSURE GAUGE  $\varnothing$  52 mm 0÷3 bar**  
single scale 0÷3 bar - connection  $\varnothing$  1/4" M  
rectangular dial 56x79 mm



GAGGIA

**1245057 BOILER PRESSURE GAUGE  $\varnothing$  63 mm 0÷2.5 bar**  
single scale 0÷0.25 bar - fitting  $\varnothing$  1/8" M  
 $\varnothing$  frame 70 mm -  $\varnothing$  body 63 mm  
for Coffee machine (GAGGIA) GD ONE - GE



GAGGIA 5014001000

**1245801 BOILER-PUMP PRESSURE GAUGE  $\varnothing$  63 mm**  
double scale 0÷2.5/0÷16 bar - connections  $\varnothing$  1/8" M  
rim  $\varnothing$  70 mm - body  $\varnothing$  63 mm  
for Coffee machine (GAGGIA) GD - GE - LCD



GAGGIA WGA5001018000

**1245069 PUMP PRESSURE GAUGE  $\varnothing$  39 mm 0÷15 bar**  
single scale 0÷15 bar - connection  $\varnothing$  1/8" M  
frame  $\varnothing$  44 mm - body  $\varnothing$  39 mm  
for Coffee machine (GAGGIA) TD - TE - XD - XE



GAGGIA DM1599

**1245061 PUMP PRESSURE GAUGE  $\varnothing$  41 mm 0÷15 bar**  
single scale 0÷15 bar - connection  $\varnothing$  1/8" M  
frame  $\varnothing$  44 mm - body  $\varnothing$  41 mm  
for Coffee machine (GAGGIA) DECO - XD - XE



GAGGIA 5024004000

**1245058 PUMP PRESSURE GAUGE  $\varnothing$  49 mm 0÷15 bar**  
single scale 0÷15 bar - connection  $\varnothing$  1/8" M  
frame  $\varnothing$  57 mm - body  $\varnothing$  49 mm  
for Coffee machine (GAGGIA) D90 - E90



GAGGIA DM0801/002

**1245574 PUMP PRESSURE GAUGE  $\varnothing$  49 mm 0÷15 bar**  
single scale 0÷15 bar - connections  $\varnothing$  1/8" M  
rim  $\varnothing$  57 mm - body  $\varnothing$  49 mm  
for Coffee machine (GAGGIA) ELE



GAGGIA

**1245576 PUMP PRESSURE GAUGE  $\varnothing$  52 mm 0÷15 bar**  
single scale 0÷15 bar - connections  $\varnothing$  1/4" M  
rectangular dial 56x79 mm  
for Coffee machine (GAGGIA) ELE



GAGGIA



Suitable for:

# GAGGIA



Suitable for:

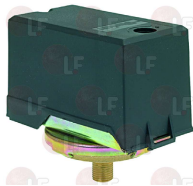
**1245572 PUMP PRESSURE GAUGE  $\varnothing$  52 mm 0÷16 bar**  
 single scale 0÷16 bar - connections  $\varnothing$  1/8" M  
 rim  $\varnothing$  62 mm - body  $\varnothing$  52 mm  
 for Coffee machine (GAGGIA) ELE



GAGGIA

## Pressure switches

**1320541 PRESSURE SWITCH PARKER**  
 fitting  $\varnothing$  1/4"  
 scale 0.5÷1.4 bar  
 differential 0.18÷0.03 bar  
 pressure max 2.1 bar  
 temperature max 140°  
 for Coffee machine (VIBIEMME) CHIMAERA - CUBO  
 DOMOBARSUPER - DOSAPLUS - EVOLUTION - KOMETA  
 LOLLO - MERCURY - MINIMAX - REPLICA  
 REVOLUTION - SILVER



GAGGIA DM0541/P

**1320531 PRESSURE SWITCH P302/6 3-POLES 30A**  
 CE-SEV-ASE-UL approved  
 ISO 228 G connection 1/4" M for pipe  $\varnothing$  4x6 mm  
 adjustable scale 0.5÷1.4 bar  
 fixed differential 0.15 (ÿ 0.06) bar  
 fluid temperature max :140°C  
 max contact load : 220V 7KW (30A)  
 400V 12KW (30A)  
 for Coffee machine (AZKOYEN) AZ04 - BRAVO - VIENNA  
 for Coffee machine (BEZZERA) ELLISSE  
 for Coffee machine (CIMBALI) M15 - M20 - M27 - M30  
 for Coffee machine (FAEMA) COMPACT - DUE - DUEA  
 EXPRESS - E64 - E66 - E91 - E92 - P4 - P6  
 for Coffee machine (RENEKA) VIVAS  
 for Coffee machine (VIBIEMME) CHIMAERA - CUBO  
 DOMOBARSUPER - DOSAPLUS - EVOLUTION - KOMETA



GAGGIA DM0541

GAGGIA WGADM0541

GAGGIA 12001274

**1320022 PRESSURE SWITCH XP110 125 1-2.5 BAR 1/4"**  
 preset at 1.5 bar  
 connection  $\varnothing$  1/4" M - 16A 250V  
 for Coffee machine (GAGGIA) GDCOMPACT - GECOMPACT  
 TS



GAGGIA 5008001000

**1320002 PRESSURE SWITCH 0.5-1.2 BAR 1/4"**  
 connection  $\varnothing$  1/4" M - 16A 250V



GAGGIA S451308

## Pull-through brushes

**1384001 BRUSH FOR COFFEE SHOWER**



GAGGIA WGA5001033000



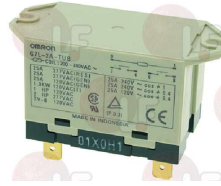
## Relays

**3351158 BASE UNDECAL ES11 10A 400V**  
11 poles



GAGGIA

**1351021 RELAY G7L-2A-TUB 25A 240V**  
for Coffee machine (GAGGIA) GE - XE  
for Coffee machine (SAECO) AROMASM



GAGGIA WGADM2122

## Rotary switches

**3057296 SELECTOR SWITCH 0-3 POSITIONS 32A 690V**  
square pin 5x5 mm  
for Coffee machine (GAGGIA) DECO - GD - GE - TD  
TE - TN94 - XD - XE  
for Coffee machine (PAVONI) BAR  
for Coffee machine (SAECO) AROMA



GAGGIA DM0781

GAGGIA WGADM1944

**1319066 SELECTOR SWITCH 0-3 POSITIONS 36A 660V**  
square pin 5x5 mm  
for Coffee machine (GAGGIA) D90 - E90



GAGGIA DM1267

## Rubberpieces for steam-water taps

**1549020 BURN PREVENTING RUBBERPIECE  $\varnothing$  10 mm**



GAGGIA 4001144000

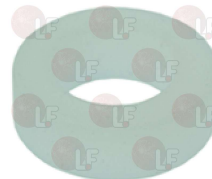
## Seals for level glasses

**1186226 FLAT EPDM GASKET**  
for level glass  
external  $\varnothing$  17.2/13 mm - internal  $\varnothing$  11 mm  
height 9/4 mm  
for Coffee machine (BRASILIA) GRADISCA  
for Coffee machine (CIMBALI) M15 - M20 - M25 - M27  
M30  
for Coffee machine (PAVONI) BART  
for Coffee machine (SPAZIALE) SELETRON PLUS - S3  
for Coffee machine (WEGA) AIRY - ANTARES - ATLAS  
NOVA - ORION - POLARIS



GAGGIA WGA4001076000

**1186469 FLAT SILICONE GASKET  $\varnothing$  15x9x5 mm**  
for level glass



GAGGIA S362020



Suitable for:

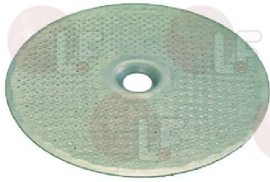
# GAGGIA



Suitable for:

## Shower screens for brew group

**1081022 SHOWER ø 51.5 mm**



GAGGIA

**1081020 SHOWER ø 54 mm**  
for sheathed groups



GAGGIA S327115

**1081058 SHOWER SCREEN ø 49 mm**  
for Coffee machine (PAVONI) ESPRESSOPLUS  
ESPRESSOPLUSLUSSO - ESPRESSOSI/ESG - EUROBAR  
SIMPATICISSIMO - SIMPATICO - SIMPATICONE  
for Coffee machine (SAECO) ARMONIA - AROMA  
MAGICCAPPUCINO



GAGGIA 123741421

**1081063 SHOWER SCREEN ø 54.5 mm**  
for Coffee machine (GAGGIA) CAREZZA - CLASSIC  
EVOLUTION



GAGGIA DM0704

**1081021 SHOWER SCREEN ø 55 mm**  
for Coffee machine (GAGGIA) DECO - D90 - E90 - GD  
GE - LCD - TS - XD - XE  
for Coffee machine (SAECO) AROMA



GAGGIA WGADM0269

**1081016 SHOWER SCREEN ø 60 mm**  
for Coffee machine (BRASILIA) GRADISCA  
for Coffee machine (EXPOBAR) EXPRESSO  
MINICOMPACT - MONROC  
for Coffee machine (FAEMA) COMPACT - DUE - EXPRESS  
E61 - E64 - E66 - E91 - P4 - P6  
for Coffee machine (PAVONI) BART  
for Coffee machine (VFA EXPRES) ELITE - MAGESTIC  
SPLENDOR  
for Coffee machine (VIBIEMME) CHIMAERA - CUBO  
DOMOBAR - DOMOBARJUNIOR - DOMOBARSUPER  
DOSAPLUS - EVOLUTION - KOMETA - LOLLO  
MERCURY - MINIMAX - REPLICIA - REVOLUTION  
for Coffee machine (WEGA) MINI



GAGGIA



## Showerholder diffusers

### 1086509 SHOWER HOLDER DIFFUSER

external  $\varnothing$  57 mm - height 14 mm - hole M5  
for Coffee machine (GAGGIA) DECO - D90 - E90 - GD  
GE - LCD - TS - XD - XE  
for Coffee machine (SAECO) AROMA



GAGGIA WGA16G1002

GAGGIA 16G1002

### 5047151 SHOWER HOLDER SPRAYER

external  $\varnothing$  58 mm - height 14.5 mm - hole M5  
for GAGGIA ACHILLE-BABY86IISERIE-BABY86ISERIE  
CAREZZA-CLASSIC-COFFEE-ESPRESSODELUXE-EVOLUTION  
NEWBABY-NEWBABY06CLASS-NEWBABY06DOSE-NEWBABYDOSATA  
TEBE  
for KITCHENAID 5KES100  
for Coffee machine (GAGGIA) ACHILLE  
BABY86IISERIE - BABY86ISERIE - BABY89  
CAREZZA - CLASSIC - COFFEEDELUXE - COFFEE97  
ESPRESSO - ESPRESSODELUXE - EVOLUTIONESPRESSO  
NEWBABYDOSATA - NEWBABY06 - NEWBABY06CLASS  
NEWBABY06DOSE - PAROS - TEBE  
for Coffee machine (KITCHENAID) 5KES100



GAGGIA DY0036/A

## Solenoid valves

### 3120032 COIL PARKER ZB09 9W 220/240V 50/60Hz

width 34 mm - height 33 mm  
depth 43 mm  
for Coffee machine (ASTORIA CMA)  
for Coffee machine (BEZZERA) ELLISSE  
for Coffee machine (BRASILIA) CENTURY - PORTOFINO  
for Coffee machine (CONTI) CLUB - TWIN STAR2  
XEOS2  
for Coffee machine (ESSIKA) SK2 - SSK2  
for Coffee machine (FAEMA) COMPACT - DUEA  
EXPRESS - E61 - E91  
for Coffee machine (FIORENZATO C.S.) MURANO  
for Coffee machine (PAVONI) BART  
for Coffee machine (RENEKA) LC - VIVA - VIVAS  
XLPALLAS  
for Coffee machine (VIBIEMME)



GAGGIA





Suitable for:

# GAGGIA



Suitable for:

## Solenoid valves

**1120354 2-WAY SOLENOID VALVE PARKER 230V 50/60Hz**  
 VE146NV - fittings  $\varnothing$  1/4"FF - max 10 bar  
 VITON sealing - orifice  $\varnothing$  2.5 mm  
 with coil ZB09 9W 220/230V 50/60Hz  
 fluid temperature -10°C +140°C  
 for Coffee machine (GAGGIA) DECO - GD - GE - XD  
 XE  
 for Coffee machine (SAECO) AROMA



GAGGIA WGADM2115

**3120032 COIL PARKER ZB09 9W 220/240V 50/60Hz**  
 width 34 mm - height 33 mm  
 depth 43 mm  
 for Coffee machine (ASTORIA) CMA  
 for Coffee machine (BEZZERA) ELLISSE  
 for Coffee machine (BRASILIA) CENTURY - PORTOFINO  
 for Coffee machine (CONTI) CLUB - TWIN STAR2  
 XEOS2  
 for Coffee machine (ESSIKA) SK2 - SSK2  
 for Coffee machine (FAEMA) COMPACT - DUEA  
 EXPRESS - E61 - E91  
 for Coffee machine (FIORENZATO C.S.) MURANO  
 for Coffee machine (PAVONI) BART  
 for Coffee machine (RENEKA) LC - VIVA - VIVAS  
 XLPALLAS  
 for Coffee machine (VIBIEMME)



GAGGIA

**1120700 2-WAY SOLENOID VALVE PARKER 230V 50/60Hz**  
 VE146FV - fitting  $\varnothing$  1/8"FF - max 10 bar  
 VITON seal - orifice  $\varnothing$  2.5 mm  
 with coil ZB09 9W 220/230V 50/60Hz  
 fluid temperature -10°C+140°C  
 for Coffee machine (PAVONI) BART  
 for Coffee machine (VFA EXPRES) ELITE - MAGESTIC  
 SPLENDOR



GAGGIA

**3120032 COIL PARKER ZB09 9W 220/240V 50/60Hz**  
 width 34 mm - height 33 mm  
 depth 43 mm  
 for Coffee machine (ASTORIA) CMA  
 for Coffee machine (BEZZERA) ELLISSE  
 for Coffee machine (BRASILIA) CENTURY - PORTOFINO  
 for Coffee machine (CONTI) CLUB - TWIN STAR2  
 XEOS2  
 for Coffee machine (ESSIKA) SK2 - SSK2  
 for Coffee machine (FAEMA) COMPACT - DUEA  
 EXPRESS - E61 - E91  
 for Coffee machine (FIORENZATO C.S.) MURANO  
 for Coffee machine (PAVONI) BART  
 for Coffee machine (RENEKA) LC - VIVA - VIVAS  
 XLPALLAS  
 for Coffee machine (VIBIEMME)



GAGGIA

Suitable for:

**1120243 2-WAYS SOLEN.VALVE PARKER 230V 50/60Hz**  
 VE146V - connections  $\varnothing$  1/4"FF - max 40 bar  
 VITON seal - orifice  $\varnothing$  1.5 mm  
 with coil ZB09 9W 220/230V 50/60Hz  
 fluids temperature -10°C+140°C  
 for Coffee machine (GAGGIA) DECO - D90 - E90 - GD  
 GE - LCD - XD - XE  
 for Coffee machine (SAECO) AROMA



GAGGIA DM1197/220/5060

Suitable for:

**3120032 COIL PARKER ZB09 9W 220/240V 50/60Hz**  
 width 34 mm - height 33 mm  
 depth 43 mm  
 for Coffee machine (ASTORIA) CMA  
 for Coffee machine (BEZZERA) ELLISSE  
 for Coffee machine (BRASILIA) CENTURY - PORTOFINO  
 for Coffee machine (CONTI) CLUB - TWIN STAR2  
 XEOS2  
 for Coffee machine (ESSIKA) SK2 - SSK2  
 for Coffee machine (FAEMA) COMPACT - DUEA  
 EXPRESS - E61 - E91  
 for Coffee machine (FIORENZATO C.S.) MURANO  
 for Coffee machine (PAVONI) BART  
 for Coffee machine (RENEKA) LC - VIVA - VIVAS  
 XLPALLAS  
 for Coffee machine (VIBIEMME)



GAGGIA

**1120339 3-WAY MECHANICAL COMPONENT PARKER**  
 VE128IR - drain  $\varnothing$  1/8" conical - max 10 bar  
 RUBY seal - orifice  $\varnothing$  1.3 mm  
 fluid temperature -30°C+140°C  
 for Coffee machine (BEZZERA) ELLISSE  
 for Coffee machine (CONTI) CLUB - TWIN STAR2  
 XEOS2  
 for Coffee machine (ESSIKA) SK2 - SSK2  
 for Coffee machine (FAEMA) COMPACT - DUEA  
 EXPRESS - E61 - E91 - E92  
 for Coffee machine (FIORENZATO C.S.) MURANO  
 for Coffee machine (PAVONI) BART  
 for Coffee machine (RENEKA) LC - VIVA - VIVAS  
 XLPALLAS  
 for Coffee machine (VIBIEMME) CHIMAERA - CUBO  
 DOMOBARSUPER - DOSAPLUS - EVOLUTION - KOMETA



GAGGIA



Suitable for:

# GAGGIA



Suitable for:

**1120335 3-WAY SOLENOID VALVE PARKER 230V 50/60Hz**  
 VE1281R - drain  $\varnothing$  1/8" conical - max 10 bar  
 RUBY seal - orifice  $\varnothing$  1.3 mm  
 with coil ZB09 9W 220/230V 50/60Hz  
 fluid temperature -30°C+140°C  
 for Coffee machine (BEZZERA) ELLISSE  
 for Coffee machine (BRASILIA) CENTURY - PORTOFINO  
 for Coffee machine (CONTI) CLUB - TWIN STAR2  
 XEOS2  
 for Coffee machine (ESSIKA) SK2 - SSK2  
 for Coffee machine (FAEMA) COMPACT - DUEA  
 EXPRESS - E61 - E91 - E92  
 for Coffee machine (FIORENZATO C.S.) MURANO  
 for Coffee machine (RENEKA) LC - VIVA - VIVAS  
 XLPALLAS



GAGGIA DM0647/S

GAGGIA WGADM0647

**3120032 COIL PARKER ZB09 9W 220/240V 50/60Hz**  
 width 34 mm - height 33 mm  
 depth 43 mm  
 for Coffee machine (ASTORIA) CMA  
 for Coffee machine (BEZZERA) ELLISSE  
 for Coffee machine (BRASILIA) CENTURY - PORTOFINO  
 for Coffee machine (CONTI) CLUB - TWIN STAR2  
 XEOS2  
 for Coffee machine (ESSIKA) SK2 - SSK2  
 for Coffee machine (FAEMA) COMPACT - DUEA  
 EXPRESS - E61 - E91  
 for Coffee machine (FIORENZATO C.S.) MURANO  
 for Coffee machine (PAVONI) BART  
 for Coffee machine (RENEKA) LC - VIVA - VIVAS  
 XLPALLAS  
 for Coffee machine (VIBIEMME)



GAGGIA

**1120339 3-WAY MECHANICAL COMPONENT PARKER**  
 VE1281R - drain  $\varnothing$  1/8" conical - max 10 bar  
 RUBY seal - orifice  $\varnothing$  1.3 mm  
 fluid temperature -30°C+140°C  
 for Coffee machine (BEZZERA) ELLISSE  
 for Coffee machine (CONTI) CLUB - TWIN STAR2  
 XEOS2  
 for Coffee machine (ESSIKA) SK2 - SSK2  
 for Coffee machine (FAEMA) COMPACT - DUEA  
 EXPRESS - E61 - E91 - E92  
 for Coffee machine (FIORENZATO C.S.) MURANO  
 for Coffee machine (PAVONI) BART  
 for Coffee machine (RENEKA) LC - VIVA - VIVAS  
 XLPALLAS  
 for Coffee machine (VIBIEMME) CHIMAERA - CUBO  
 DOMOBARSUPER - DOSAPLUS - EVOLUTION - KOMETA



GAGGIA



Suitable for:

**1120351 3-WAY SOLENOID VALVE PARKER 230V 50/60Hz**  
 VE128GR - drain  $\varnothing$  1/8" cylindrical - max 10 bar  
 RUBY seal - orifice  $\varnothing$  1.3 mm  
 with coil ZB09 9W 220/230V 50/60Hz  
 fluid temperature -30°C+140°C



GAGGIA

Suitable for:

**3120032 COIL PARKER ZB09 9W 220/240V 50/60Hz**  
 width 34 mm - height 33 mm  
 depth 43 mm  
 for Coffee machine (ASTORIA CMA)  
 for Coffee machine (BEZZERA) ELLISSE  
 for Coffee machine (BRASILIA) CENTURY - PORTOFINO  
 for Coffee machine (CONTI) CLUB - TWIN STAR2  
 XEOS2  
 for Coffee machine (ESSIKA) SK2 - SSK2  
 for Coffee machine (FAEMA) COMPACT - DUEA  
 EXPRESS - E61 - E91  
 for Coffee machine (FIORENZATO C.S.) MURANO  
 for Coffee machine (PAVONI) BART  
 for Coffee machine (RENEKA) LC - VIVA - VIVAS  
 XLPALLAS  
 for Coffee machine (VIBIEMME)



GAGGIA

**1120476 3-WAY SOLENOID VALVE PARKER 230V 50/60Hz**  
 VE1282IR - drain  $\varnothing$  1/8" conical - max 10 bar  
 RUBY seal - orifice  $\varnothing$  1.3 mm  
 with coil YB09 9W 220/230V 50/60Hz  
 fluid temperature -30°C+140°C  
 with lever for manual usage



GAGGIA

**1120361 COIL PARKER YB09 220/230V 9W 50/60Hz**  
 width 34 mm - height 32 mm  
 depth 42 mm  
 for Coffee machine (VIBIEMME) CHIMAERA - CUBO  
 DOMOBARSUPER - DOSAPLUS - EVOLUTION - KOMETA  
 LOLLO - MERCURY - MINIMAX - REPLICIA  
 REVOLUTION - SILVER



**1120366 3-WAYS SOLENOID VALVE M&M 230/240V 50Hz**  
 D320 - outlet  $\varnothing$  7 mm - max 18 bar  
 VITON seal  
 coil 7700 18VA 230/240V 50/60Hz  
 for Coffee machine (GAGGIA) BABY - CLASSIC - DANDY



GAGGIA DM1152/001

GAGGIA DM1152/003

GAGGIA DM1645/001



Suitable for:

# GAGGIA



Suitable for:

## Spouts for coffee

**1022061 BLACK SPOUT**  
for Coffee machine (GAGGIA) TITANIUM



GAGGIA 142855450

**1022502 DOUBLE SPOUT ø 3/8"**  
for Coffee machine (ASTORIA CMA) DIVINA  
for Coffee machine (AZKOYEN) AZ04 - VIENNA  
for Coffee machine (BEZZERA) ELLISSE  
for Coffee machine (BRASILIA) CENTURY - GRADISCA PORTOFINO  
for Coffee machine (CIMBALI) M27 - M30  
for Coffee machine (CONTI)  
for Coffee machine (ESSIKA)  
for Coffee machine (FAEMA) COMPACT - DUE - EXPRESS E61 - E64 - E66 - E91 - P4 - P6  
for Coffee machine (GAGGIA) D90 - E90  
for Coffee machine (NUOVA SIMONELLI) MACCUP  
for Coffee machine (PAVONI) BAR - BART - PUB  
for Coffee machine (RANCILIO) EPOCA  
for Coffee machine (SAN MARCO) EUROPA95 - NS85



GAGGIA

**1022506 DOUBLE SPOUT ø 3/8"**  
for Coffee machine (ASTORIA CMA) PLUS4YOU  
for Coffee machine (CONTI) TWIN STAR2  
for Coffee machine (WEGA) CONCEPT



GAGGIA WGA6001023000

**1022524 DOUBLE SPOUT ø 3/8"**  
for Coffee machine (BEZZERA) ELLISSE  
for Coffee machine (BRASILIA) LADY  
for Coffee machine (CONTI) CLUB - TWIN STAR2 XEOS2  
for Coffee machine (ESSIKA) SK2 - SSK2



GAGGIA WGA6301004010

**1022501 SINGLE SPOUT ø 3/8"**  
for Coffee machine (ASTORIA CMA) DIVINA  
for Coffee machine (AZKOYEN) AZ04 - VIENNA  
for Coffee machine (BEZZERA) ELLISSE  
for Coffee machine (BRASILIA) CENTURY - GRADISCA PORTOFINO  
for Coffee machine (CIMBALI) M27 - M30  
for Coffee machine (CONTI)  
since 1/11/03  
TWIN STAR2  
for Coffee machine (FAEMA) COMPACT - DUE - DUEA EXPRESS - E61 - E64 - E66 - E91 - P4 - P6  
for Coffee machine (GAGGIA) D90 - E90  
for Coffee machine (NUOVA SIMONELLI) MACCUP  
for Coffee machine (PAVONI) BAR - BART - PUB  
for Coffee machine (RANCILIO) EPOCA



GAGGIA WGAAS0146/CL

**1022550 SINGLE SPOUT ø 3/8"**



GAGGIA

Suitable for:

Suitable for:

**1022503 STRAIGHT SINGLE SPOUT  $\varnothing$  3/8"**  
 for Coffee machine (BEZZERA) ELLISSE  
 for Coffee machine (BRASILIA) CENTURY - GRADISCA PORTOFINO  
 for Coffee machine (CIMBALI) M27 - M30  
 for Coffee machine (CONTI) CLUB - TWIN STAR2 XEOS2  
 for Coffee machine (ESSIKA) SK2 - SSK2  
 for Coffee machine (FAEMA) COMPACT - DUE - EXPRESS E61 - E64 - E66 - E91 - P4 - P6  
 for Coffee machine (GAGGIA) D90 - E90  
 for Coffee machine (NUOVA SIMONELLI) MACCUP  
 for Coffee machine (RANCILIO) EPOCA  
 for Coffee machine (SAN MARCO) EUROPA95 - NS85  
 for Coffee machine (VFA EXPRES) ELITE - MAGESTIC SPLENDOR

**5031337 1-CUP STRAIGHT SHORT SPOUT  $\varnothing$  3/8"**



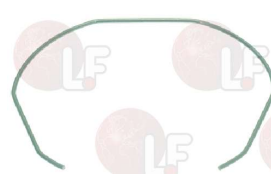
GAGGIA WGA26G0112

GAGGIA

## Springs

**1250333 FILTER BLOCKING SPRING  $\varnothing$  1.3 mm ST.STEEL**

**1250101 FILTER BLOCKING SPRING  $\varnothing$  1,00 mm INOX**  
 for Coffee machine (VIBIEMME) CHIMAERA - CUBO DOMOBAR - DOMOBARJUNIOR - DOMOBARSUPER DOSAPLUS - EVOLUTION - KOMETA - LOLLO MERCURY - MINIMAX - REPLICA - REVOLUTION SILVER



GAGGIA WGA26G0075

GAGGIA 11214301

GAGGIA 18G1514

**1250206 HANDLE SPRING**

**1250510 HANDLE SPRING  $\varnothing$  29x30 mm**



GAGGIA RB0816

GAGGIA

**1250179 HANDLE SPRING  $\varnothing$  34x34 mm**

**1250402 JET SPRING  $\varnothing$  7x28 mm**



GAGGIA

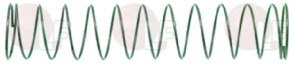
GAGGIA





Suitable for:

**1250202 NON-RETURN VALVE SPRING  $\varnothing$  8x30 mm**  
for Coffee machine (VIBIEMME) CHIMAERA - CUBO  
DOSAPLUS - EVOLUTION - KOMETA - LOLLO  
MERCURY - MINIMAX - REPLICA - REVOLUTION  
SILVER



GAGGIA

**1250534 SPRING  $\varnothing$  12x22 mm**



GAGGIA RB0882

GAGGIA WGARB0882

**1250181 SPRING  $\varnothing$  14.5x28 mm STEAM TAP**  
for Coffee machine (GAGGIA) TELL



GAGGIA 66.90.91.33

**1250417 SWIVEL SPRING  $\varnothing$  26x14 mm**



GAGGIA WGARB0693

**1548003 ARTICULATION FITTING STEAM PIPE**  
for water/steam tap  
for Coffee machine (GAGGIA) D90 - E90



GAGGIA RB0738

# GAGGIA



Suitable for:

**1250549 SPRING  $\varnothing$  11x25 mm**  
for Coffee machine (VIBIEMME) CHIMAERA - CUBO  
DOMOBAR - DOSAPLUS - MERCURY - REPLICA



GAGGIA

**1250536 SPRING  $\varnothing$  13x42 mm**  
for Coffee machine (VIBIEMME) CUBO - DOMOBARJUNIOR  
DOMOBARSUPER - REPLICA



GAGGIA WGA40010890

**1250517 SPRING  $\varnothing$  15.5x29 mm**



GAGGIA

**1250415 TAP SPRING  $\varnothing$  10x32 mm**  
for Coffee machine (VIBIEMME) EVOLUTION - KOMETA  
MINIMAX - REVOLUTION - SILVER



GAGGIA

## Steam taps and spares for coffee mach.

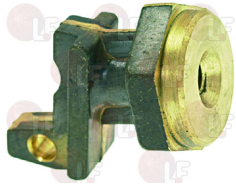
**1348600 COMPLETE STEAM TAP**  
for Coffee machine (GAGGIA) GD - GE



GAGGIA WGA8001027000

Suitable for:

**1225531 INLET LEVER E90 D90**  
for Coffee machine (GAGGIA) D90 - E90



GAGGIA RB0730

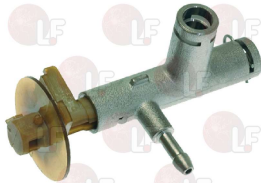
Suitable for:

**1548004 SPRING BUSHING**  
for water tap  
for Coffee machine (GAGGIA) GDONE - GEONE - TS



GAGGIA 4008036000

**1348085 STEAM TAP**  
for Coffee machine (GAGGIA) TITANIUM  
for Coffee machine (SAECO) INCANTO



GAGGIA 0345.R05

GAGGIA 11003733

**1348113 STEAM TAP**  
D-shaped pin 8x6 mm  
for Coffee machine (GAGGIA) CAREZZA



GAGGIA RE0017/A

**1348114 STEAM TAP**  
D-shaped pin  $\varnothing$  6x4.3 mm  
for Coffee machine (GAGGIA) COFFE97 - ESPRESSO  
ESPRESSODELUXE - EVOLUTION



GAGGIA EF0097/A

GAGGIA 11010318

**1348116 STEAM TAP**  
D-shaped pin  $\varnothing$  6x4.3 mm  
for Coffee machine (GAGGIA) BABY89 - BABY91  
NEWBABY - NEWBABYDOSATA



GAGGIA B0153/A

**5038340 STEAM TAP**



GAGGIA EF0045/01/A

GAGGIA 11012628

**1348115 STEAM TAP CASE**  
for Coffee machine (GAGGIA) NEWESPRESSO06



GAGGIA 11007270

**1439026 STEAM TAP EXTENSION**



GAGGIA WGARB0721

**1348366 TAP NUT**



GAGGIA 00.90.91.17



Suitable for:

# GAGGIA



Suitable for:

**1348483 WATER/STEAM TAP**  
for Coffee machine (GAGGIA) DECO - D90 - E90 - LCD  
TS - XD - XE



GAGGIA RB0740/A

## Steam-water pipes coffee machines

**1449174 BALL COUPLING STEAM PIPE**  
for Coffee machine (GAGGIA) NEWBABY06  
NEWESPRESSO06  
for Coffee machine (SAECO) NINA - NINABAR



GAGGIA 4332049000

**1549022 COMPLETE CHROME-PLATED WATER PIPE ø 8 mm**  
for GAGGIA E90-D90



GAGGIA RB0867/A

**1549021 COMPLETE STEAM PIPE ø 10 mm**  
pipe length 275 mm  
for GAGGIA GE-GD-GEONE-GDONE  
for SAECO AROMA



GAGGIA WGA8003013000

GAGGIA WGA8003013010

GAGGIA 11011247

**1549019 COMPLETE STEAM PIPE STAIN.STEEL ø 10 mm**  
pipe length 275 mm  
for GAGGIA DECO



GAGGIA 11006178

**1449848 COMPLETE WATER PIPE**



GAGGIA

**5047887 PLASTIC PANNARELLO**  
length 83 mm  
for GAGGIA CLASSIC-ESPRESSO-ESPRESSODELUXE-NEWBABY  
EVOLUTION-COFFEE97-TS



GAGGIA 8301006000

Suitable for:

**5047884 STAINLESS STEEL STEAM SPRINKLER**  
length 82 mm  
for Coffee machine (GAGGIA) ACHILLE  
SYNCRONYDIGITALCOMPACTSILVER  
SYNCRONYDIGITALSILVER - TITANIUMSILVER



GAGGIA 227431321

Suitable for:

**1449337 STEAM NOZZLE**



GAGGIA

**1449846 STEAM PIPE COMPLETE**  
for Coffee machine (GAGGIA) TELL



GAGGIA 41.90.91.12

**1449847 STEAM PIPE COMPLETE**  
for Coffee machine (GAGGIA) XD - XE



GAGGIA

**1549018 STEAM PIPE COMPLETE  $\varnothing$  6 mm**  
for GAGGIA TS



GAGGIA 7008003000

**1549017 STEAM PIPE COMPLETE  $\varnothing$  8 mm**  
pipe development 360 mm  
for GAGGIA E90-D90



GAGGIA RB0856/A

**1449317 WATER PIPE NOZZLE**



GAGGIA WGA5001005000

**1449332 WATER PIPE NOZZLE**  
for GAGGIA DECO  
for BIANCHI HORECA SOFIA  
for Coffee machine (ORCHESTRALE) ETNICA - PHONICA  
for Coffee machine (VIBIEMME) DOSAPLUS - LOLLO  
MERCURY - REPLICA



GAGGIA 11004974



Suitable for:

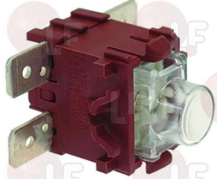
# GAGGIA



Suitable for:

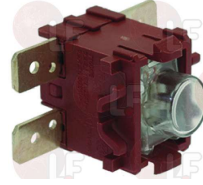
## Switches

**1319319 BIPOLAR SWITCH 16A 250V**  
with indicator light  
for Coffee machine (GAGGIA) NEWBABY06



GAGGIA 5332002000

**1319377 BIPOLAR SWITCH 16A 250V**  
with indicator light  
for Coffee machine (GAGGIA) NEWBABY06  
for Coffee machine (SAECO) VIAVENEZIA



GAGGIA 5332003000

**1319542 BIPOLAR SWITCH 16A 250V**  
square pin 6x6 mm - button block 13x19 mm  
for coffee delivery  
for Coffee machine (GAGGIA) GD - GE  
for Coffee machine (SAECO) AROMA



GAGGIA WGA5001001000

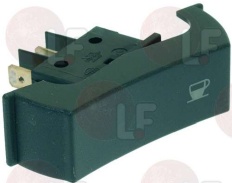
GAGGIA 12001020

**1319329 BLACK BIPOLAR SWITCH 16A 120/230V**  
silk-screen printing "steam"  
mounting hole 11x27 mm  
for Coffee machine (GAGGIA) CAREZZA



GAGGIA DM1884/01

**1319380 BLACK BIPOLAR SWITCH 16A 120/230V**  
silk-screen printing "cup"  
mounting hole 11x27 mm  
for Coffee machine (GAGGIA) CAREZZA



GAGGIA DM1883/01

**1319318 BLACK BIPOLAR SWITCH 16A 250V**  
silk-screen printing "cup"  
mounting hole 11x27  
for Coffee machine (GAGGIA) COFFEE97



GAGGIA DM1913/01

**1319376 BLACK BIPOLAR SWITCH 16A 250V**  
silk-screen printing "on-off"  
hole  $\varnothing$  20 mm  
for Coffee machine (GAGGIA) NEWBABY06  
NEWESPRESSO06  
for Coffee machine (SAECO) AROMA - NINA - NINABAR



GAGGIA 5332004000

**1319382 BLACK BIPOLAR SWITCH 16A 250V**  
silk-screen printing "0-1"  
mounting hole 13x27 mm  
for Coffee machine (GAGGIA) DECO - SYNCRONY  
TITANIUM  
for Coffee machine (SAECO) INCANTO - MAGICCOMFORT  
ROYAL - SYNTIA



GAGGIA NE03.038

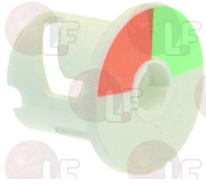
Suitable for:

**3319920 BLACK TWO-POLE SWITCH 16A 250V**  
for Coffee machine (GAGGIA) XE



GAGGIA 5024008000

**3319646 GREEN/ORANGE CAM**



Suitable for:

**3319923 BLACK/RED CAM**



**1319550 CHROME-PLATED PUSH-BUTTON**  
for Coffee machine (GAGGIA) GD - GE



GAGGIA 6001024000

**1319549 CHROME-PLATED PUSH-BUTTON ø 21 mm**  
for Coffee machine (GAGGIA) DECO



GAGGIA 5027015000

**1319578 CHROME-PLATED PUSH-BUTTON**  
for Coffee machine (GAGGIA) GD  
for Coffee machine (SAECO) AROMASE



GAGGIA WGA6003016000

**1319548 CHROME-PLATED SUPPORT**  
for Coffee machine (GAGGIA) DECO



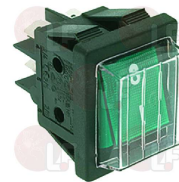
GAGGIA 5027014000

**1319330 DOUBLE BLACK SWITCH 16A 120/230V**  
with one green led indicator light  
silk-screen printing "steam"  
silk-screen printing "coffee"  
mounting hole 22x30 mm  
for Coffee machine (GAGGIA) ESPRESSO  
ESPRESSODELUXE



GAGGIA DM1477

**3319012 GREEN BIPOLAR SWITCH 16A 250V**  
with indicator light and switch cover  
screen printing 0 - I  
max temperature 120°C  
mounting hole 22x30 mm



GAGGIA 4931C00061001



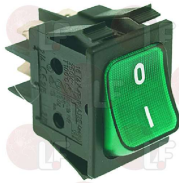


Suitable for:

# GAGGIA



**3319944 GREEN BIPOLAR SWITCH 16A 250V**  
with indicator light  
0-I silk-screen printing  
temperature max 120°C  
mounting hole 22x30 mm



GAGGIA S435061

Suitable for:

**1319379 GREY BIPOLAR SWITCH 16A 250V**  
with indicator light  
silk-screen printing "steam"  
mounting hole 22x27 mm  
for Coffee machine (GAGGIA) NEWBABY



GAGGIA 5301004020

**1319381 MONOPOLAR SWITCH 16A 120/230V**  
for Coffee machine (GAGGIA) NEWESPRESSO06



GAGGIA 5337002000

**3319934 ORANGE BIPOLAR SWITCH 16A 250V**  
with indicator lamp  
0-1 silk-screen printing  
max temperature 120°C  
mounting hole 22x30 mm



GAGGIA

**1319530 PUSH-BUTTON PANEL 2 BUTTONS**  
for Coffee machine (GAGGIA) DECO



GAGGIA 8027063000

**1319067 PUSH-BUTTON PANEL 5 BUTTONS**  
for Coffee machine (GAGGIA) XD



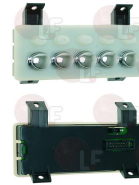
GAGGIA DM1878

**1319528 PUSH-BUTTON PANEL 5 BUTTONS**  
for Coffee machine (GAGGIA) XD



GAGGIA WGA8003007000

**1319529 PUSH-BUTTON PANEL 5 BUTTONS**  
for Coffee machine (GAGGIA) GD



GAGGIA 8001051000

**1319538 PUSH-BUTTON PANEL 5 BUTTONS**  
for Coffee machine (GAGGIA) DECO



GAGGIA 8027061000

**1319579 PUSH-BUTTON PANEL 5 BUTTONS**  
for Coffee machine (GAGGIA) D90 - XD



GAGGIA DM1877

Suitable for:

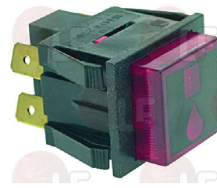
**1319562 PUSH-BUTTON SUPPORT**  
for Coffee machine (GAGGIA) GD - GE  
for Coffee machine (SAECO) AROMA



GAGGIA WGA400108000

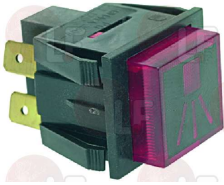
Suitable for:

**1319251 RED BIPOLAR PUSH BUTTON 16A 250V**  
with indicator lamp  
silk-screen printing "water"  
mounting hole 22x27 mm  
for Coffee machine (GAGGIA) BABY - DANDY



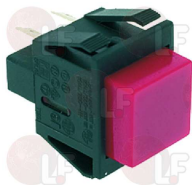
GAGGIA DM1172/220

**1319252 RED BIPOLAR PUSH BUTTON 16A 250V**  
with indicator lamp  
silk-screen printing "steam"  
mounting hole 22x27 mm  
for Coffee machine (GAGGIA) BABY - DANDY



GAGGIA DM1160/220

**3319421 RED BIPOLAR PUSH BUTTON 16A 250V**  
mounting hole 22x27 mm



GAGGIA

**3319532 COVER FRAME**



**3319530 PUSH-BUTTON PROTECTION CAP**

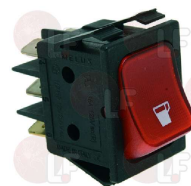


**1319128 RED BIPOLAR SWITCH 16A 250V**  
with green indicator lamp  
mounting hole 22x30 mm



GAGGIA S435063

**1319527 RED BIPOLAR SWITCH 16A 250V**  
with independent indicator lamp  
silkscreen "cup"  
mounting hole 22x30 mm  
for Coffee machine (GAGGIA) E90 - TE - TS - XE



GAGGIA DM1362/RO



Suitable for:

# GAGGIA



Suitable for:

## 3319016 RED BIPOLAR SWITCH 16A 250V

with indicator lamp  
silk-screen print 0 - I  
max temperature 120°C  
mounting hole 22x30 mm  
for Coffee machine (GAGGIA) TS



GAGGIA 5008002000

## 3319948 RED BIPOLAR SWITCH 16A 250V

with indicator lamp  
max. temperature 120°C  
mounting hole  $\varnothing$  25 mm  
for Coffee machine (GAGGIA) DECO - GD - GE - XD  
XE  
for Coffee machine (VIBIEMME) DOMOBAR - DOSAPLUS  
KOMETA - MERCURY - SILVER



GAGGIA DM2104

GAGGIA WGADM2104

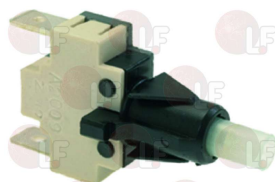
## 3319151 SWITCH PROTECTION CAP

$\varnothing$  external 34 mm  
for push-buttons with mounting hole  $\varnothing$  25 mm



## 1319082 SINGLE-POLE PUSH BUTTON 16A 250V

for Coffee machine (GAGGIA) DECO - XD - XE  
for Coffee machine (SPINEL) LOLA - LOLITA  
PINOCCHIO



GAGGIA 12000723

GAGGIA 5024003000

## 1319547 SINGLE-POLE PUSH-BUTTON 16A 250V

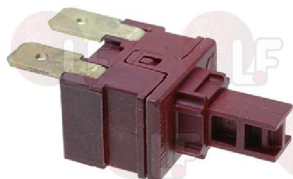
square pin 6x6 mm - button block 13x19 mm  
for coffee delivery  
for Coffee machine (GAGGIA) GD  
for Coffee machine (SAECO) AROMA



GAGGIA WGA5001009000

## 1319544 SINGLE-POLE SWITCH 16A 250V

square pin 6x6 mm - button block 13x19 mm  
for coffee delivery  
for Coffee machine (GAGGIA) EVOLUTION - GE  
VIVAGAGGIA  
for Coffee machine (SAECO) AROMA



GAGGIA WGA5302001000

Suitable for:

**3319921 SINGLE-POLE SWITCH 16A 250V**  
for Coffee machine (GAGGIA) XE  
for Coffee machine (GRIMAC) DADAVAPORDOUBLE



GAGGIA 5024006000

Suitable for:

**3319923 BLACK/RED CAM**



**1319035 WHITE BIPOLAR SWITCH 16A 250V**  
silk-screen printing "coffee cup"  
mounting hole 22x30 mm



GAGGIA

**3319157 YELLOW MOMENTARY SWITCH 250V**  
with indicator lamp  
mounting hole 22x30 mm



GAGGIA

**1319323 3-BUTTON PANEL 16A 250V**  
for Coffee machine (GAGGIA) CLASSIC



GAGGIA DM1475

**1319383 6-BUTTON PANEL**  
for Coffee machine (GAGGIA) NEWBABY06TWIN



GAGGIA 8332030000

## Tampers for coffee

**1385002 NYLON COFFEE TAMPER  $\varnothing$  50/57 mm**



GAGGIA WGA2PR/1

**1385000 NYLON TAMPER  $\varnothing$  50/52 mm**



GAGGIA 2PR/1

## Terminal blocks

**3247009 6-POLE TERMINAL BLOCK FV122/B 40A 600V**  
for cable max 6 mm<sup>2</sup>  
operating temperature 150°C  
nominal voltage 450 V



GAGGIA DM1371

GAGGIA WGADM1930

GAGGIA WGADM1931



Suitable for:

# GAGGIA



Suitable for:

## Terminals

**3120034 FEMALE LARGE CONNECTOR**  
for coils



GAGGIA

## Thermostats

**1444048 SINGLE-PHASE THERMOSTAT 153°C**  
covered capillary 860 mm  
bulb  $\varnothing$  6x78 mm  
for Coffee machine (GAGGIA) TS



GAGGIA 5008006000

**3444442 THREE-PHASE THERMOSTAT 170°C**  
with manual reset  
covered capillary 880 mm  
bulb  $\varnothing$  6x88 mm  
for Coffee machine (GAGGIA) GD - GE - LCD - XD  
XE  
for Coffee machine (SAECO) AROMA



GAGGIA 5024007000

## Vibrating pumps

**1349651 PIPETTE FITTING 90°**  
SANTOPRENE  
internal pump connection  $\varnothing$  6 mm  
hose-end fitting  $\varnothing$  7.5 mm  
for Coffee machine (EXPOBAR) EXPRESSO  
MINICOMPACT - MONROC - OFFICE



GAGGIA B0095

GAGGIA DM1596

GAGGIA 147920150

GAGGIA PA1051

**1331023 SQUARE DAMPER EX-EP-EK-EA**  
for Coffee machine (VIBIEMME) DOMOBAR  
DOMOBARJUNIOR - DOMOBARSUPER



GAGGIA WGADY0003

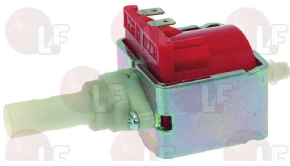
Suitable for:

**1391001 SUPPORT 23036 L MODEL**  
support for pump fixing



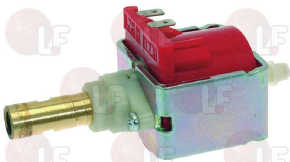
GAGGIA

**1122738 VIBRATORY PUMP EP5 48W 24V 50/60Hz**  
fittings  $\varnothing$  1/8" -  $\varnothing$  6 mm  
pressure max 15 bar  
water temperature max 20°C  
integrated diode (1N 4007P)  
lead connector 6.3x0.8 mm



GAGGIA

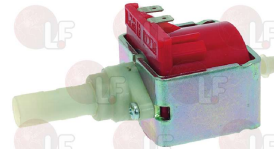
**1122735 VIBRATORY PUMP EX5 48W 230V 50Hz**  
fittings  $\varnothing$  1/8" -  $\varnothing$  6 mm  
pressure max 15 bar  
water temperature max 20°C  
integrated diode (1N 4007P)  
lead connector 6.3x0.8 mm  
for Coffee machine (EXPOBAR) EXPRESSO  
MINICOMPACT - MONROC - OFFICE  
for Coffee machine (VIBIEMME) DOMOBAR  
DOMOBARJUNIOR - DOMOBARSUPER



GAGGIA

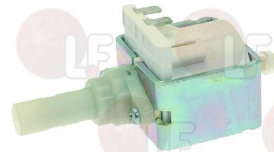
Suitable for:

**1122737 VIBRATORY PUMP EP5 48W 230V 50Hz**  
fittings  $\varnothing$  1/8" -  $\varnothing$  6 mm  
pressure max 15 bar  
water temperature max 20°C  
integrated diode (1N 4007P)  
lead connector 6.3x0.8 mm  
for Coffee machine (DELONGHI) ECOV310AZ - EC155  
EC300M - ESAM5400 - ESAM5400EX  
for Coffee machine (SPINEL) DUELUX - MINIMINILUX  
PINOCCHIO - TOUR - UNOLUX



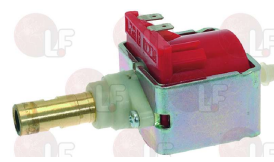
GAGGIA DM1594/230240

**1331026 VIBRATORY PUMP EP5GW 48W 230V 50Hz**  
countersunk fitting  $\varnothing$  1/8" -  $\varnothing$  6 mm  
max. pressure 15 bar  
max water temperature 20°C  
integrated diode (1N 4007P)  
lead connection 6.3x0.8 mm  
for Coffee machine (ASTORIA CMA) ARGENTA - BRAVA  
COMPACT - DIVINA  
for Coffee machine (SAECO) INCANTO - ODEA - PRIMEA  
SYNTIA - TALEA - VIENNA



GAGGIA 12000140

**1122736 VIBRATORY PUMP EX5 48W 24V 50/60Hz**  
fittings  $\varnothing$  1/8" -  $\varnothing$  6 mm  
pressure max 15 bar  
water temperature max 20°C  
integrated diode (1N 4007P)  
lead connector 6.3x0.8 mm



GAGGIA



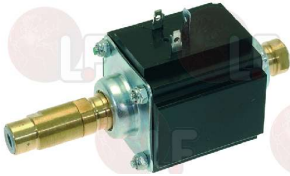


Suitable for:

# GAGGIA



**1331001 VIBRATORY PUMP FLUID-O-TECH 50W 240V**  
 208/240V 50/60Hz - fittings  $\varnothing$  1/8"  
 without by-pass  
 for Coffee machine (ASTORIA CMA) ARGENTA - BRAVA  
 COMPACT - DIVINA



GAGGIA

**1391001 SUPPORT 23036 L MODEL**  
 support for pump fixing



GAGGIA

**1122741 VIBRATORY PUMP INVENSYS/ARS**  
 65W 230V 50Hz  
 connections  $\varnothing$  1/8"  
 built-in diode  
 for Coffee machine (SPINEL) DUELUX - DUETTO  
 DUETTOLUX - ESSE - ESSELUX - FLAVIA - LOLA  
 LOLITA - MINIMINI - MINIMINILUX - PINOCCHIO  
 RODOLUX - RONDO - TOUR - TRELUX - UNOLUX



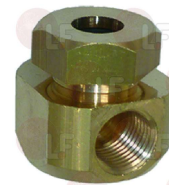
GAGGIA 187721758

Suitable for:

**1030001 CONNECTOR FEMALE LARGE**  
 for vibratory pump fluid o tech  
 with built-in diode  
 cable length 550 mm.



**1349652 90° FITTING  $\varnothing$  1/8 F**



GAGGIA

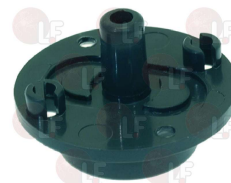
## Water containers for OCS HORECA

**1186844 GASKET GREY COVER**  
 for water tank receiver connection  
 external  $\varnothing$  35 mm - internal  $\varnothing$  15 mm  
 for Coffee machine (SAECO) INCANTO - OFFICEONE  
 VIENNA



GAGGIA 0701.031.150

**5029644 GASKET HOLDER**  
 for water container

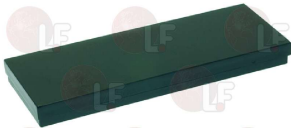


GAGGIA 0701.014.150

Suitable for:

Suitable for:

**1080115 WATER TANK LID BLACK**  
 dimensions 196x74 mm  
 for Coffee machine (GAGGIA) TS  
 for Coffee machine (SAECO) AROMA



GAGGIA 142802050

## Water filling taps

**1358005 COMPLETE WATER INLET TAP**  
 for Coffee machine (GAGGIA) GD - GE - XD - XE  
 for Coffee machine (SAECO) AROMA



GAGGIA WGA8001033000

GAGGIA 8024029000

**1358006 COMPLETE WATER INLET TAP**  
 for Coffee machine (GAGGIA) DECO



GAGGIA 11006180

**1358007 NUT FOR INLET TAP LEVER**  
 for Coffee machine (GAGGIA) DECO - D90 - E90  
 FD2000 - FE2000 - GD - GE



GAGGIA RB0642

## Water softeners and accessories

**3010303 WATER SOFTENER FOR OCS NICAL 125**  
 scale/weed preventing system ideal for machines  
 with inlet pipes  
 with weak cation resin  
 operating range 18°F 22L  
 operating range 27°F 16L  
 operating range 45°F 9L  
 dimensions  $\varnothing$  40x80 mm - from 0°C to 40°C  
 for COFFEE MACHINES/COFFEE POD/DISPENSERS OCS  
 for Coffee machine (EXPOBAR) OFFICE



GAGGIA LF-3010304

*The data herewith contained may change without notice and LF SpA cannot be held responsible for possible errors stated or resulting by the use of this document. All rights reserved. No part of this publication may be reproduced without written permission by LF SpA.*



**LF SpA**  
via Voltri, 80 - 47522 Cesena (FC) ITALIA  
Tel. +39 0547 34 11 11 - Fax +39 0547 34 11 10  
[www.lfircambi724.it](http://www.lfircambi724.it) - [www.lfircambi724.mobi](http://www.lfircambi724.mobi)  
[info@lfircambi.it](mailto:info@lfircambi.it)  
Export Dept.: Tel. +39 0547 34 11 50 - Fax: +39 0547 34 11 55  
[www.lfspareparts724.com](http://www.lfspareparts724.com) - [www.lfspareparts724.mobi](http://www.lfspareparts724.mobi)  
[export@lfspareparts.com](mailto:export@lfspareparts.com)

**FRANCE**



**EPGC Sas**  
13, Rue des Forts - 59960 Neuville en Ferrain  
Tél. +33 (0)3 20 25 06 21  
Fax +33 (0)3 20 25 34 12  
[www.epgc.com](http://www.epgc.com)  
[www.epgc724.mobi](http://www.epgc724.mobi)  
[epgc@epgc.com](mailto:epgc@epgc.com)

**DEUTSCHLAND**



**LF GmbH**  
Junkersstrasse, 1 - D-82178 Puchheim - München  
Tel. +49 89 89 45 78 66  
Fax +49 89 89 45 78 88  
[www.lfersatzteile724.de](http://www.lfersatzteile724.de)  
[www.lfersatzteile724.mobi](http://www.lfersatzteile724.mobi)  
[info@lfersatzteile.de](mailto:info@lfersatzteile.de)

**SCHWEIZ**



**LF GmbH Verkaufsbüro**  
Sennweidstrasse, 45 - CH-6312 Steinhausen  
Tel. +41 (0)41 760 15 80-1  
Fax +41 (0)41 760 15 85  
[www.lfersatzteile724.ch](http://www.lfersatzteile724.ch)  
[www.lfersatzteile724.mobi](http://www.lfersatzteile724.mobi)  
[info@lfersatzteile.ch](mailto:info@lfersatzteile.ch)

**ESPAÑA**



**LF Repuestos Horeca S.L.U.**  
Calle Ciudad Real, 10 - 45517 Escalonilla - Toledo  
Tif. +34 91 477 91 00  
Fax +34 91 477 90 81  
[www.lfrepuestos724.es](http://www.lfrepuestos724.es)  
[www.lfrepuestos724.mobi](http://www.lfrepuestos724.mobi)  
[info@lfrepuestos.es](mailto:info@lfrepuestos.es)

**UNITED KINGDOM**



**LF Spare Parts Ltd.**  
A10a Lakeside Business Park, Broadway Lane  
South Cerney, Gloucestershire GL7 5XL  
Tel. +44 (0)1285 86 16 25  
Fax +44 (0)1285 86 39 49  
[www.lfspareparts724.co.uk](http://www.lfspareparts724.co.uk)  
[www.lfspareparts724.mobi](http://www.lfspareparts724.mobi)  
[info@lfspareparts.co.uk](mailto:info@lfspareparts.co.uk)

**RUSSIA**



**OOO LF**  
ul, Anatoliya Zhivova, 8 - office 1 - 123100 Moscow  
Tel. +7 499 259 85 75  
Fax +7 495 725 26 53  
[www.lfspareparts724.ru](http://www.lfspareparts724.ru)  
[www.lfspareparts724.mobi](http://www.lfspareparts724.mobi)  
[info@lfspareparts.ru](mailto:info@lfspareparts.ru)

**CHINA**



**LF China**  
Room 102, House 8, Lane 725, Mao Tai Rd.  
Changning Dist. - 200336 Shanghai  
Tel. +86 (0)21 33 53 66 31  
Fax +86 (0)21 33 53 66 32  
[www.lfspareparts724.com](http://www.lfspareparts724.com)  
[www.lfspareparts724.mobi](http://www.lfspareparts724.mobi)  
[china@lfspareparts.com](mailto:china@lfspareparts.com)